

Now you can install and adjust doors & windows quicker and easier than ever before. Truth's Jamb Jacks are a specially designed fastening system for mounting door & window frames into rough openings. Jamb Jacks replace the shims used to square the window or door in the rough opening.

FASTER INSTALLATION

Using the unique adjustable "screws" (Jamb Jacks) a single unit can be installed without shims in just minutes.

SIMPLE ADJUSTMENT

Jamb Jacks provide quick and precise window and door adjustment at the time of installation and when future problems develop caused by foundation settlement. No more need to tear apart a door or window to re-shim it. By simply turning the Jamb Jack screws all necessary adjustments can easily be made while the unit is in place.

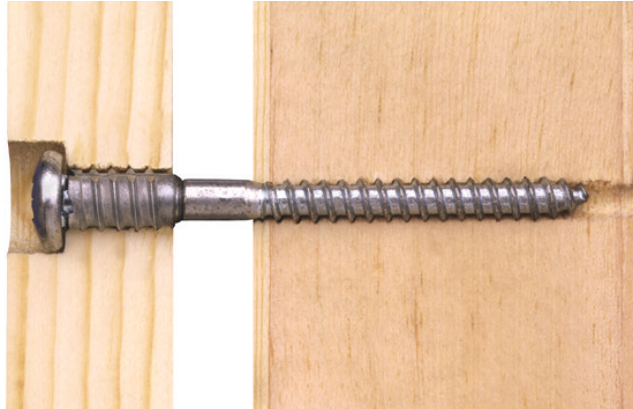
VERSATILE

Jamb Jacks are available for most wood door and window systems, including residential, light commercial or replacement applications, with wood or masonry openings.

MATERIAL

Steel screws. Acetal insert and finishing cap.

ORDERING INFORMATION



Jamb Jack III

1. Order Insert & Screw separately.
2. Order **#21146** White Finishing Cap. (See Truth Tip #3).

Door Application (See Truth Tip #2):

#21150 Door Insert

#21171 Door Screw

Window Application:

#21151 Window Insert

#21175 Window Screw

3. Order **#21183** Turbo Driver Installation Bit (power installation of insert).

TRUTH TIPS:

1. When installing the Jamb Jack III screw into the frame, make sure that the screw snaps twice into the insert.
2. Truth recommends that six Jamb Jacks be used in every door application (three per jamb) and four be used in window applications (two per jamb). NOTE: Additional Jamb Jacks may be required for window applications depending on the size of the unit.
3. White Finishing Cap may be painted to match non-standard colors.
4. T25 Torx Driver is required for installing and adjusting Jamb Jack III Screws. Not available from Truth Hardware.
5. Solid shims are recommended behind the strike plate locations on door jamb installations.
6. Due to the design of both Jamb Jack II and Jamb Jack III, neither system can be removed once they are installed. Care must be used when selecting installation points for any Jamb Jack unit.

FIG. 1 INSTALLATION OF JAMB JACK III WINDOW INSERT

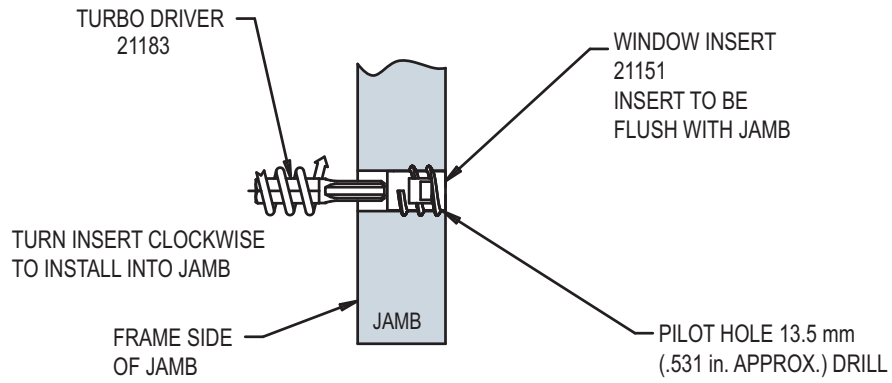


FIG. 2 ADJUSTMENT OF JAMB JACK III FOR WINDOWS

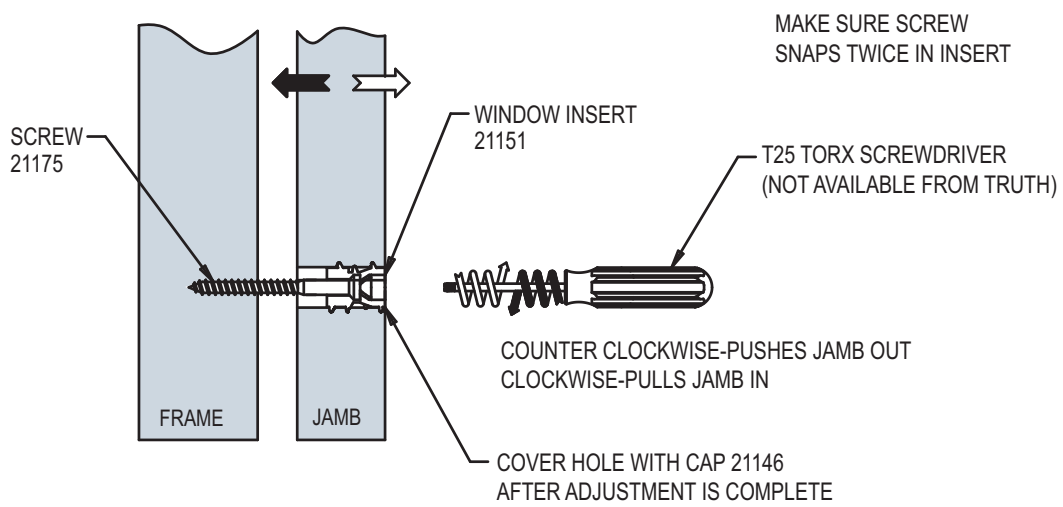


FIG. 3 INSTALLATION OF JAMB JACK III DOOR INSERT

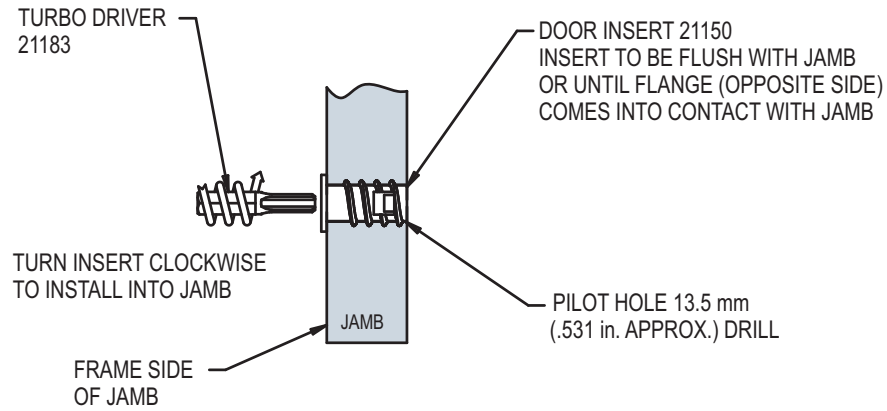


FIG. 4 ADJUSTMENT OF JAMB JACK III FOR DOORS

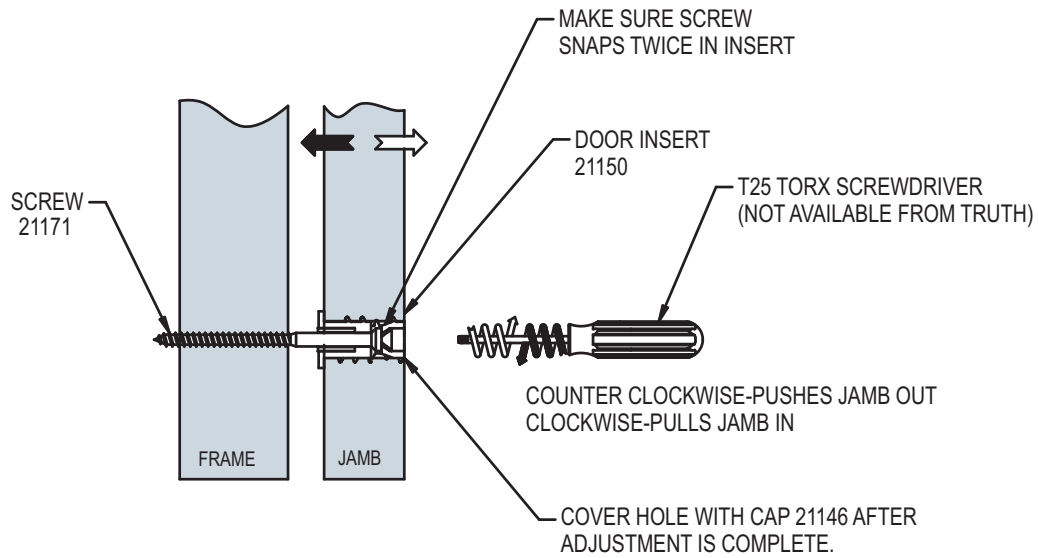


FIG. 5 JAMB JACK III INSERT 21150 (For doors)

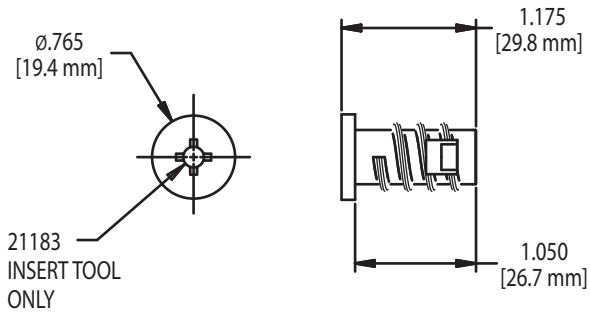


FIG. 6 JAMB JACK III INSERT 21151 (For windows)

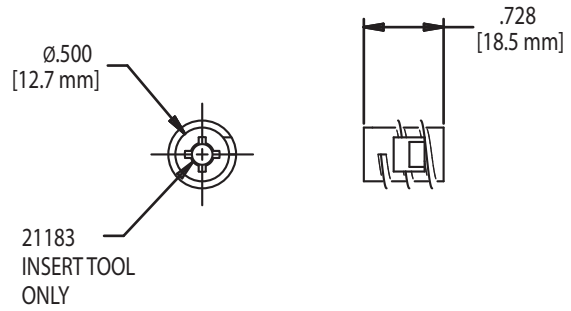


FIG. 7 JAMB JACK III SCREW 21171 (For doors)

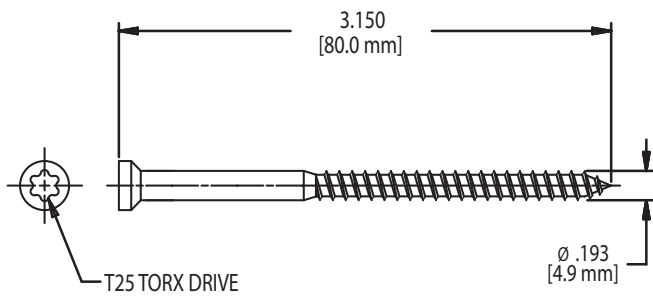


FIG. 8 JAMB JACK III 21175 (For windows)

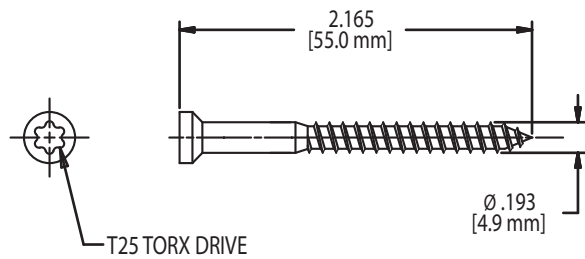
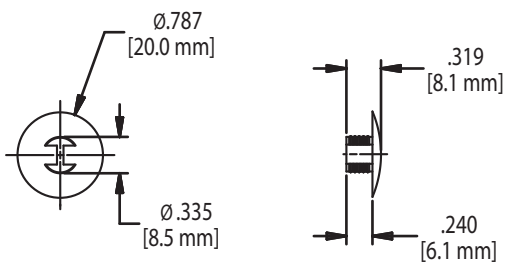
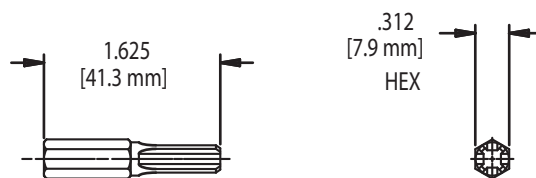


FIG. 9 COVER CAP 21146



FOR USE WITH JAMB JACK III WINDOW OR DOOR INSERTS (SNAPS INTO INSERT)

FIG. 10 TURBO DRIVER 21183



FOR INSTALLATION OF JAMB JACK III INSERT #21150 OR #21151