

**SafeGard™ WOCD is tested and certified to ASTM F2090-10**

Window opening control devices have become a very important subject among window manufacturers and onward through to builders, contractors, and homeowners. Being able to safely and securely operate a window which has safe guards in place to help control the windows opening so as to prevent accidental falls, while at the same time being able to be easily opened for egress purposes in case of an emergency, is critical in today's building projects.

As a market leader in fenestration hardware, Truth engineered, patented, and manufactured a WOCD that meets the requirements of ASTM F2090-10. The ASTM F2090 addresses window fall prevention that helps protect against potential falls by children through open windows. This is done by allowing the window opening to be set at a pre-determined position of less than four inches (4") and automatically re-latch when fully closed. Truth's Casement SafeGard™ WOCD provides a means that the window, when opened in an initial operation, will limit the venting to less than 4". By code, two actions are required to open the window fully for egress purposes. This additional operation can be performed without the use of keys, tools, or special knowledge.

SafeGard™ Window Opening Control Device is designed to allow for factory installation as well as field application by trained personnel. Please consult local building codes for WOCD and applicable requirements.

SafeGard is a reliable, easy to install and easy to operate solution which meets today's more stringent safety requirements. For additional information on installation and operation, please review the installation and operation instruction

[www.truth.com/instructions](http://www.truth.com/instructions) or [www.truth.com/instructionvideos](http://www.truth.com/instructionvideos) to ensure proper application and operation of the device.

**SafeGard™ WOCD:**

Reliable operation and made entirely of austenitic stainless steel and plastic. WOCD was tested and certified to ASTM F2090-10. It is designed to fit



in the standard hinge cavity of 0.719"W X 0.438"H (nominal). Arm assembly has a decal with simple operating instruction, and track is assembled with visible colored plastic to discern the separate operations.

**APPLICATION AND EASE OF INSTALLATION:**

For ease of installation, the track will self locate to the frame. The arm is located on the sash using a template (#92251) with printed instructions. Please see Fig.1 for installation dimensions on window mounting surfaces. For additional information, please see installation and operating instructions.

([www.truth.com/instructions](http://www.truth.com/instructions)).

**WARRANTY:** Protected under the terms of the Truth Warranty for Window and Door Manufacturers and Authorized Distributors. Refer to Truth's Terms and Conditions for further details.

**MATERIAL:** Austenitic stainless steel track, arm, rivet, and Delrin cover and tab. This device is recommended to be installed with stainless steel screws. Total of 4 stainless steel #7 undercut Phillip Flat Head screws to be used in this application; two for the track and two for the arm. Due to variation of profile, screw length can vary. Please

refer to application print specific to your profile and installation instruction for more details.

**INCLUDE TRUTH SPECS IN YOUR NEXT PROJECT REQUIRING A WINDOW OPENING CONTROL DEVICE:**

Window Opening Control Devices as required by ASTM F2090-10, the standard specification for window control devices with emergency (egress) release mechanisms. Product will limit the window opening to less than 4" and requires two actions to release the device allowing the window to open fully for egress purposes. Actions to release the device for egress purposes are to be performed without the use of keys, tools or special knowledge. WOCD will automatically re-latch when window is fully closed. This WOCD shall be "SafeGard™ Casement Window Opening Control Device" as offered by Truth Hardware, Owatonna, MN.

**ORDERING INFORMATION:**

Before ordering device for your application, please make sure the handing of the device is correct for your windows. To determine the correct handing, view the window from the exterior of the dwelling. When the hinge is on the left, it is a left handed window.

# SAFEGARD™ CASEMENT WINDOW OPENING CONTROL DEVICE (WOCD)

Similarly, when the hinge is on the right it is a right handed window. Plastic cover on the device is clearly marked with letters L (left) or R (right) for ease of installation. Please follow the below steps for device selection:

1. Before installation, Truth Hardware recommends that you consult with local building codes for egress size applicability and requirements. Standard egress opening typically requires a 24" wide sash opening. For other applications, the minimum sash opening required for Truth's SafeGard™ device is a 21" wide sash.
2. Confirm the hinge cavity (Fig. 1) to ensure the mounting surfaces for the WOCD's track and arm are clearly identified. The WOCD's track should be the same plane as the hinge track, and the WOCD's arm should be mounted on the same plane as the sash arm on the sash profile.
3. Please check the hinge cavity dimension to confirm the casement WOCD will fit your window. The standard hinge cavity should nominally be 0.719" W x 0.438" H.

Please refer to Fig. 1 for WOCD (arm and track) mounting surface, Fig. 2a for arm installation on the sash, and 2b for installation position of the track on the frame. If you have any questions, please contact the window manufacturer for further information.

4. Determine the window handing. This will ensure the correct WOCD device for the application. Specify left or right hand device for your order (please see table 1 below for part numbers)
5. Determine if your order will be OEM\* part numbers (bulk pack for factory installation) or kit part numbers (single packed for field installation by trained personnel). For OEM application, additional accessories (\*) should also be identified and ordered along with the OEM part numbers. Field kit will be bagged to include complete WOCD arm and track, window label decal, screws, and installation template. If you have any questions, please contact Truth representative for additional information.

### RECOMMENDED SCREWS:

Types of screws required determined by material of profile used. Refer to drawings for complete information on

screw type and quantity needed (sold separately).

### TRUTH TIPS:

1. Truth recommends that a casement WOCD be used in casement application where applicable and building codes require such application. Please check the local building codes for applicability and egress size requirements.
2. Casement WOCD can be factory installed or field retrofit on all profile material types where standard/nominal (0.719"W X 0.438"H) hinge cavity is available. Please observe all safety instructions and consult window manufacturer when you have questions or concerns. Please contact Truth sales for application to ensure form, fit, and function for your specific window application
3. Standard 2 walls (vinyl, fiberglass, aluminum and other composite materials) on the profile is required for proper screw retention
4. Correct handing with proper installation are important to ensure proper operation of the device
5. For additional product information or installation and operating instruction, please go to [www.Truth.com/instructionvideos](http://www.Truth.com/instructionvideos) for more detail.

Table 1: Part Numbers for OEM and Field Kits

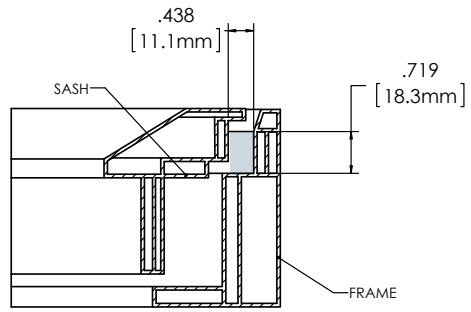
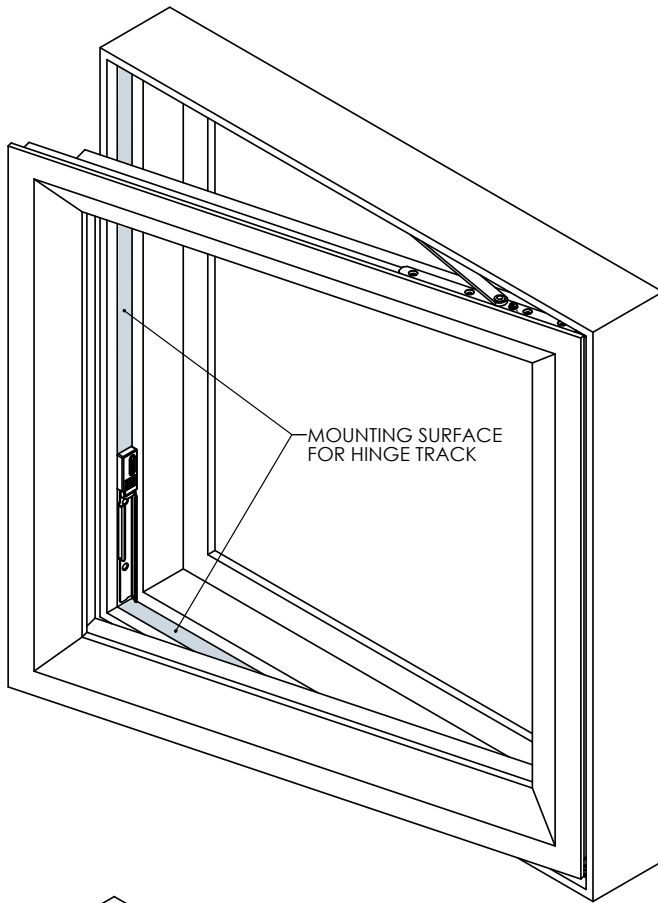
	Left Hand Casement WOCD	Right Hand Casement WOCD
<b>OEM</b>	14149	14150
<b>Factory Installed</b>	WOCD ASSY, OEM 7/16" LH Incl: arm assy and track assy	WOCD ASSY, OEM 7/16" RH Incl: arm assy and track assy
<i>Screw-Bulk* (5K/Box)</i>	19070	
<i>Screw pack*</i>	14176	
<i>Window Label (decal)*</i>	23681	
<i>Instruction*</i>	93221	
<i>Template*</i>	92251	
<b>KIT</b>	14151	14152
<b>Field application by Trained Personnel</b>	WOCD ASSY, Field Kit 7/16" LH  Incl: arm assy, track assy, template, instruction and std screw pack (4 Screws), window label	WOCD ASSY, Field Kit 7/16" RH  Incl: arm assy, track assy, template, instruction and std screw pack (4 Screws), window label

### Note:

1. This device is not designed for Awning application.
2. \* Specific SKU to be ordered separately for OEM application

# SAFEGARD™ CASEMENT WINDOW OPENING CONTROL DEVICE (WOCD)

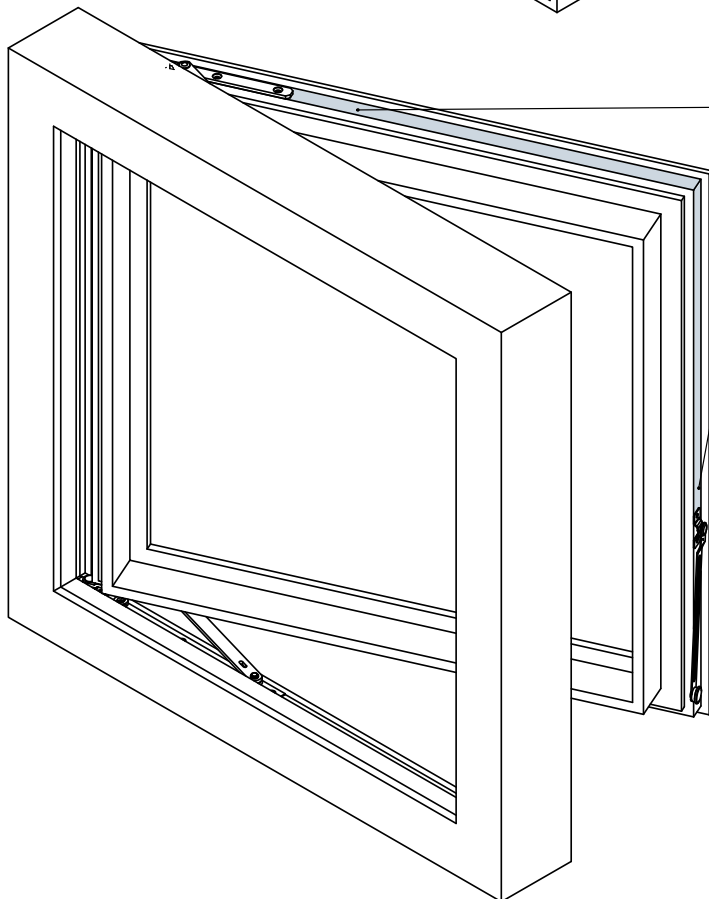
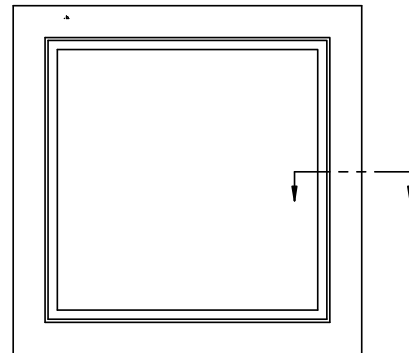
FIG. 1 SAFEGARD WOCD CASEMENT APPLICATION



## WOCD CAVITY DIMENSIONALLY SAME AS HINGE CAVITY

NOTE: WOCD CAVITY DIMENSIONS MUST BE THE SAME AS THE HINGE CAVITY DIMENSIONS. CONSULT THE WINDOW MANUFACTURER TO CONFIRM THESE DIMENSIONS OR IF HINGE ADJUSTMENT IS NEEDED

WARNING: THE WOCD MAY NOT FUNCTION PROPERLY IF THESE DIMENSIONS ARE NOT ADHERED TO.



# SAFEGARD™ CASEMENT WINDOW OPENING CONTROL DEVICE (WOCD)

FIG. 2A SAFEGARD WOCD (LEFT HAND SHOWN) ARM APPLICATION ON SASH

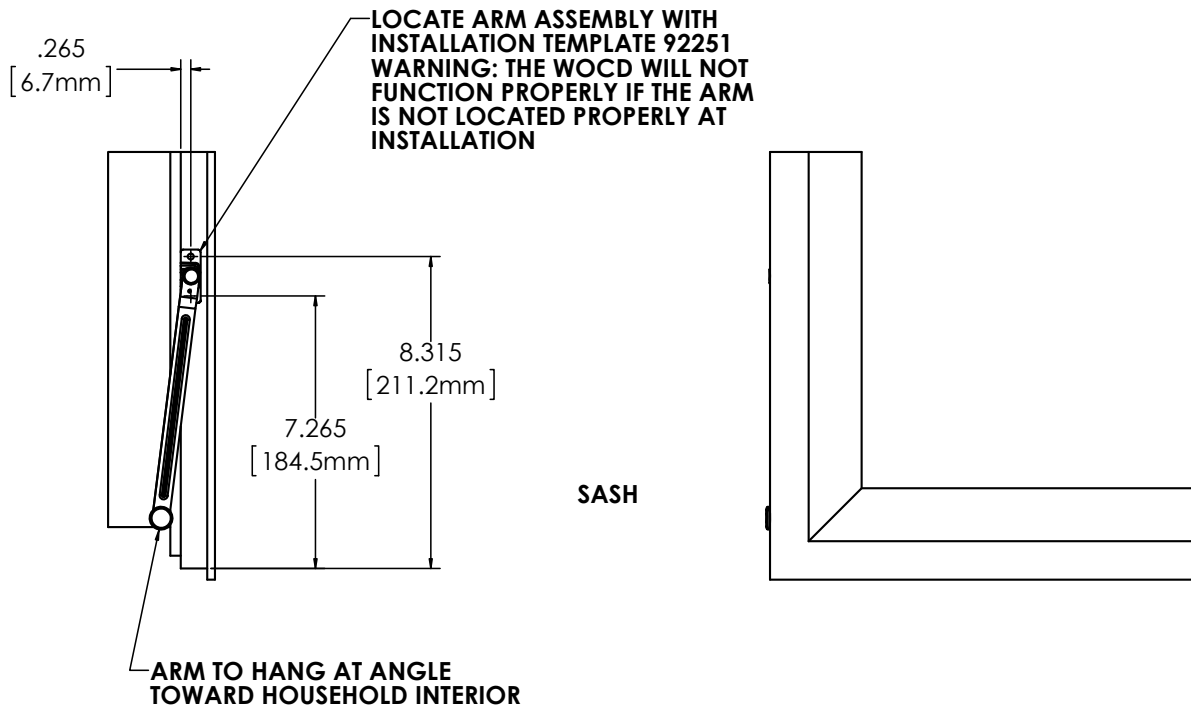


FIG. 2B SAFEGARD WOCD (LEFT HAND SHOWN) – TRACK APPLICATION ON FRAME

