



The new Contour Multipoint Locking System for commercial aluminum windows, proves to be the most attractive, easiest operating, highest performing, best value in Commercial casement and awning window locking hardware.

Check out these amazing features & benefits:

- Non-Handed Lock Drive- You will like the advantage of ordering and inventorying just one lock handle for both left- and right-hand windows.
- The unique handle design is longer and more robust to meet ADA requirements on larger windows.
- With its sleek, low-profile design, homeowners will love the fact that in either the locked or unlocked position, these locks won't interfere with curtains or blinds.
- The casement roller keeper is hex key adjustable for fine tuning operating force or weather seal compression.
- The casement lock points are capable of resisting up to 350 lbs per lock point. With optional tiebars for sash sizes from 16" to 102" in frame height, and providing up to (5) locking points.
- Quick and easy lock-to-tie bar attachment and the simple two screw mounting reduce installation time.
- On some casement windows the option of a lock point below the handle improves sealing and lock-up.
- Contour offers a single point system for awning windows using 300 series stainless steel keepers, with a lock point load resistance of up to 350 lbs. No tie bars required.



- Custom-designed, profile-specific tie bar guides and keepers offer maximum hardware application flexibility. Guides "index" (locate) the tie bars in two directions for consistent and efficient application. (Contact Truth to identify correct tiebar assembly and keepers for your profile).
- A pre-installed gasket, which surrounds the base ensures the installation is tightly sealed to protect against air, water, and light infiltration.

CONSUMER ADVANTAGES

- Secure, solid detent lets you "feel" when the Contour System is locked.
- The unique design makes the lock highly pick-resistant.
- Homeowners will appreciate the excellent "reach-out" capability. No need to fully close the window before locking it. Just close the window to within .625" (15.8 mm) and actuate the lock handle.

- The heart of this system is the "progressive" locking action. Watch as the tie bar engages and pulls in the lowest lock point first, followed by the remaining keeper(s) in sequence. This "zippered effect" assures the top lock point on tall units always engages and pulls in, even in less-than-perfect installations. Feel the smooth and easy lock operation the sequential lock action also provides.

ATTRACTIVE LOOK

- Multi-Point Locks for Casement (#24.50) and Single-Point Locks for Awning (#24.51) look identical – for a consistent appearance throughout the home.
- Contemporary aesthetics and styling complement the soon to be released Contour Operator System, and existing Maxim and Encore operators.
- With its attractive painted or plated finish, the zinc handle & base precisely match the color of your finished profile.

CONTOUR LOCKS

WARRANTY:

Protected under the terms of the Truth Warranty for Window and Door Manufacturers and Authorized Distributors. Refer to Truth's Terms and Conditions for further details.

MATERIAL & PROTECTIVE FINISH:

High pressure zinc die-cast handle, case, and sliders (liquid or powder coat painted finish). Steel tie bar (powder coat painted finish). Keepers made of either coated steel, or 300 series stainless steel.

E-GARD® HARDWARE

Truth's E-Gard® Hardware has a multistage coating process that produces a superior physical and aesthetic finish. Plus, it is resistant to a wider range of corrosive materials, including industrial cleaning materials and environmental pollutants. This proprietary process has been tested to perform approximately three times better than common zinc plated finishes.

FINISH:

Electrostatically applied, durable coatings that provide excellent resistance to chipping, scratching and corrosion while maintaining color stability for years in direct sunlight. Please refer to Truth's Color Chart for examples of Truth's most popular finish options. Truth also offers a wide range of decorative "plated" finishes - contact Truth for additional information on availability of these finishes on specific product lines.

ORDERING INFORMATION:

Due to the complexity of the possible variables in the Tempo tiebar and keepers we ask that you please contact Truth Hardware's Product Specialists for custom application drawings.

1. Order Casement or Awning
Contour Sash Lock by part number.
Casement Multi-Point Lock #24.50
Multi-Point Awning Lock #24.51
Contour Single Point
2. Specify finish number.
3. Order keepers by part number - refer to your custom application drawing
4. Specify tie bar needed by length - refer to the sizing chart on your custom application drawing.

RECOMMENDED SCREWS:

Types of screws required determined by material of profile used. Refer to your custom application drawings for complete information on screw type and quantity needed (sold separately).

TRUTH TIPS:

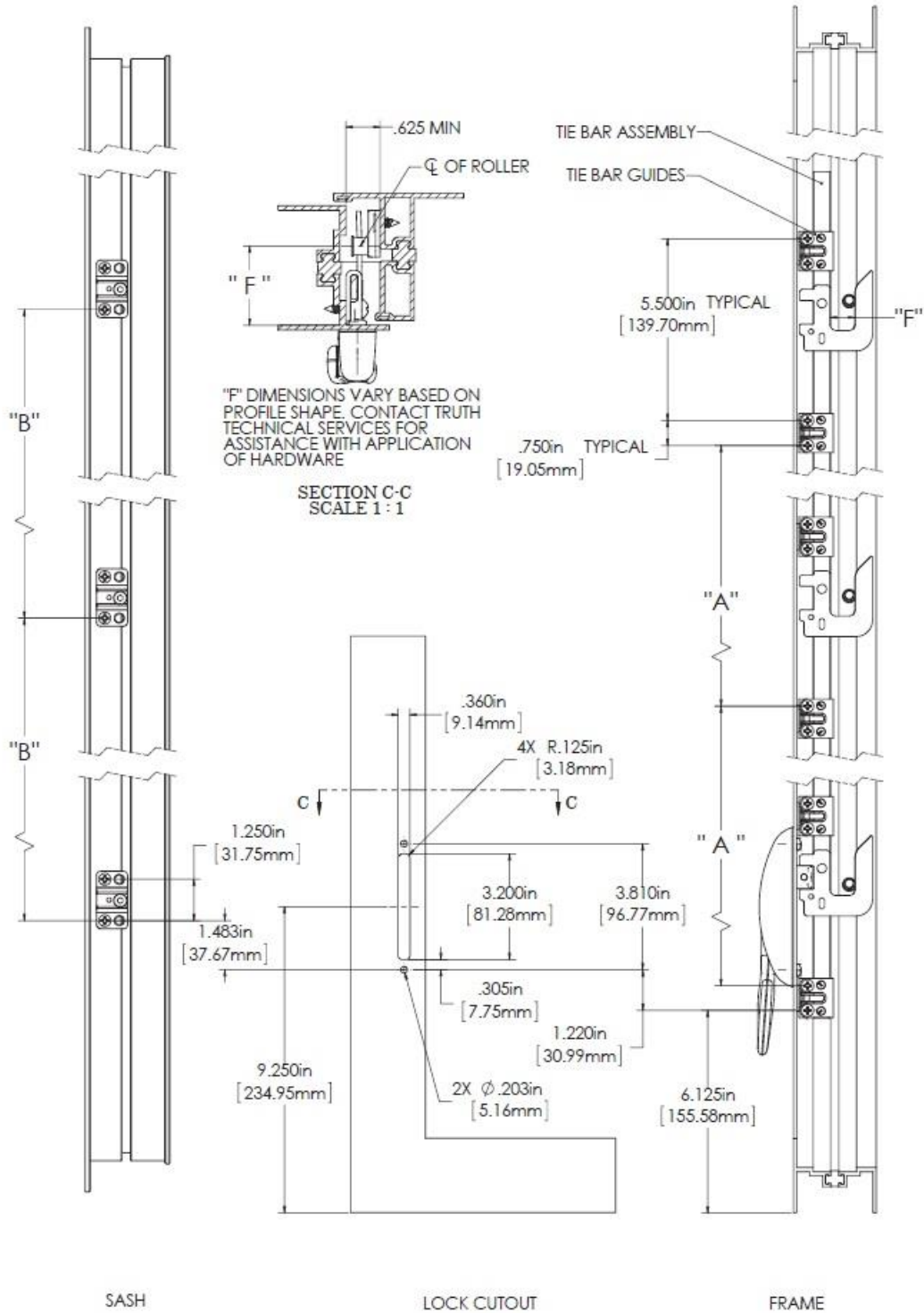
1. For accurate hardware placement in vinyl or metal applications, pre-drilling of the window profile is recommended.
2. For power drivers used to install mounting screws, recommended torque for screw installation (#19298) is 35 in./lbs; not to exceed 50 in./lbs.
4. For metal window profiles, Truth recommends machine screws. However, in most applications, sheet metal screws will provide adequate holding power. Please review screw recommendations given in your custom application drawings.

INCLUDE TRUTH SPECS ON YOUR NEXT WINDOW PROJECT

Contour window locking system shall be included which will increase both security and weather seal tightness. The locking points must hold securely for negative air pressure and forced entry resistance.

Window sash locks will be used which provide sequential locking with up to .625" (15.9 mm) of pull-in. The lock must utilize a tie bar driven by a single locking handle to meet ADA hardware standards. The lock drive handle must provide a weather tight seal by providing a gasket between lock and window frame. The lock shall be constructed of high pressure zinc alloy die castings and either painted, plated or E-Gard® components and accessories. Window locks shall be 24 series, Contour Multi and Single Point Lock Systems as manufactured by Truth Hardware, Owatonna, MN.

FIG. 1 MULTI-POINT CASEMENT APPLICATION



CONTOUR LOCKS

FIG. 2 SINGLE POINT / AWNING APPLICATION

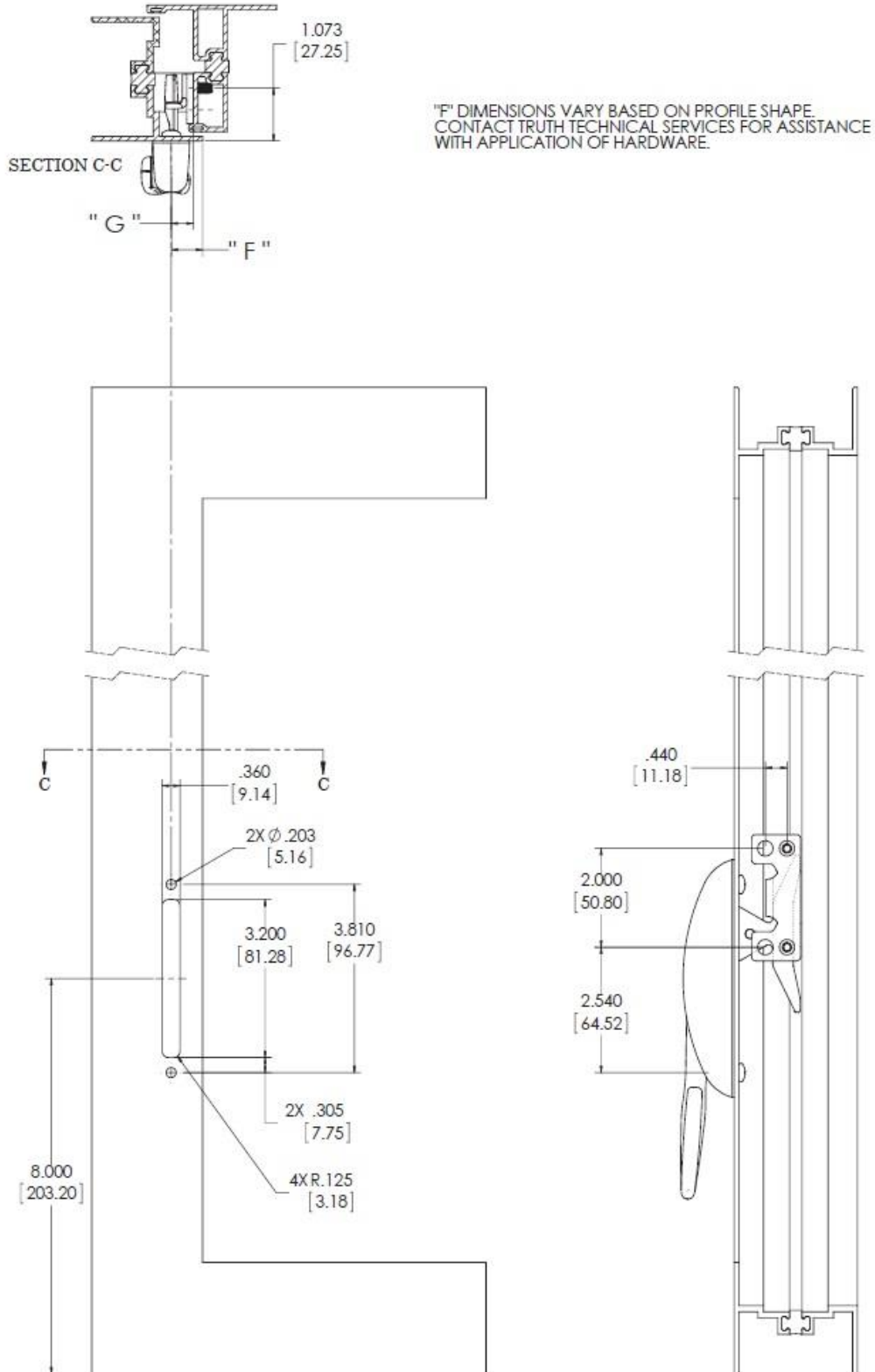


FIG. 3A LOCK TIE BARS

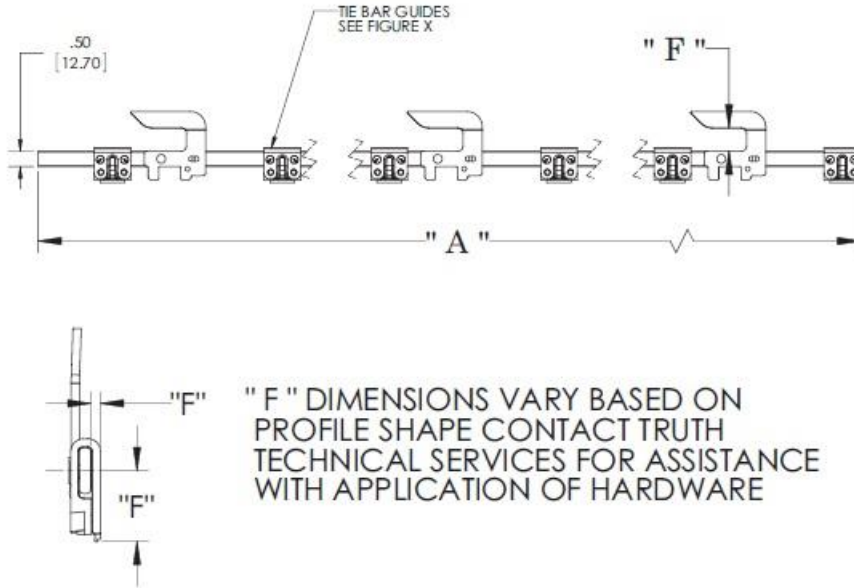
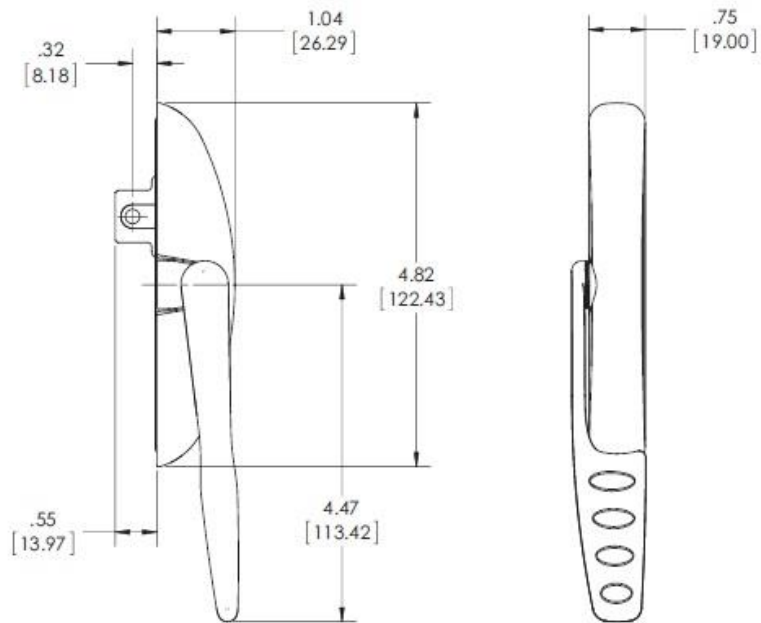


FIG. 3B TIEBAR CHART

Window Frame Height (inches)	Tie bar Length (inches)	Number of Lock Points	Spacing Between Tie Bar Guides "A" (inches)	Spacing Between Keepers "B" (inches)	Tiebar Part Number
16-24	8.5	1	5.500	0.000	*
24-30	16.5	2	8.000	8.560	*
30-36	22.5	2	14.000	14.560	*
36-42	28.5	2	20.000	20.560	*
42-48	34.5	3	13.000	13.280	*
48-54	40.5	3	16.000	16.280	*
54-60	46.5	3	19.000	19.280	*
60-66	52.5	4	14.667	14.853	*
66-72	58.5	4	16.667	16.853	*
72-78	64.5	4	18.667	18.853	*
78-84	70.5	4	20.667	20.853	*
84-90	76.5	5	17.000	17.140	*
90-96	82.5	5	18.500	18.640	*
96-102	88.5	5	20.000	20.140	*

* Contact Truth Tech Services for tiebar part numbers

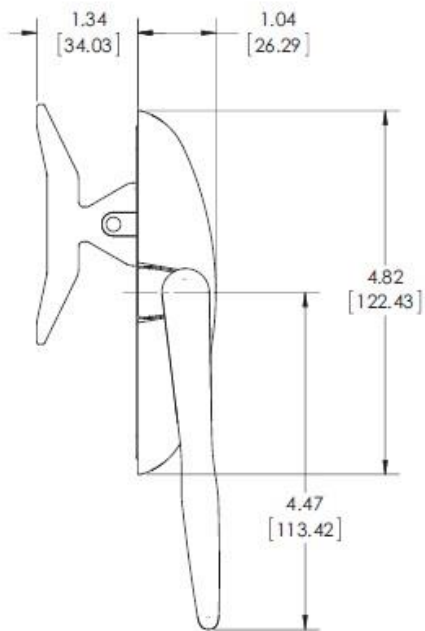
FIG. 4 24.50 MULTIPOINT LOCK



RECOMMENDED SCREWS:

2 P/N-19298 # 10-24 PH PH THREAD
FORMING MACHINE SCREWS

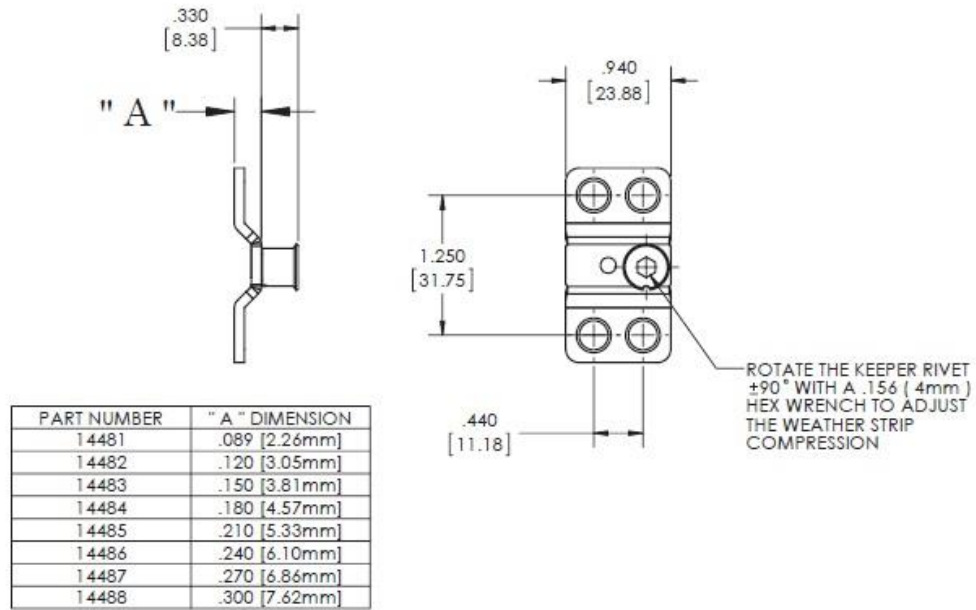
FIG. 5 24.51 SINGLE POINT LOCK



RECOMMENDED SCREWS:

2 P/N-19298 # 10-24 PH PH THREAD
FORMING MACHINE SCREWS

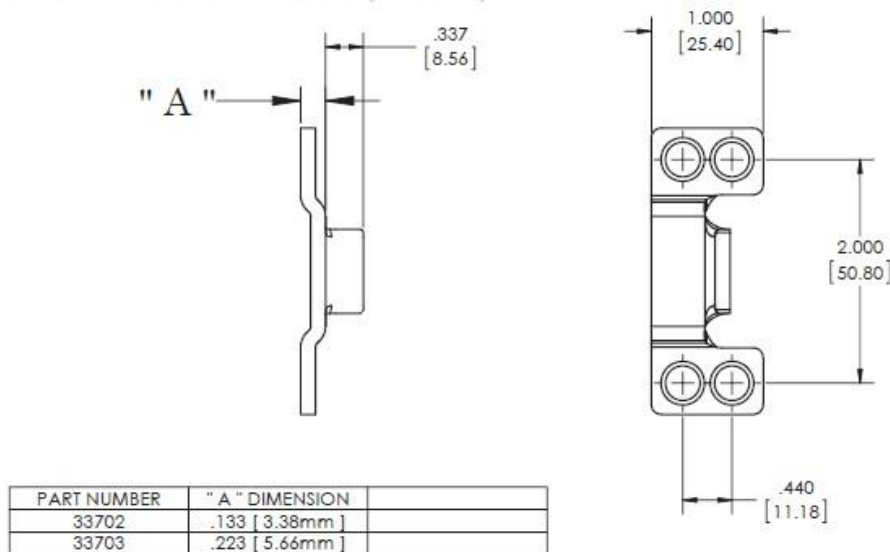
FIG. 6 NON HANDED ADJUSTABLE KEEPER



RECOMMENDED SCREWS:

2 - #10-32 PHILLIPS FLAT HEAD MACHINE SCREWS.
LENGTH AND THREAD TYPE TO BE DETERMINED BY PROFILE

FIG. 7 NON HANDED SINGLE POINT (AWNING) KEEPER



RECOMMENDED SCREWS:

2 - #10-32 PHILLIPS FLAT HEAD MACHINE SCREWS.
LENGTH AND THREAD TYPE TO BE DETERMINED BY PROFILE