



Truth cam locks are designed to give long and trouble-free service. Hole in handle allows operation of cam lock in elevated locations. Concealed pawl design provides internal lock-up of in-swinging ventilator. Various concealed pawl and keeper designs are available to accommodate most window styles on the market today. A 90° rotation of the handle locks or unlocks the sash.

#### WARRANTY:

Protected under the terms of the Truth Warranty for Window and Door Manufacturers and Authorized Distributors. Refer to Truth's Terms and Conditions for further details.

**MATERIAL:** High-pressure die-cast zinc handle and base. Zinc-plated steel pawl. Non-magnetic (300 Series) stainless steel keepers.

**FINISH:** Electrostatically applied, durable coatings that provide excellent resistance to chipping, scratching and corrosion while maintaining color stability for years in direct sunlight. Please refer to Truth's Color Chart for examples of Truth's most popular finish options. Truth also offers a wide range of decorative "plated" finishes - contact Truth for additional information on availability of these finishes on specific product lines.

#### ORDERING INFORMATION:

1. Choose style of cam handle desired (specify by part number).
2. Specify finish number.
3. Specify left- or right-hand (determined by the direction the handle points when viewed from the inside on an awning window). Handle points in opposite direction when used on a hopper top window (see drawings).
4. Select mounting hardware (sold separately):
  - a. Choose keeper style (specify by part number).
  - b. Optional:
    - (1) #20408 - Rubber-cork adhesive backed gasket for offset base (1 per handle).
    - (2) #20556 - Rubber-cork adhesive backed gasket for in-line base (1 per handle).



#### RECOMMENDED SCREWS:

Types of screws required determined by material of profile used. Refer to drawings for complete information on screw type and quantity needed (sold separately). For additional information regarding screw selection - see Truth Tips and refer to Tech Note #11.

#### TRUTH TIPS:

1. Keeper part #30238 is recommended because the lead-in provided helps insure smooth lock operation.
2. Keepers #20303 and #20404 must be backed up against a PVC wall to prevent failure of the keeper.
3. For accurate hardware placement in vinyl or metal applications, pre-drilling of the window profile is recommended.
4. For vinyl window applications, mounting screws should pass through two PVC walls, or one PVC wall and one insert wall. For this reason, it may be necessary to use a longer screw than is recommended.
5. Truth recommends that stainless steel screws be used to fasten stainless steel components to the window. When selecting mounting screws for Truth hardware, coating compatibility is one of the most important criteria. For best corrosion resistance the coating on the screws should be the same as the coating on the hardware.

6. For metal window profiles, Truth recommends machine screws. However, in most applications, sheet metal screws will provide adequate holding power.

#### INCLUDE TRUTH SPECS ON YOUR NEXT WINDOW PROJECT

Cam handle locks shall be included which will increase both security and weather seal tightness. The locks must hold securely up to 150 lbs. of force per lock for negative air pressure and forced entry resistance. A hole shall be provided in the handle for pole operation in out-of-reach applications.

Window locks shall be of concealed pawl design and utilize a stainless steel keeper. The cam handle must be constructed of high pressure zinc alloy die castings and a nickel plated steel pawl.

Window locks shall be 27 series Pole Operated, as manufactured by Truth Hardware, Owatonna, MN.

# 27 POLE-OPERATED CAM HANDLE WITH CONCEALED PAWL

FIG. 1 APPLICATION OF CAM HANDLE WITH CONCEALED PAWL

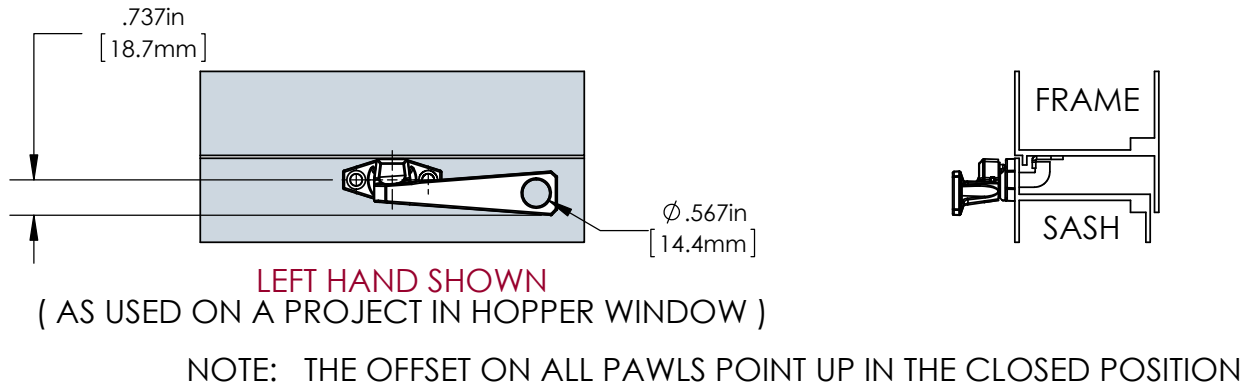
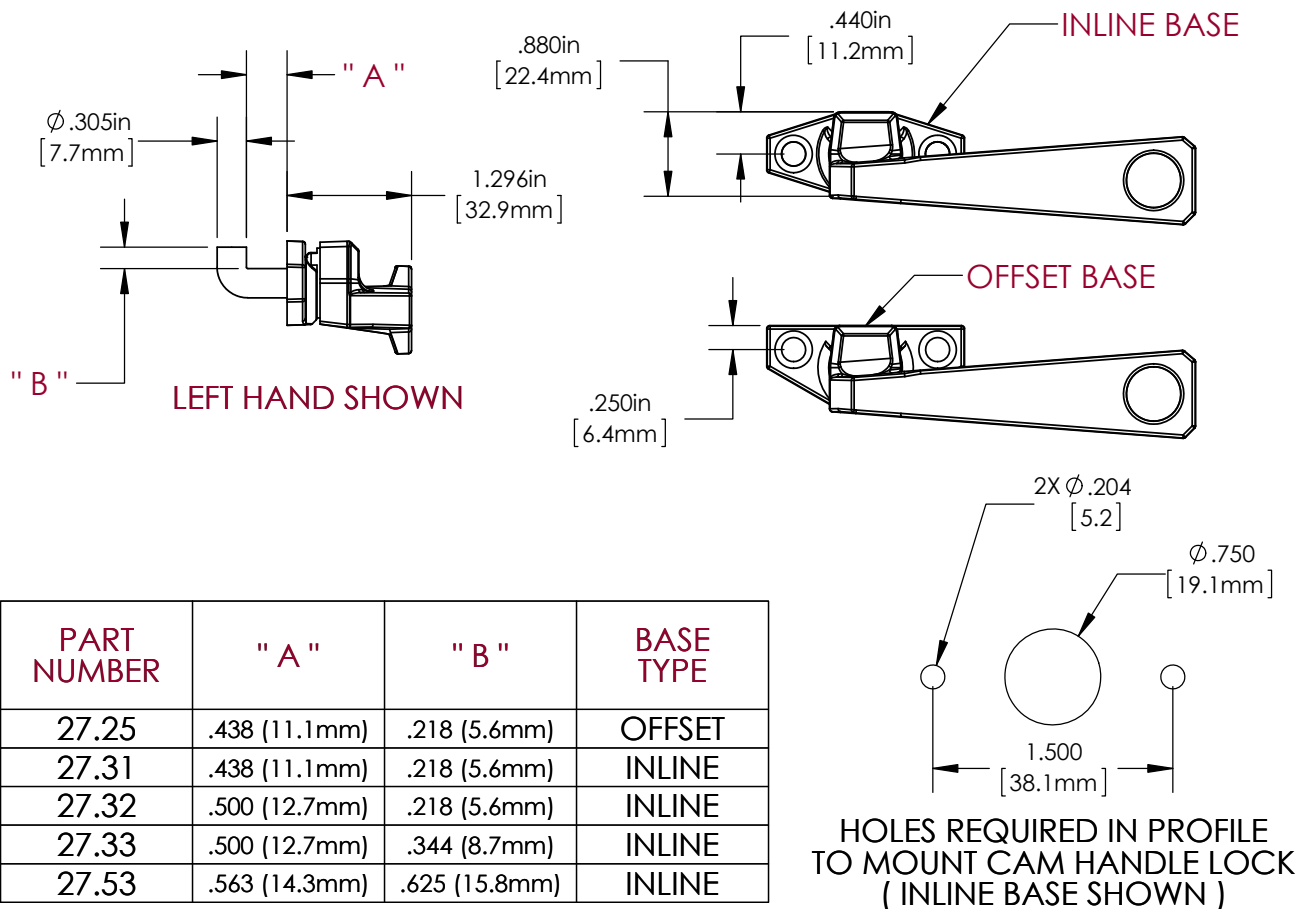


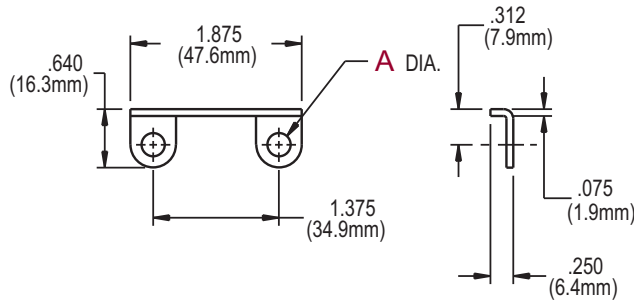
FIG. 2 CAM HANDLE WITH CONCEALED PAWL



**RECOMMENDED SCREWS:**

WOOD/METAL/PVC: 2-#10 PHILLIPS FLAT HEAD SST SCREWS  
( LENGTH AND THREAD TYPE DETERMINED BY PROFILE )

FIG. 3 KEEPERS 20303 AND 20404

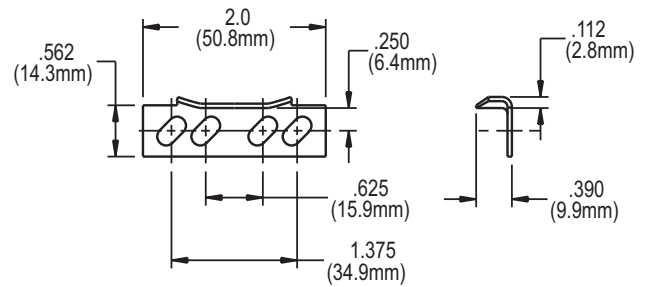


PART NO.	A DIA.
20303	.204 (5.2mm)
20404	.250 (6.4mm)

RECOMMENDED SCREWS:

WOOD/PVC/METAL: 2 - #10 PHILLIPS, PAN HEAD, STAINLESS STEEL SCREWS (LENGTH AND THREAD TYPE TO BE DETERMINED BY PROFILE)

FIG. 4 KEEPER 30238



RECOMMENDED SCREWS:

WOOD/PVC/METAL: 2 - #10 PHILLIPS, PAN HEAD, STAINLESS STEEL SCREWS (LENGTH AND THREAD TYPE TO BE DETERMINED BY PROFILE)

FIG. 5 GASKET 20408 (in-line base)

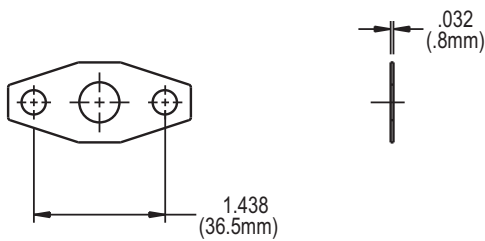
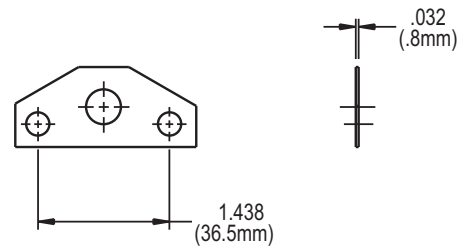


FIG. 6 GASKET 20556 (offset base)





700 WEST BRIDGE STREET, OWATONNA, MN 55060 ■ 507.451.5620 800.866.7884 ■ [TRUTH.COM](http://TRUTH.COM)