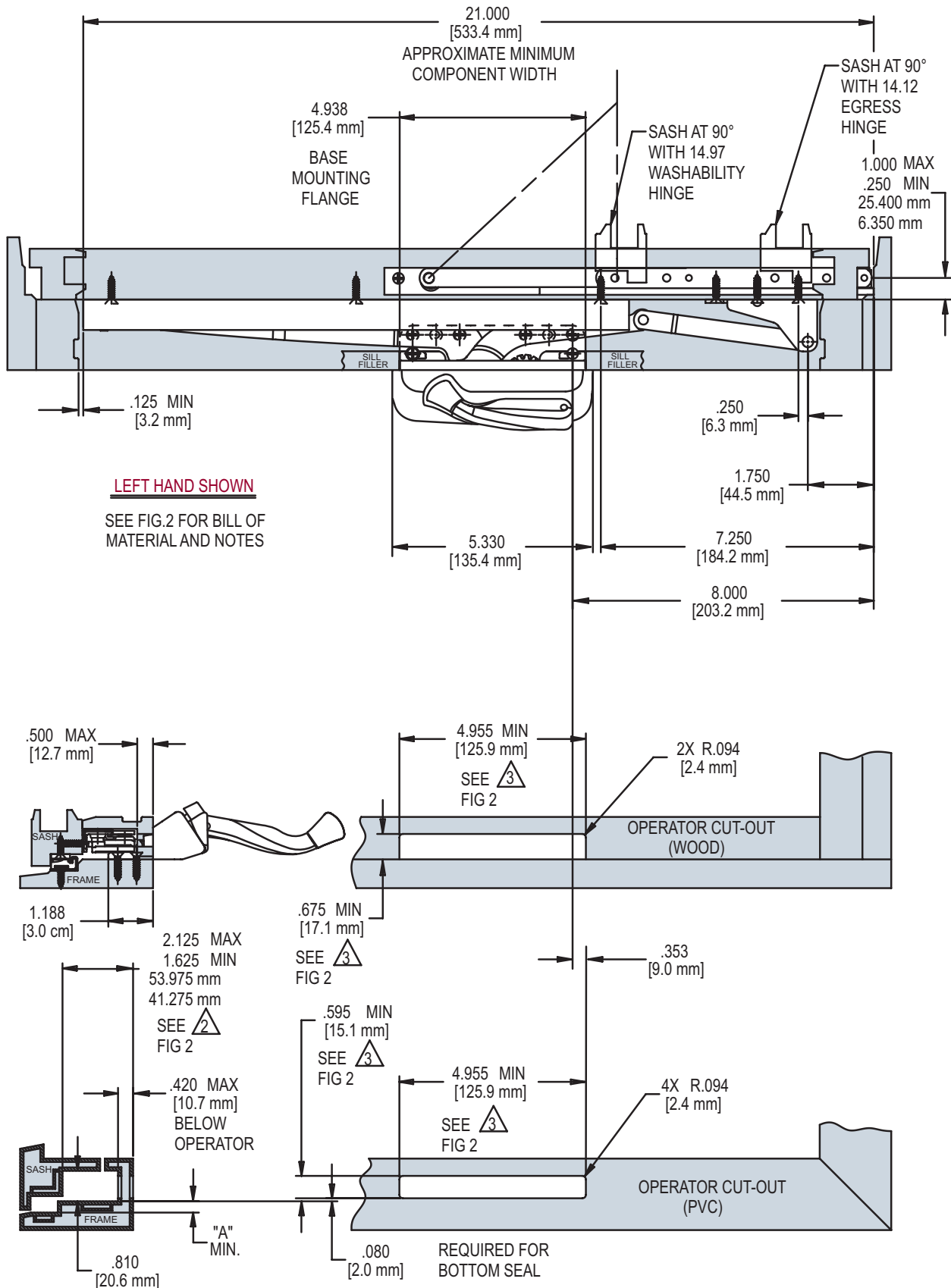
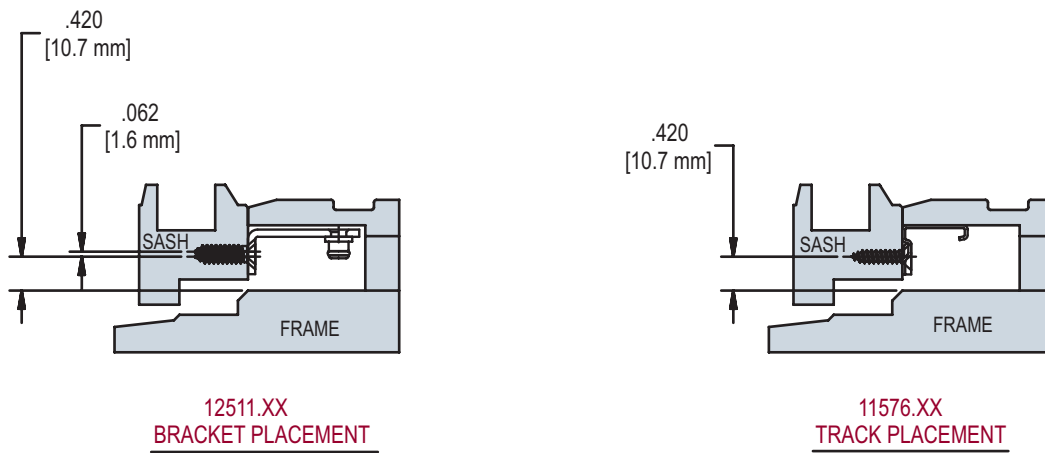


FIG. 1 APPLICATION OF ENCORE DUAL ARM OPERATOR (SILL MOUNT VERSION)



ENCORE™ DUAL ARM OPERATOR (SILL MOUNT)

FIG. 2 APPLICATION OF ENCORE DUAL ARM OPERATOR CONTINUED (SILL MOUNT VERSION)



HARDWARE SHOWN FOR LEFT HAND WINDOW, SEE FIG.1

PART NUMBER	DESCRIPTION
50.10.00.011	DUAL ARM OPERATOR
12511.XX	STUD BRACKET
11576.XX	TRACK ASSEMBLY
14.97.00.XXX	WASHABILITY HINGE
12614.XX	TANGO HANDLE/COVER PACK
32658	GASKET (PVC)

HINGE	"A"
14.97.00.XXX	.300 [7.6 mm]
14.12.00.XXX	
OTHER 14 SERIES CASEMENT HINGES	.250 [6.4 mm]

NOTES:

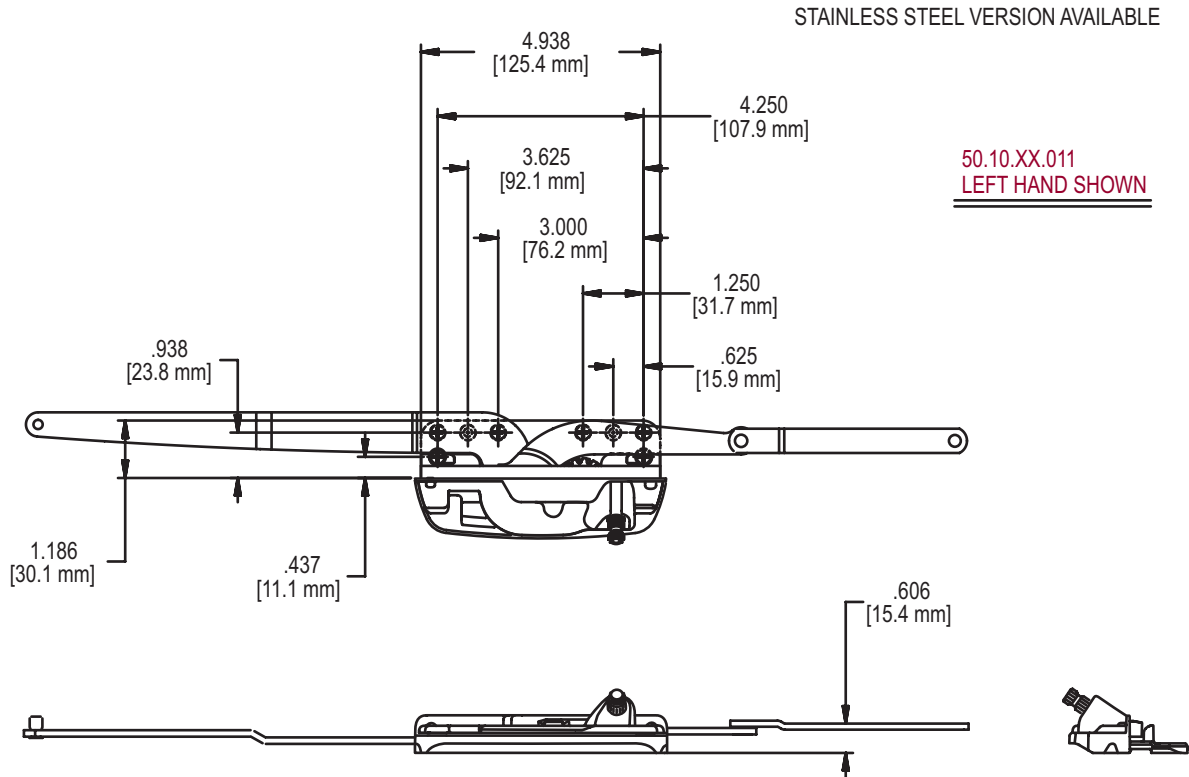
1. STUD BRACKET 12510.XX AND 12511.XX REQUIRES THE SAME MOUNTING LOCATION FOR BOTH THE ENCORE DUAL ARM OPERATOR AND THE ENCORE DYAD OPERATOR.

2. STUD BRACKET 12510.XX AND 12511.XX MAY NOT FIT IF 2.125/1.625 DIMENSION IS LESS THAN 1.875. CONTACT TRUTH FOR RECOMMENDATIONS.

3. HOLD THIS DIMENSION AS CLOSE TO THE MINIMUM AS MANUFACTURING TOLERANCES ALLOW. A CLOSE FITTING CUT-OUT HELPS TO STABILIZE THE OPERATOR AGAINST ROCKING

4. GASKET 32658 IS REQUIRED ON PVC AND METAL PROFILES FOR AN IMPROVED AIR AND WATER SEAL

FIG. 3 ENCORE DUAL ARM OPERATOR (SILL MOUNT VERSION)

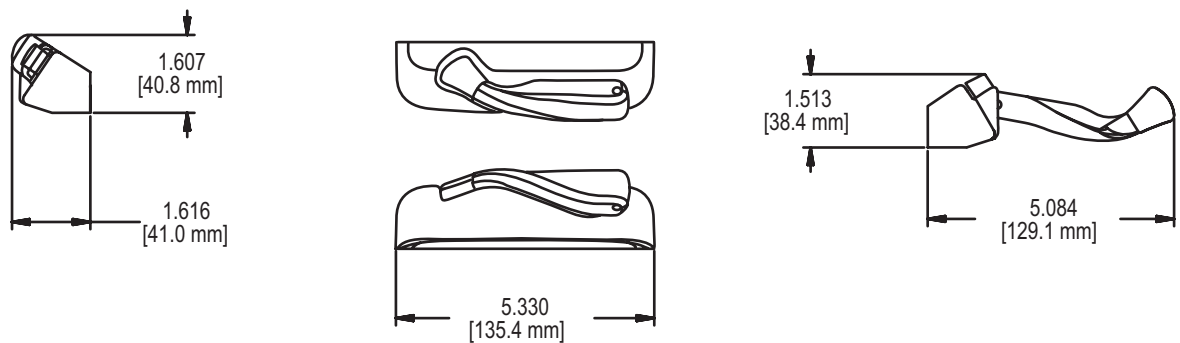


RECOMMENDED SCREWS:

(QTY 6)(PN 19240.XX)#8 X 1 FLAT HEAD SHEET METAL SCREW (SEE TRUTH TIPS FOR MORE INFORMATION)

(QTY 2)FOR REAR MOUNT:#8-32 X 3/8 PAN HEAD MACHINE SCREW PN 19545.XX

FIG. 4 ENCORE TANGO HANDLE/COVER 12614.XX(LH) (SHOWN), 12616.XX(RH)



ENCORE™ DUAL ARM OPERATOR (SILL MOUNT)

FIG. 5 BACK PLATE 21969.92

FOR USE WITH
51.12 REAR MOUNT
VERSION ONLY

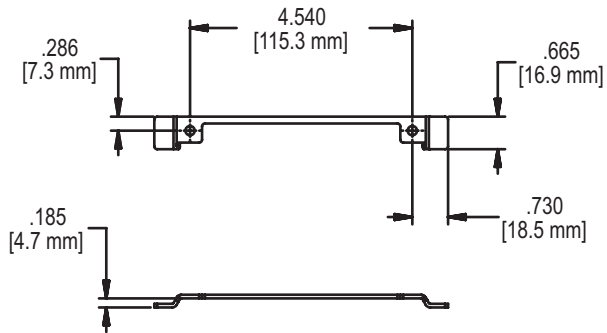
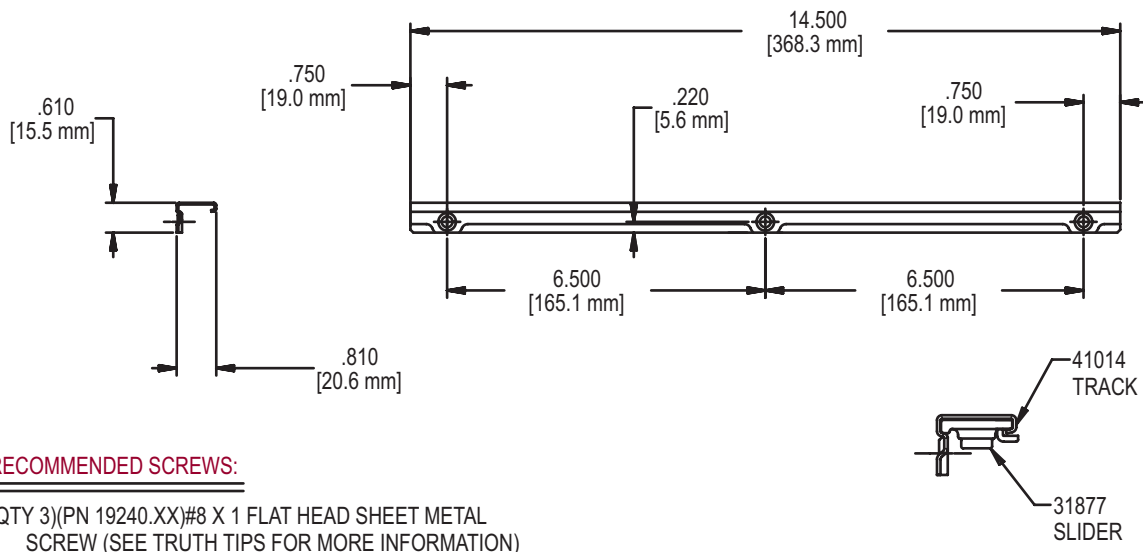


FIG. 6 TRACK & SLIDER ASSEMBLY 11576.XX

STAINLESS STEEL VERSION AVAILABLE



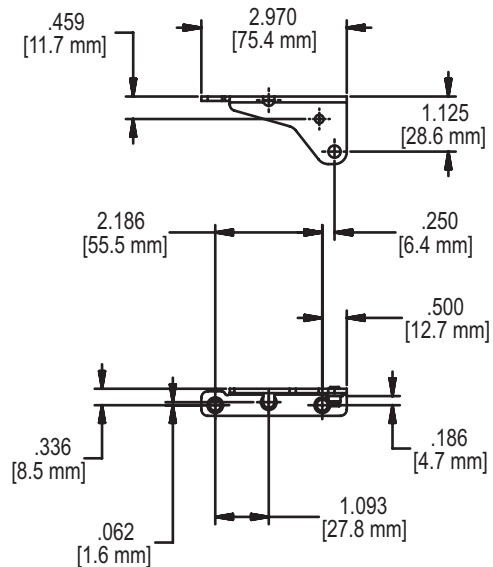
RECOMMENDED SCREWS:

(QTY 3)(PN 19240.XX)#8 X 1 FLAT HEAD SHEET METAL SCREW (SEE TRUTH TIPS FOR MORE INFORMATION)

FIG. 7 STUD BRACKET 12511.XX(LH) (SHOWN) 12510.XX(RH)

STAINLESS STEEL VERSION AVAILABLE

HAND OF BRACKET DOES NOT
NECESSARILY MATCH HAND
OF OPERATOR



RECOMMENDED SCREWS:

(QTY 3)(PN 19240.XX)#8 X 1 FLAT HEAD SHEET METAL SCREW (SEE TRUTH TIPS FOR MORE INFORMATION)