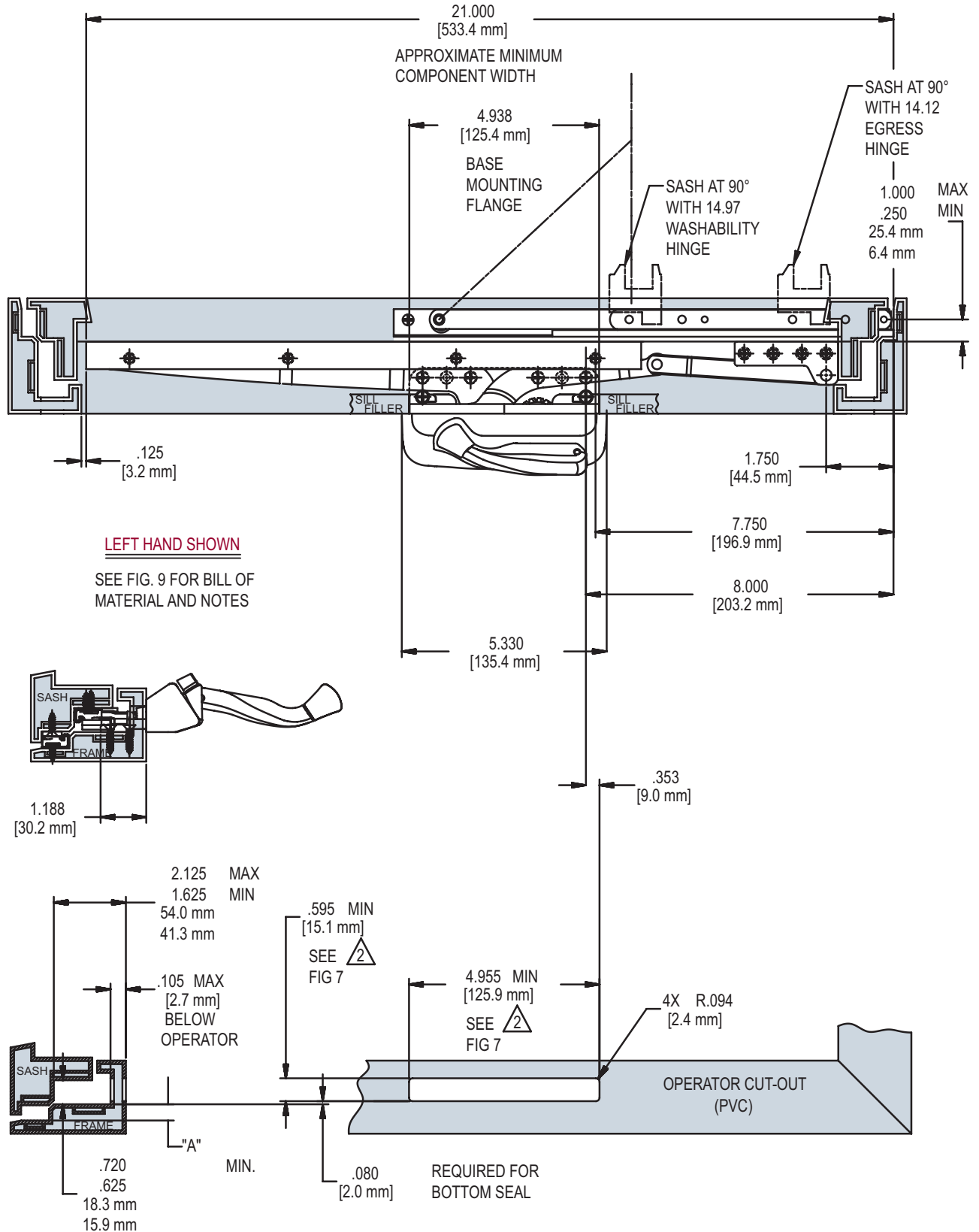
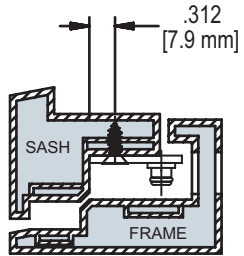


FIG. 8 APPLICATION OF ENCORE DUAL ARM OPERATOR (SILL MOUNT VERSION) (LOW PROFILE)

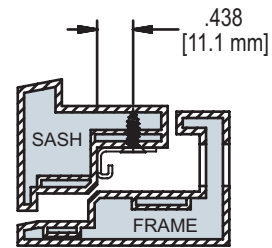


ENCORE™ DUAL ARM OPERATOR (LOW PROFILE)

FIG. 9 APPLICATION OF ENCORE DUAL ARM OPERATOR CONTINUED
(SILL MOUNT VERSION)
(LOW PROFILE)



11661.XX
BRACKET PLACEMENT



32384.XX
TRACK PLACEMENT

HARDWARE SHOWN FOR LEFT HAND WINDOW, SEE FIG.8	
PART NUMBER	DESCRIPTION
50.11.00.011	DUAL ARM OPERATOR
11661.XX	STUD BRACKET
32384.XX	TRACK
14.97.00.XXX	WASHABILITY HINGE
12614.XX	TANGO HANDLE/COVER PACK
32658	GASKET (PVC)

HINGE	"A"
14.97.00.XXX 14.12.00.XXX	.422 [10.7 mm]
OTHER 14 SERIES CASEMENT HINGES	.375 [9.5 mm]

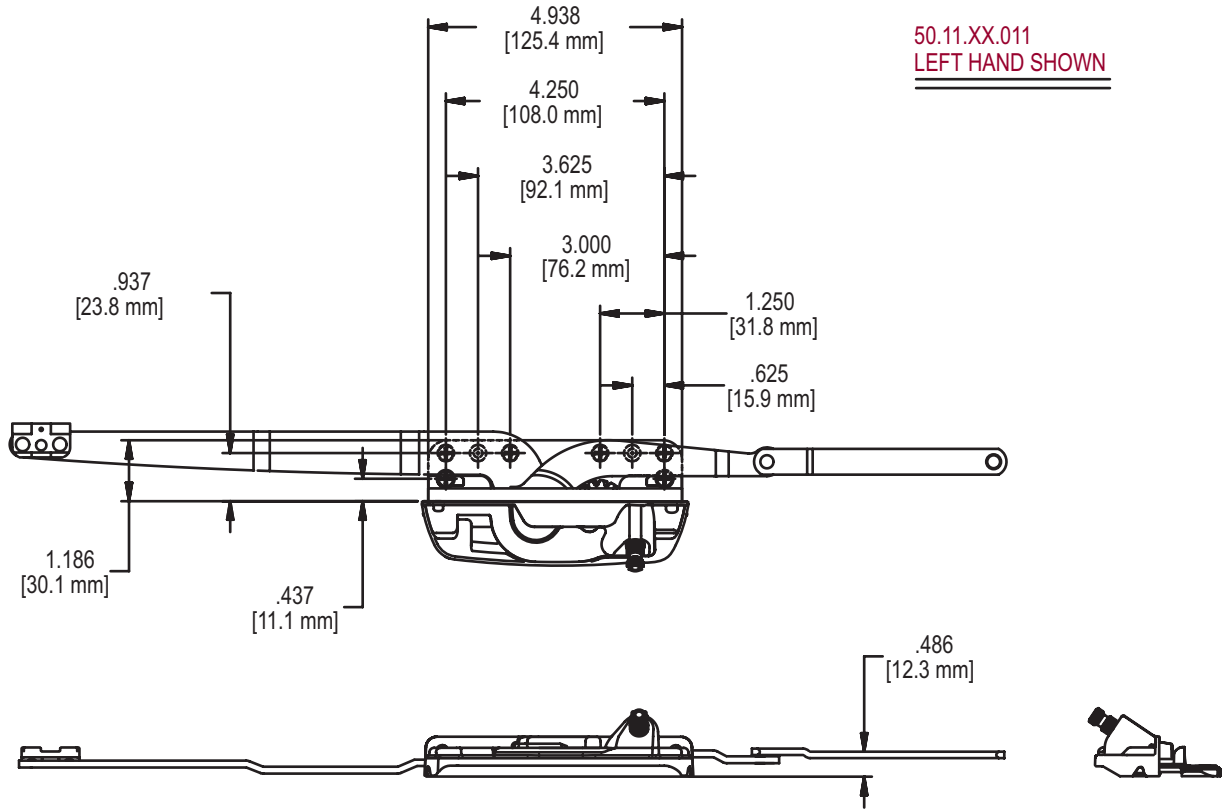
NOTES:

1. STUD BRACKET 11661.XX AND 11662.XX WILL BE PLACED IN THE SAME LOCATION FOR BOTH THE ENCORE DUAL ARM OPERATOR AND THE ENCORE DYAD OPERATOR.

2. HOLD THIS DIMENSION AS CLOSE TO THE MINIMUM AS MANUFACTURING TOLERANCES ALLOW. A CLOSE FITTING CUT-OUT HELPS TO STABILIZE THE OPERATOR AGAINST ROCKING.

3. GASKET 32658 IS REQUIRED ON PVC AND METAL PROFILES FOR AN IMPROVED AIR AND WATER SEAL

FIG. 10 ENCORE DUAL ARM OPERATOR (SILL MOUNT VERSION) (LOW PROFILE)



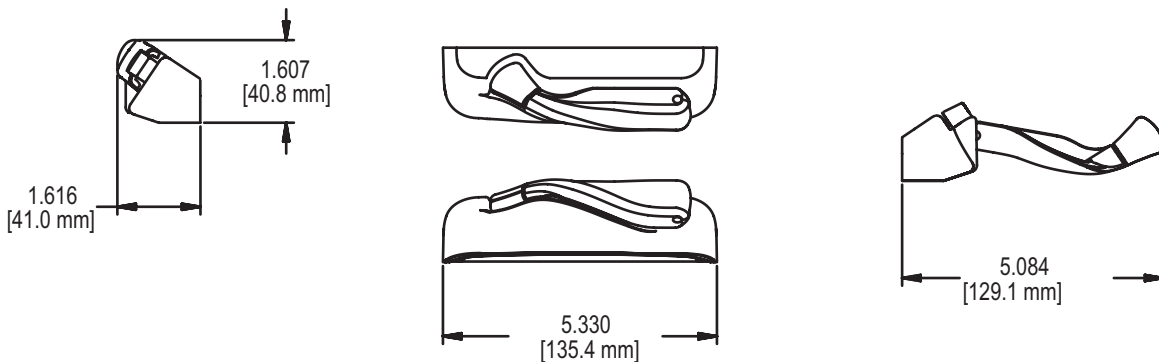
50.11.XX.011
LEFT HAND SHOWN

RECOMMENDED SCREWS:

(QTY 6)(PN 19240.XX) #8 X 1 FLAT HEAD SHEET METAL SCREWS (SEE TRUTH TIPS FOR MORE INFORMATION)

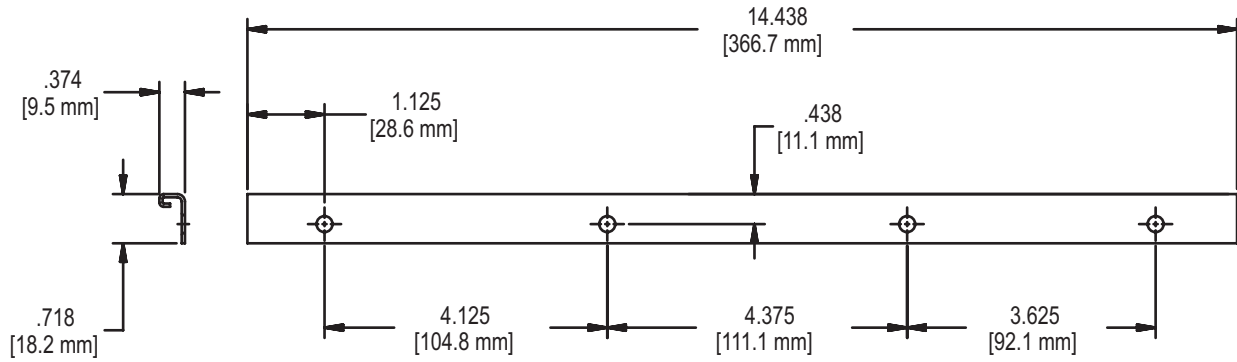
(QTY 2)REAR MOUNT:#8-32 X 3/8 PAN HEAD MACHINE SCREW PN 19545.XX

FIG. 11 ENCORE TANGO HANDLE/COVER 12614.XX(LH) (SHOWN), 12616.XX (RH)



ENCORE™ DUAL ARM OPERATOR (LOW PROFILE)

FIG. 12 TRACK 32384.XX

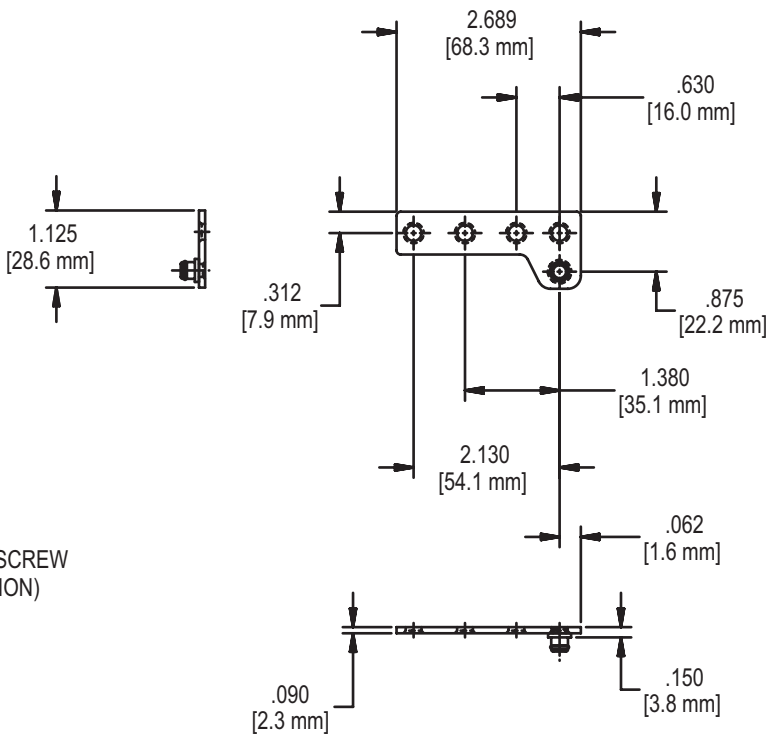


RECOMMENDED SCREWS:

(QTY 4)(PN 19070.XX) #7 X 1/2 FLAT HEAD UNDERCUT SHEET METAL SCREW (SEE TRUTH TIPS FOR MORE INFORMATION)

FIG. 13 STUD BRACKET 11661.XX(LH) (SHOWN) 11662.XX(RH)

HAND OF BRACKET DOES NOT NECESSARILY MATCH HAND OF OPERATOR



RECOMMENDED SCREWS:

(QTY 4)(PN 19205.XX)#8 X 1/2 SHEET METAL SCREW (SEE TRUTH TIPS FOR MORE INFORMATION)