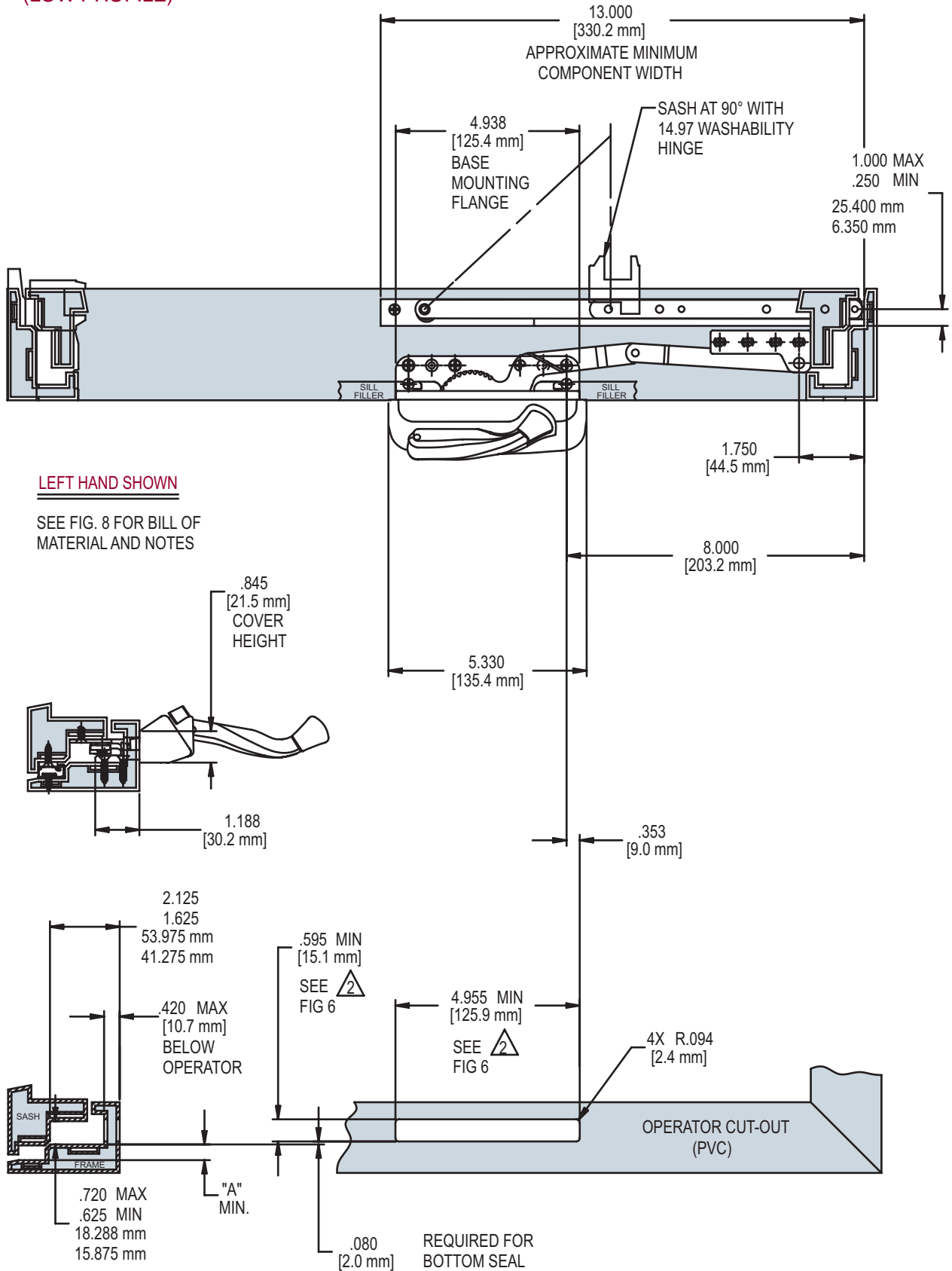
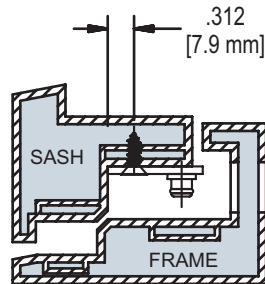


ENCORE™ DYAD OPERATOR (LOW PROFILE)

FIG. 7 APPLICATION OF ENCORE DYAD OPERATOR (SILL MOUNT VERSION) (LOW PROFILE)



**FIG. 8 APPLICATION OF ENCORE DYAD OPERATOR CONTINUED
(SILL MOUNT VERSION)
(LOW PROFILE)**




**11661.XX
BRACKET PLACEMENT**

HARDWARE SHOWN FOR LEFT HAND WINDOW, SEE FIG.7	
PART NUMBER	DESCRIPTION
50.61.00.XXX	DYAD OPERATOR
11661.XX	STUD BRACKET
14.97.00.XXX	WASHABILITY HINGE
12616.XX	TANGO HANDLE/COVER PACK
32658	GASKET (PVC)

HINGE	"A"
14.97.00.XXX	.422 [10.7 mm]
14.12.00.XXX	
OTHER 14 SERIES CASEMENT HINGES	.375 [9.5 mm]

NOTE:

1. ENCORE LOW PROFILE DYAD OPERATOR WITH 11661.XX L.H. OR 11662.XX R.H. STUD BRACKET REQUIRES THE SAME MOUNTING POSITION AS ENCORE LOW PROFILE DUAL ARM OPERATOR

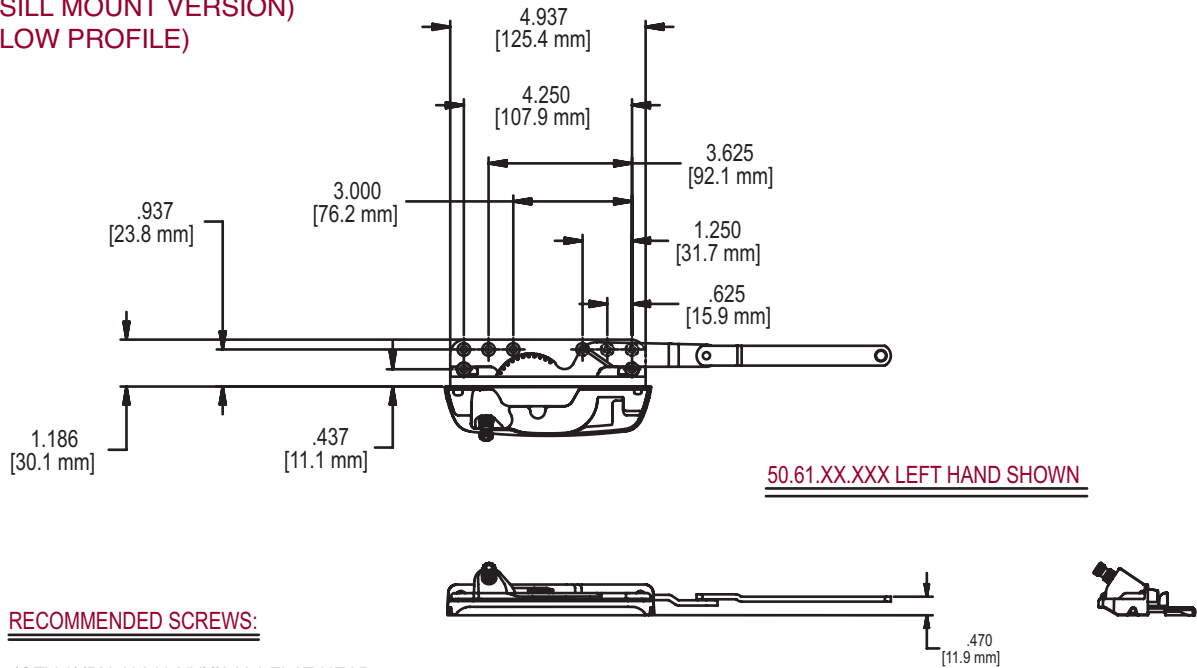
2.  HOLD THIS DIMENSION AS CLOSE TO THE MINIMUM AS MANUFACTURING TOLERANCES ALLOW. A CLOSE FITTING CUT-OUT HELPS TO STABILIZE THE OPERATOR AGAINST ROCKING

3. GASKET 32658 IS REQUIRED ON PVC AND METAL PROFILES FOR AN IMPROVED AIR AND WATER SEAL

4. HANDLE/COVER IS OPPOSITE HAND ON ENCORE DYAD OPERATORS. EXAMPLE: LH ENCORE DYAD OPERATORS REQUIRE RH HANDLE/COVER

ENCORE™ DYAD OPERATOR (LOW PROFILE)

FIG. 9 ENCORE DYAD OPERATOR (SILL MOUNT VERSION) (LOW PROFILE)



RECOMMENDED SCREWS:

(QTY 6)(PN 19240.XX)#8 X 1 FLAT HEAD SHEET METAL SCREW (SEE TRUTH TIPS FOR MORE INFORMATION)

(QTY 2)REAR MOUNT:#8-32 X 3/8 PAN HEAD MACHINE SCREW PN 19545.XX

FIG. 10 ENCORE TANGO HANDLE/COVER 12616.XX(RH) (SHOWN) 12614.XX(LH)

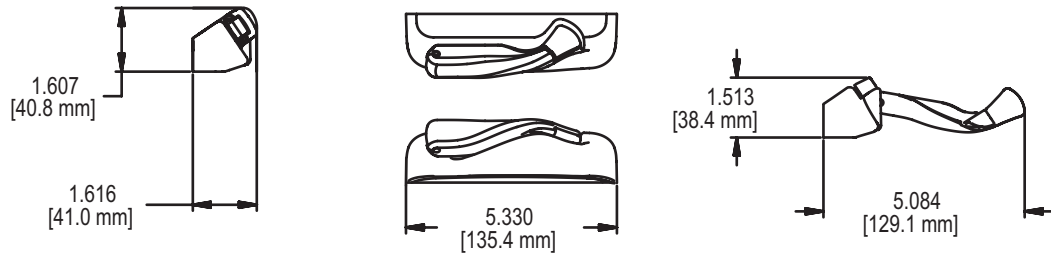


FIG. 11 STUD BRACKET 11661.XX(LH) (SHOWN) 11662.XX(RH)

HANDING OF BRACKET DOES NOT NECESSARILY MATCH HANDING OF OPERATOR

RECOMMENDED SCREWS:

(QTY 4)(PN 19205.XX)#8 X 1/2 FLAT HEAD SHEET METAL SCREW (SEE TRUTH TIPS FOR MORE INFORMATION)

