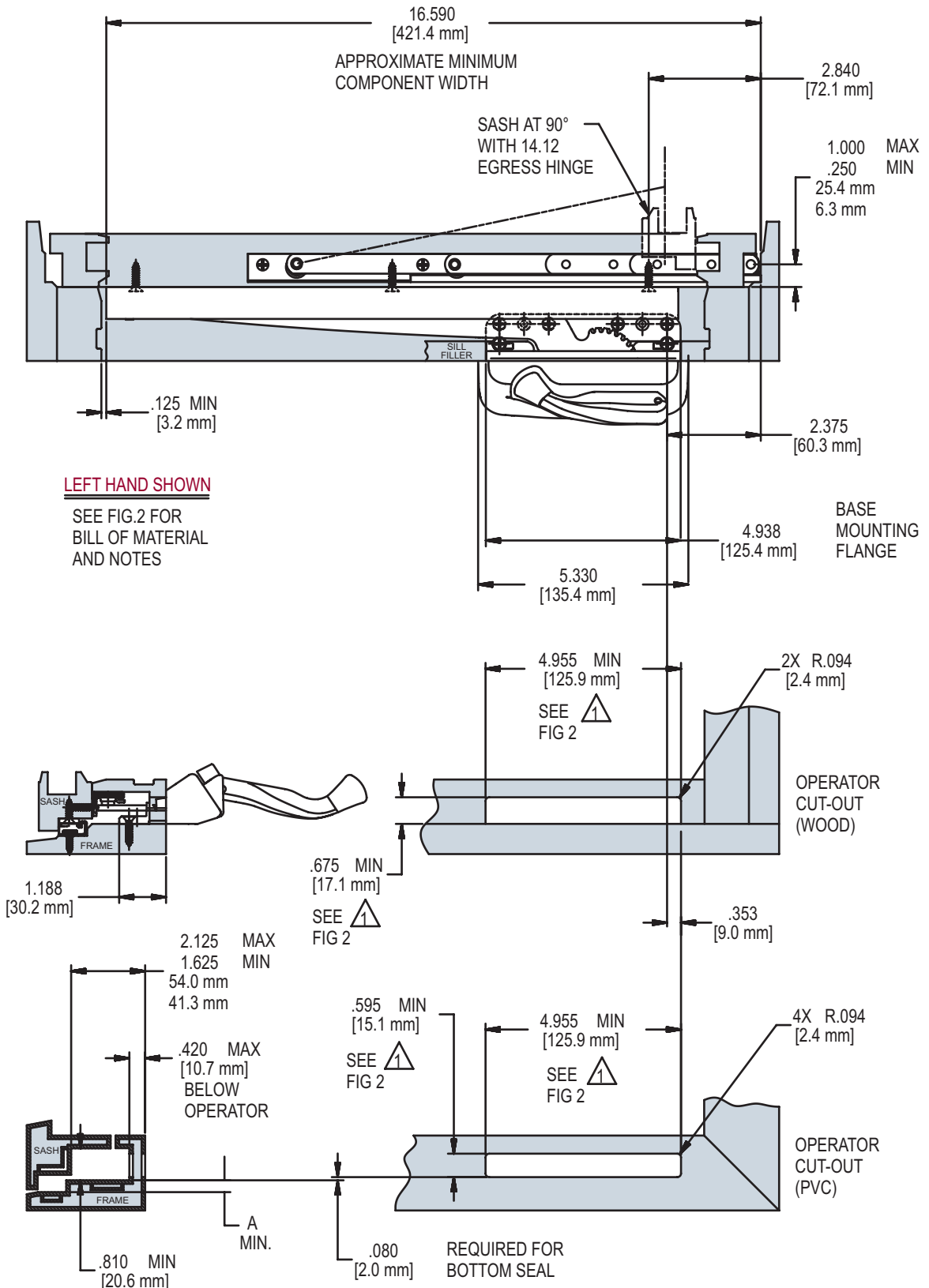
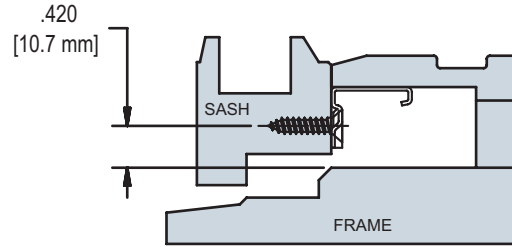


FIG. 1 APPLICATION OF ENCORE SINGLE ARM OPERATOR (SILL MOUNT VERSION)



ENCORE™ SINGLE ARM OPERATORS (SILL MOUNT)

FIG. 2 APPLICATION OF ENCORE SINGLE ARM OPERATOR CONTINUED (SILL MOUNT VERSION)



**11576.XX
TRACK PLACEMENT**

HARDWARE SHOWN FOR LEFT HAND WINDOW, SEE FIG.1	
PART NUMBER	DESCRIPTION
52.11.00.XXX	SINGLE ARM OPERATOR
11576.XX	TRACK ASSEMBLY
14.12.00.XXX	EGRESS HINGE
12614.XX	TANGO HANDLE/COVER PACK
32658	GASKET (PVC)

HINGE	"A"
14.97.00.XXX 14.12.00.XXX	.300 [7.6 mm]
OTHER 14 SERIES CASEMENT HINGES	.250 [6.4 mm]

NOTE:


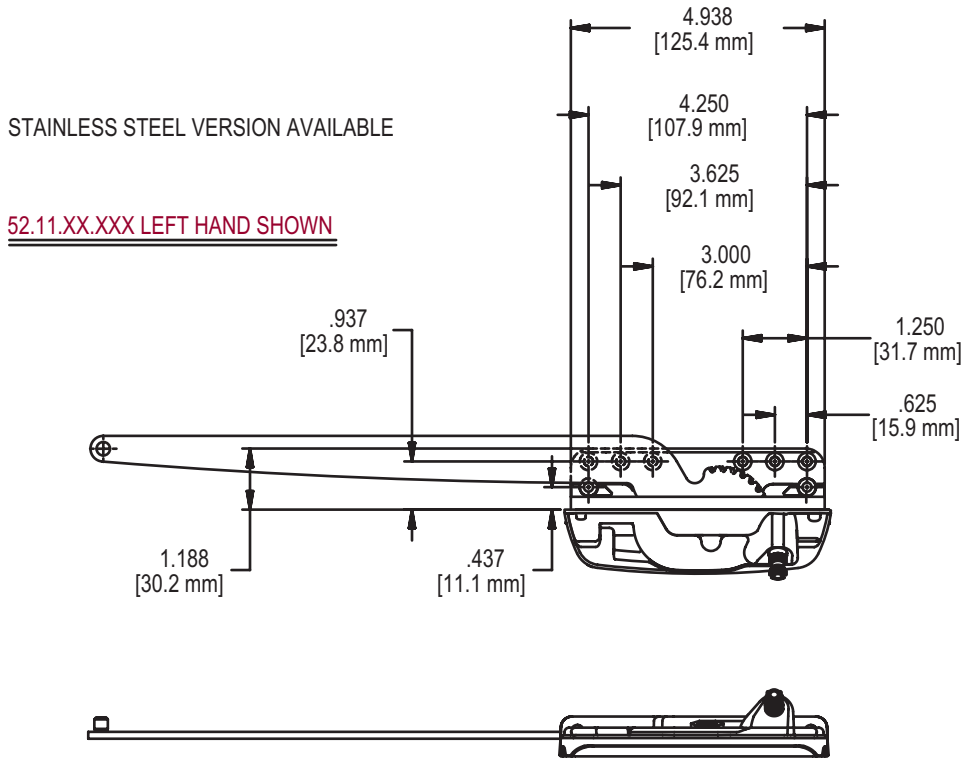
1.  HOLD THIS DIMENSION AS CLOSE TO THE MINIMUM AS MANUFACTURING TOLERANCES ALLOW. A CLOSE FITTING CUT-OUT HELPS TO STABILIZE THE OPERATOR AGAINST ROCKING
2. GASKET 32658 IS REQUIRED ON PVC AND METAL PROFILES FOR AN IMPROVED AIR AND WATER SEAL

FIG. 3 ENCORE SINGLE ARM OPERATOR (SILL MOUNT VERSION)

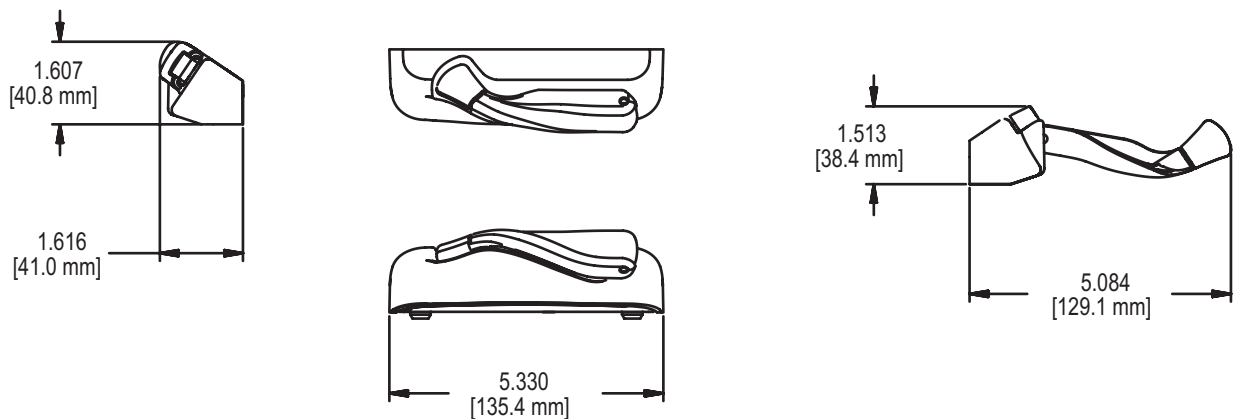


RECOMMENDED SCREWS:

(QTY 6)(PN 19240.XX) #8 X 1 FLAT HEAD SHEET METAL SCREW (SEE TRUTH TIPS FOR MORE INFORMATION)

(QTY 2)FOR REAR MOUNT:#8-32 X 3/8 PAN HEAD MACHINE SCREW PN 19545.XX

FIG. 4 ENCORE TANGO HANDLE/COVER 12614.XX(LH) (SHOWN) 12616.XX(RH)



ENCORE™ SINGLE ARM OPERATORS (SILL MOUNT)

FIG. 5 BACK PLATE 21969.92

FOR USE WITH
REAR MOUNT
VERSION ONLY

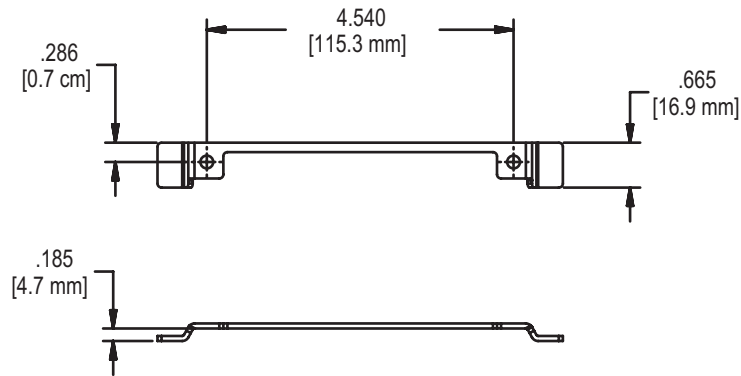
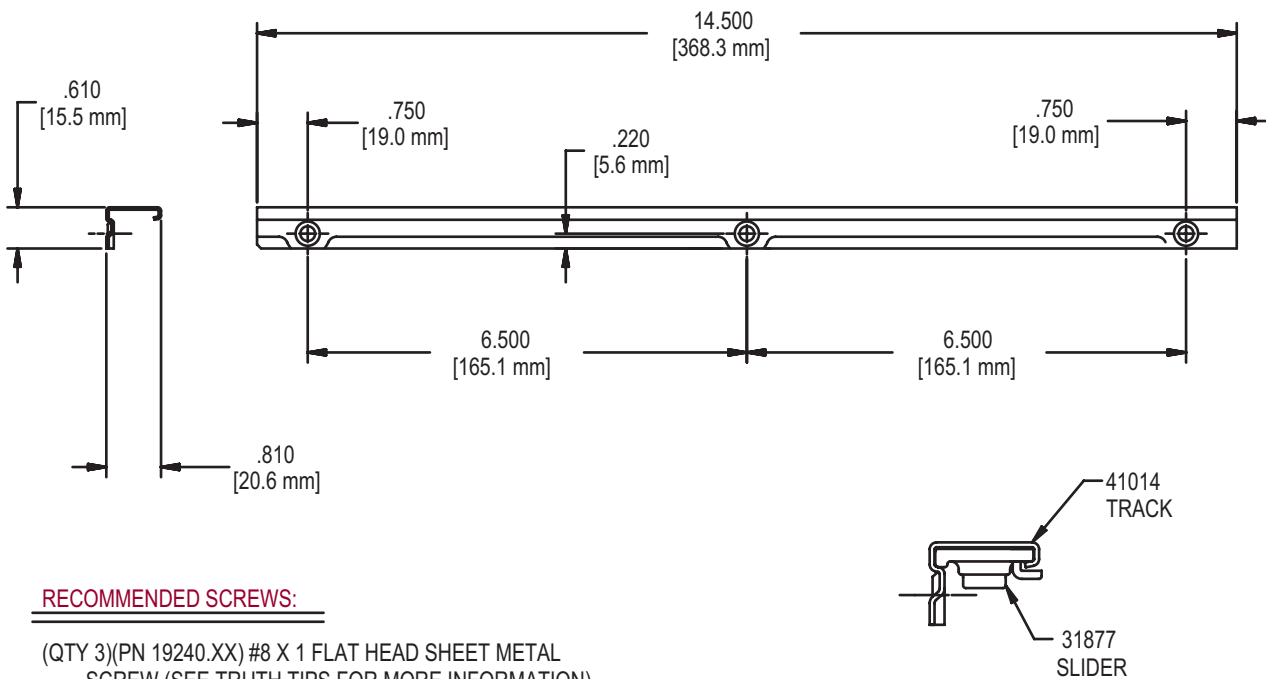


FIG. 6 TRACK & SLIDER ASSEMBLY 11576.XX

STAINLESS STEEL VERSION AVAILABLE



RECOMMENDED SCREWS:

(QTY 3)(PN 19240.XX) #8 X 1 FLAT HEAD SHEET METAL SCREW (SEE TRUTH TIPS FOR MORE INFORMATION)