



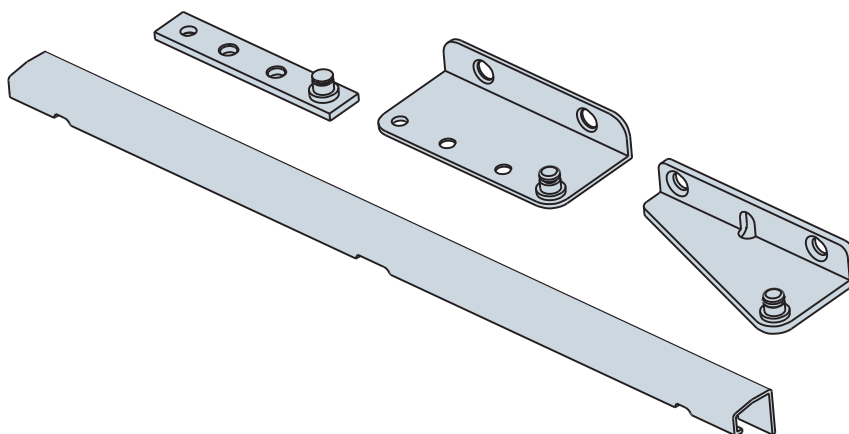
Truth realizes that some profile designs may require a unique stud bracket or track design therefore, Truth has developed a variety of shapes and styles to meet these needs. These brackets and track are intended to serve merely as options to the various “recommended” hardware which Truth has indicated for operators requiring this product. The drawings on the accompanying pages should provide you with all the technical information that you require. However, if you wish further technical assistance in selecting a bracket that works best with your window, please contact Truth. Most brackets are available in both a left- and right-hand version — pay careful attention to this when ordering.

WARRANTY:

Protected under the terms of the Truth Warranty for Window and Door Manufacturers and Authorized Distributors. Refer to Truth’s Terms and Conditions for further details.

E-GARD® HARDWARE:

Truth’s E-Gard® Hardware has a multi-stage coating process that produces a superior physical and aesthetic finish. Plus, it is resistant to a wider range of corrosive materials, including industrial cleaning materials and environmental pollutants. This proprietary process has been tested to be approximately three times better than common zinc plated finishes.

**ORDERING INFORMATION:**

1. Order part number based from information on accompanying drawings. XX - denote corrosion resistant coating. 92 is the finish code for Truth’s corrosion resistant E-Gard® Hardware.

TRUTH TIPS:

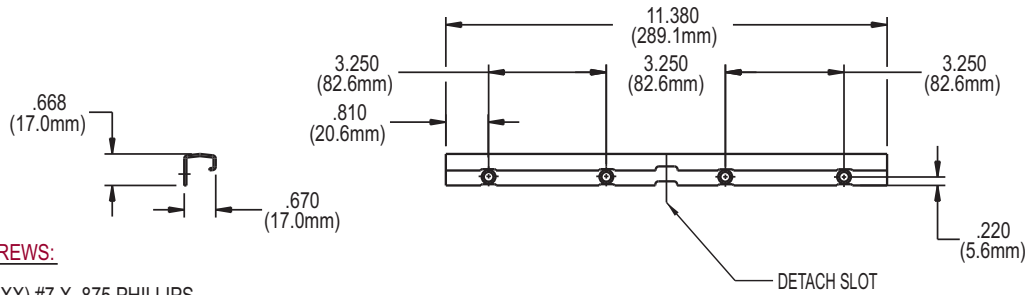
1. For accurate hardware placement in vinyl or metal applications, pre-drilling of the window profile is recommended.

2. For vinyl window applications, mounting screws should pass through two PVC walls, or one PVC wall and one insert wall. For this reason, it may be necessary to use a longer screw than is recommended.

3. For metal window profiles, Truth recommends machine screws. However, in most applications, sheet metal screws will provide adequate holding power.

4. When selecting mounting screws for Truth hardware, coating compatibility is one of the most important criteria. For best corrosion resistance the coating on the screws should be the same as the coating on the hardware. For more information see Tech Note #11.

FIG. 1 SINGLE ARM OPERATOR TRACK 30473.XX

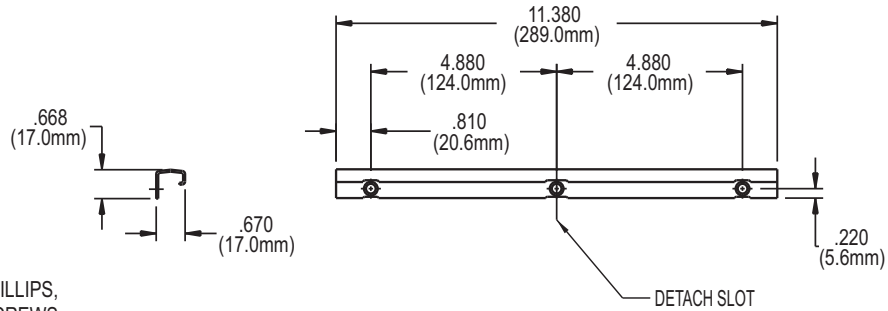


RECOMMENDED SCREWS:

WOOD: 4 (P/N 19140.XX) #7 X .875 PHILLIPS, FLAT HEAD, SHEET METAL SCREWS
 PVC & METAL: 4 - #7 PHILLIPS, FLAT HEAD SCREWS (LENGTH AND THREAD TYPE DETERMINED BY PROFILE)

31727 LIMITER TRACK ALSO AVAILABLE

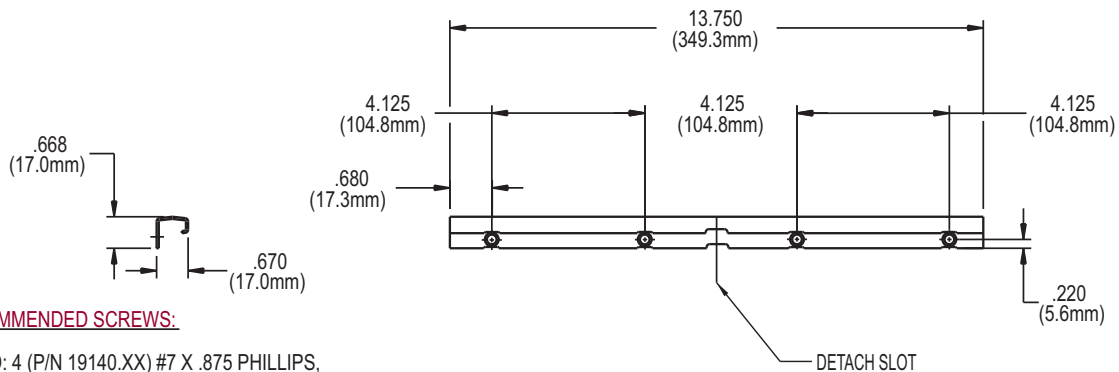
FIG. 2 SINGLE ARM OPERATOR TRACK 30706.XX



RECOMMENDED SCREWS:

WOOD: 3 (P/N 19140.XX) #7 X .875 PHILLIPS, FLAT HEAD, SHEET METAL SCREWS
 PVC & METAL: 3 - #7 PHILLIPS, FLAT HEAD SCREWS (LENGTH AND THREAD TYPE DETERMINED BY PROFILE)

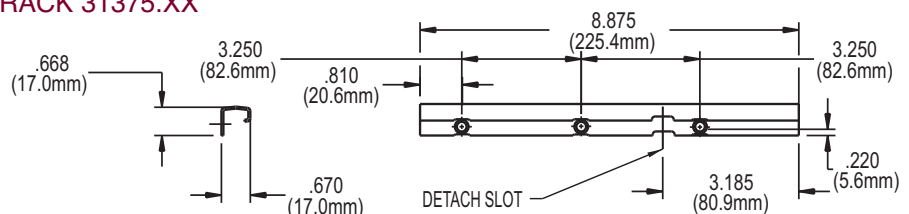
FIG. 3 SINGLE ARM OPERATOR TRACK 30150.XX



RECOMMENDED SCREWS:

WOOD: 4 (P/N 19140.XX) #7 X .875 PHILLIPS, FLAT HEAD, SHEET METAL SCREWS
 PVC & METAL: 4 - #7 PHILLIPS, FLAT HEAD SCREWS (LENGTH AND THREAD TYPE DETERMINED BY PROFILE)

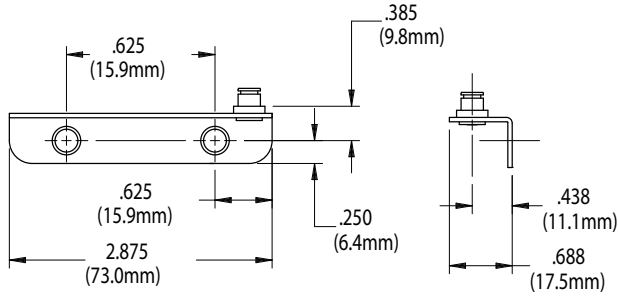
FIG. 4 SINGLE ARM OPERATOR TRACK 31375.XX



RECOMMENDED SCREWS:

WOOD: 3 (P/N 19140.XX) #7 X .875 PHILLIPS, FLAT HEAD, SHEET METAL SCREWS
 PVC & METAL: 3 - #7 PHILLIPS, FLAT HEAD SCREWS (LENGTH AND THREAD TYPE DETERMINED BY PROFILE)

FIG. 5 STUD BRACKET 10339.XX, 10340.XX



10339 LEFT HAND SHOWN

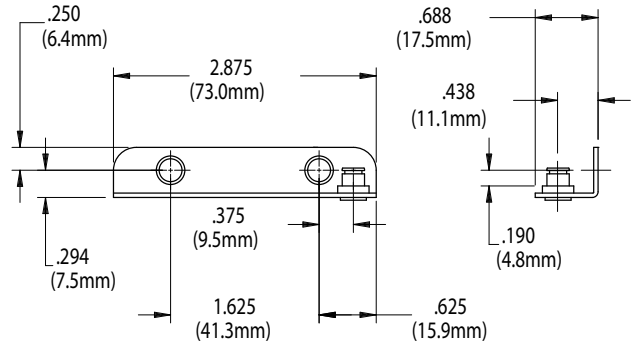
RECOMMENDED SCREWS:

WOOD: 2 (P/N 19140.XX) #7 X .875 PHILLIPS, FLAT HEAD, SHEET METAL SCREWS

PVC & METAL: 2 - #7 PHILLIPS, FLAT HEAD SCREWS (LENGTH AND THREAD TYPE DETERMINED BY PROFILE)

NOTE: 10340 RIGHT HAND

FIG. 6 STUD BRACKET 10402.XX, 10403.XX



10402 LEFT HAND SHOWN

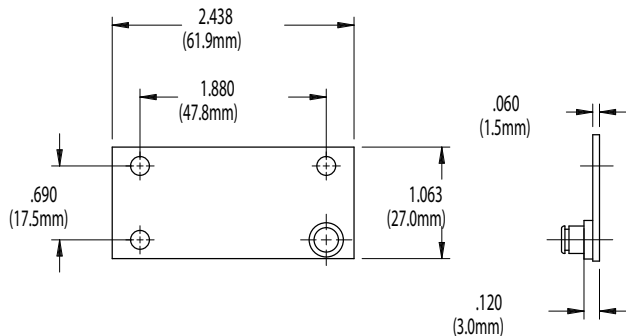
RECOMMENDED SCREWS:

WOOD: 2 (P/N 19140.XX) #7 X .875 PHILLIPS, FLAT HEAD, SHEET METAL SCREWS

PVC & METAL: 2 - #7 PHILLIPS, FLAT HEAD SCREWS (LENGTH AND THREAD TYPE DETERMINED BY PROFILE)

NOTE: 10403 RIGHT HAND

FIG. 7 STUD BRACKET 10456.XX, 10457.XX



10456 LEFT HAND SHOWN

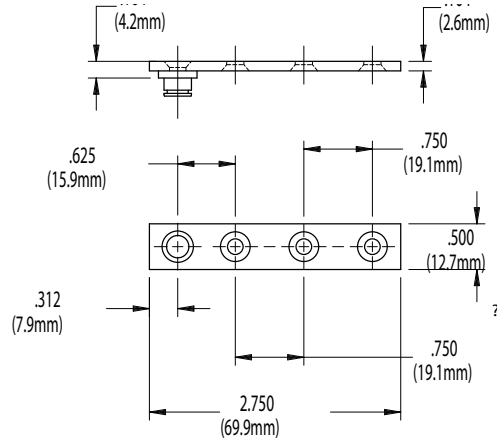
RECOMMENDED SCREWS:

WOOD: 3 (P/N 19355.XX) #10 X .750 PHILLIPS, PAN HEAD, SHEET METAL SCREWS

PVC & METAL: 3 - #10 PHILLIPS, PAN HEAD SCREWS (LENGTH AND THREAD TYPE DETERMINED BY PROFILE)

NOTE: 10457 RIGHT HAND

FIG. 8 STUD BRACKET 10558.XX, 10968.XX (SNAP STUD)



NON HANDED

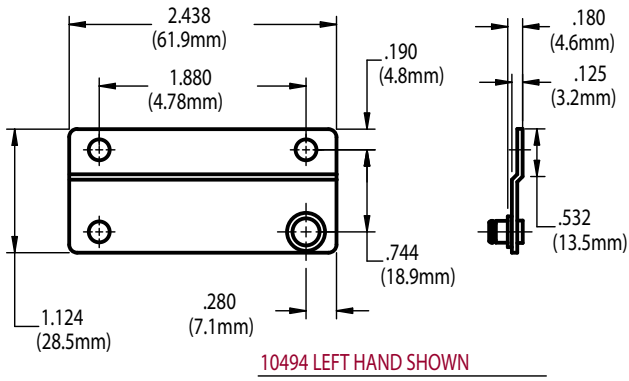
RECOMMENDED SCREWS:

WOOD: 3 (P/N 19240.XX) #8 X 1.0 PHILLIPS, FLAT HEAD, SHEET METAL SCREWS

PVC & METAL: 3 - #8 PHILLIPS, PAN HEAD SCREWS (LENGTH AND THREAD TYPE DETERMINED BY PROFILE)

NOTE: 10498 SHOWN

FIG. 9 STUD BRACKET 10494.XX, 10495.XX



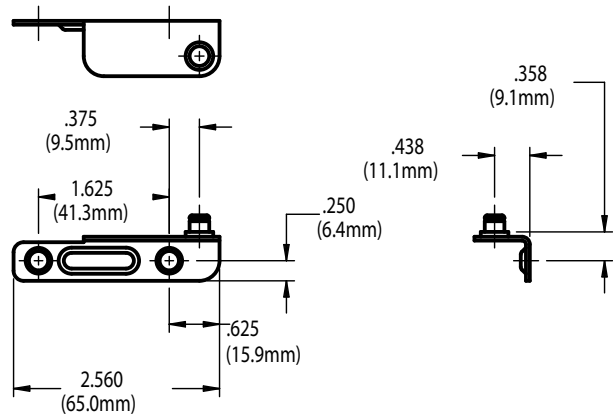
RECOMMENDED SCREWS:

WOOD: 3 (P/N 19355.XX) #10 X .750 PHILLIPS, PAN HEAD, SHEET METAL SCREWS

PVC & METAL: 3 - #10 PHILLIPS, PAN HEAD SCREWS
(LENGTH AND THREAD TYPE DETERMINED BY PROFILE)

NOTE: 10495 RIGHT HAND

FIG. 10 STUD BRACKET 10498.XX, 10499.XX



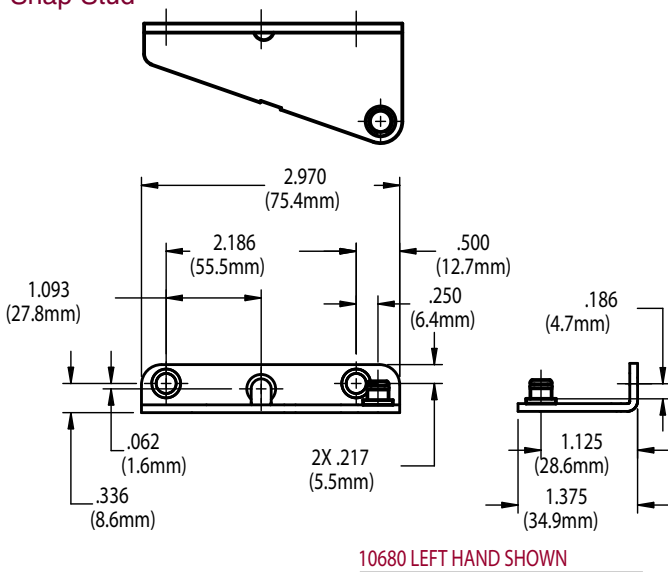
RECOMMENDED SCREWS:

WOOD: 2 (P/N 19140.XX) #7 X .875 PHILLIPS, FLAT HEAD, SHEET METAL SCREWS

PVC & METAL: 2 - #7 PHILLIPS, FLAT HEAD SCREWS
(LENGTH AND THREAD TYPE DETERMINED BY PROFILE)

NOTE: 10499 RIGHT HAND

FIG. 11 STUD BRACKET 10680.XX, 10681.XX
Snap Stud



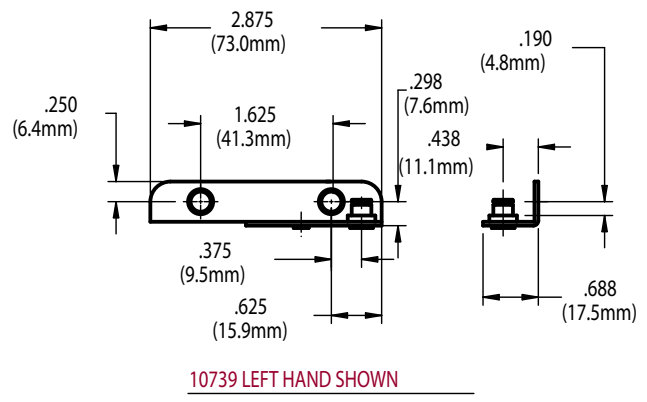
RECOMMENDED SCREWS:

WOOD: 3 (P/N 19140.XX) #7 X .875 PHILLIPS, FLAT HEAD, SHEET METAL SCREWS

PVC & METAL: 3 - #7 PHILLIPS, FLAT HEAD SCREWS
(LENGTH AND THREAD TYPE DETERMINED BY PROFILE)

NOTE: 10681 RIGHT HAND

FIG. 12 STUD BRACKET 10739.XX, 10740.XX



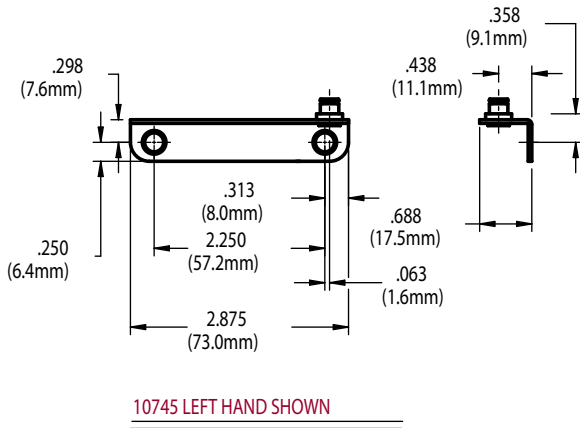
RECOMMENDED SCREWS:

WOOD: 2 (P/N 19140.XX) #7 X .875 PHILLIPS, FLAT HEAD, SHEET METAL SCREWS

PVC & METAL: 2 - #7 PHILLIPS, FLAT HEAD SCREWS
(LENGTH AND THREAD TYPE DETERMINED BY PROFILE)

NOTE: 10740 RIGHT HAND

FIG. 13 STUD BRACKET 10745.XX, 10746.XX



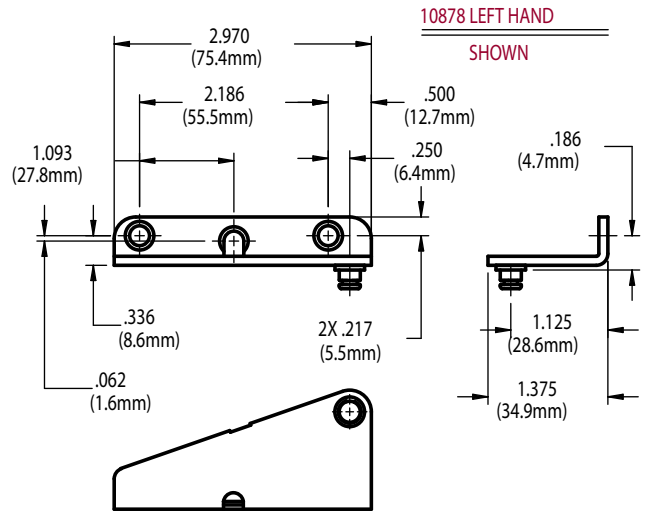
RECOMMENDED SCREWS:

WOOD: 2 (P/N 19140.XX) #7 X .875 PHILLIPS, FLAT HEAD, SHEET METAL SCREWS

PVC & METAL: 2 - #7 PHILLIPS, FLAT HEAD SCREWS (LENGTH AND THREAD TYPE DETERMINED BY PROFILE)

NOTE: 10746 RIGHT HAND

FIG. 14 STUD BRACKET 10748.XX, 10749.XX



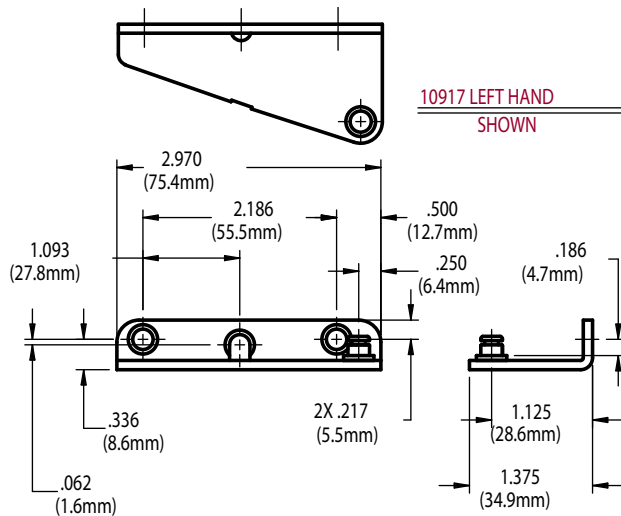
RECOMMENDED SCREWS:

WOOD: 2 (P/N 19140.XX) #7 X .875 PHILLIPS, FLAT HEAD, SHEET METAL SCREWS

PVC & METAL: 2 - #7 PHILLIPS, FLAT HEAD SCREWS (LENGTH AND THREAD TYPE DETERMINED BY PROFILE)

NOTE: 10749 RIGHT HAND

FIG. 15 STUD BRACKET 10917.XX, 10918.XX



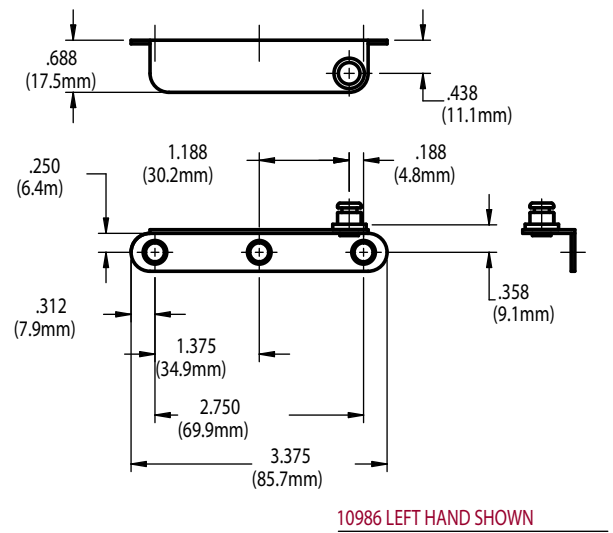
RECOMMENDED SCREWS:

WOOD: 2 (P/N 19140.XX) #7 X .875 PHILLIPS, FLAT HEAD, SHEET METAL SCREWS

PVC & METAL: 2 - #7 PHILLIPS, FLAT HEAD SCREWS (LENGTH AND THREAD TYPE DETERMINED BY PROFILE)

NOTE: 10918 RIGHT HAND

FIG. 16 STUD BRACKET 10986.XX, 10987.XX



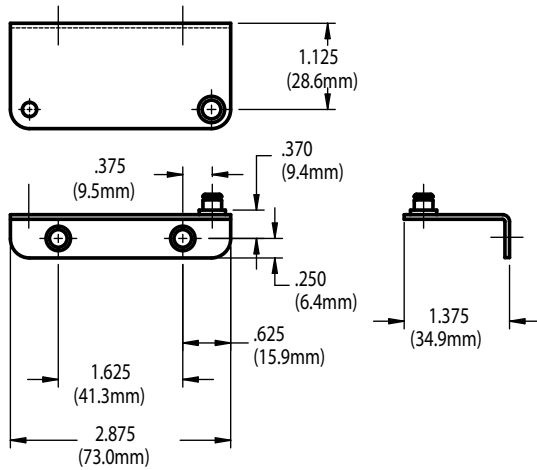
RECOMMENDED SCREWS:

WOOD: 2 (P/N 19140.XX) #7 X .875 PHILLIPS FLAT HEAD, SHEET METAL SCREWS

PVC & METAL: 2 - #7 PHILLIPS, FLAT HEAD SCREWS (LENGTH AND THREAD TYPE DETERMINED BY PROFILE)

NOTE: 10987 RIGHT HAND

FIG. 17 STUD BRACKET 10583.XX, 10584.XX



10583 LEFT HAND SHOWN

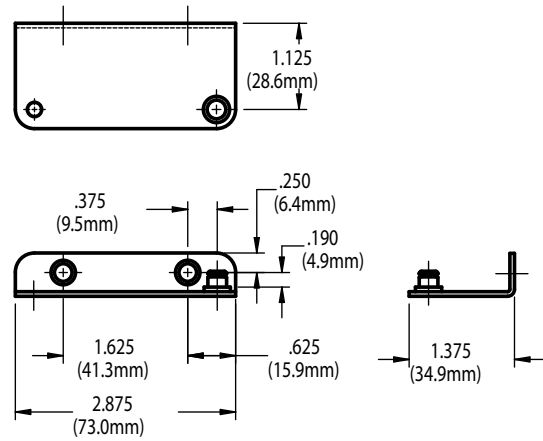
RECOMMENDED SCREWS:

WOOD: 2 (P/N 19140.XX) #7 X .875 PHILLIPS FLAT HEAD, SHEET METAL SCREWS

PVC & METAL: 2 - #7 PHILLIPS, FLAT HEAD SCREWS (LENGTH AND THREAD TYPE DETERMINED BY PROFILE)

NOTE: 10584 RIGHT HAND

FIG. 18 STUD BRACKET 10415.XX, 10416.XX



10415 LEFT HAND SHOWN

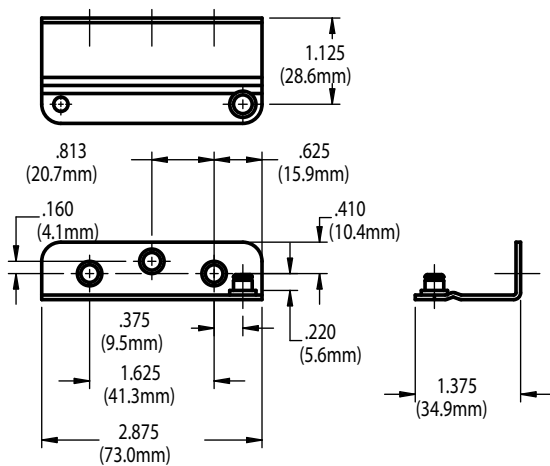
RECOMMENDED SCREWS:

WOOD: 2 (P/N 19140.XX) #7 X .875 PHILLIPS FLAT HEAD, SHEET METAL SCREWS

PVC & METAL: 2 - #7 PHILLIPS, FLAT HEAD SCREWS (LENGTH AND THREAD TYPE DETERMINED BY PROFILE)

NOTE: 10416 RIGHT HAND

FIG. 19 STUD BRACKET 10521.XX, 10522.XX



10522 LEFT HAND SHOWN

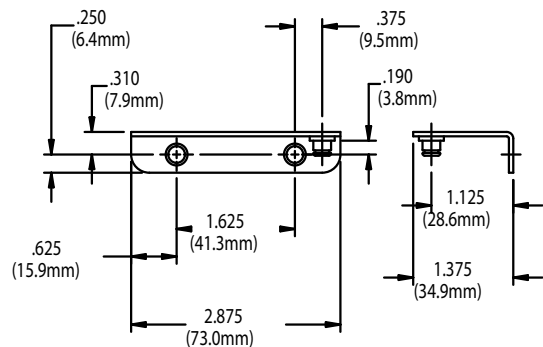
RECOMMENDED SCREWS:

WOOD: 2 (P/N 19140.XX) #7 X .875 PHILLIPS FLAT HEAD, SHEET METAL SCREWS

PVC & METAL: 2 - #7 PHILLIPS, FLAT HEAD SCREWS (LENGTH AND THREAD TYPE DETERMINED BY PROFILE)

NOTE: 10522 RIGHT HAND

FIG. 20 STUD BRACKET 10795.XX, 10796.XX



10795 LEFT HAND SHOWN

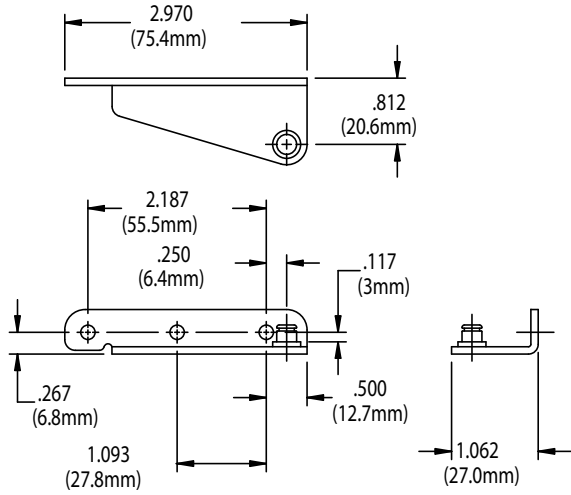
RECOMMENDED SCREWS:

WOOD: 3 (P/N 19140.XX) #7 X .875 PHILLIPS, PAN HEAD, SHEET METAL SCREWS

PVC & METAL: 3 - #7 PHILLIPS, PAN HEAD SCREWS (LENGTH AND THREAD TYPE DETERMINED BY PROFILE)

NOTE: 10796 RIGHT HAND

FIG. 21 STUD BRACKET 11253.XX, 11254.XX



11253 LEFT HAND SHOWN

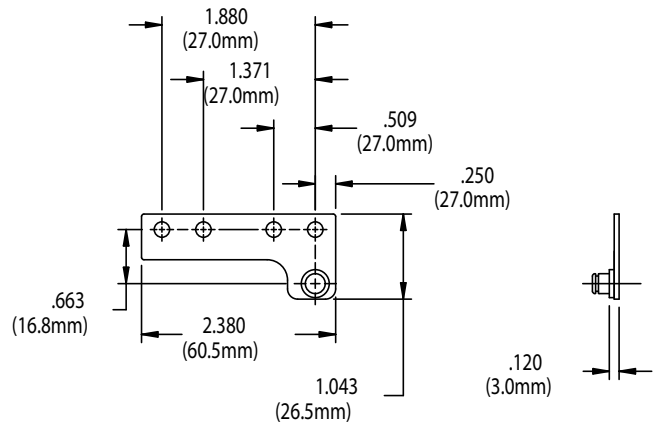
RECOMMENDED SCREWS:

WOOD: 3 (P/N 19140.XX) #7 X .875 PHILLIPS, PAN HEAD, SHEET METAL SCREWS

PVC & METAL: 3 - #7 PHILLIPS, PAN HEAD SCREWS
(LENGTH AND THREAD TYPE DETERMINED BY PROFILE)

NOTE: 11254 RIGHT HAND

FIG. 22 STUD BRACKET 11257.XX, 11258.XX



11257 LEFT HAND SHOWN

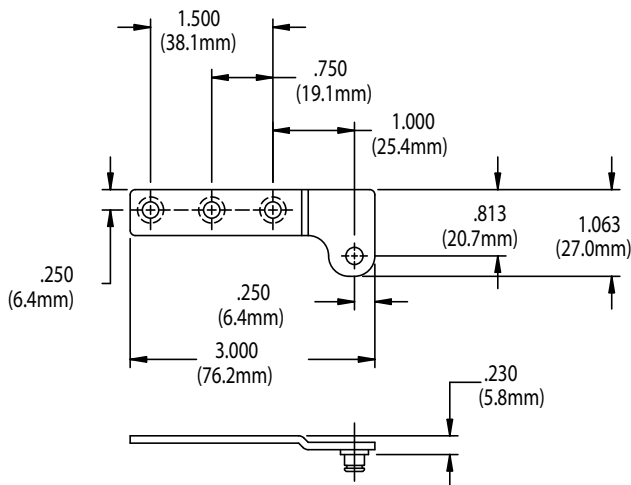
RECOMMENDED SCREWS:

WOOD: 3 (P/N 19140.XX) #7 X .875 PHILLIPS, PAN HEAD, SHEET METAL SCREWS

PVC & METAL: 3 - #7 PHILLIPS, PAN HEAD SCREWS
(LENGTH AND THREAD TYPE DETERMINED BY PROFILE)

NOTE: 11258 RIGHT HAND

FIG. 23 STUD BRACKET 12550.XX, 12551.XX



12551 RIGHT HAND SHOWN

RECOMMENDED SCREWS:

WOOD: 3 (P/N 19140.XX) #7 X .875 PHILLIPS, PAN HEAD, SHEET METAL SCREWS

PVC & METAL: 3 - #7 PHILLIPS, PAN HEAD SCREWS
(LENGTH AND THREAD TYPE DETERMINED BY PROFILE)

NOTE: 12550 LEFT HAND

