

- The #2995 series handle set is one of the industry's most popular handle sets. These non-handed interior and exterior handle sets are for use on aluminum, vinyl, or wood framed patio doors.
- The #2995 series works well with industry standard single point mortise-type locks.
- The #2995 series outside handle is available with or without lock cylinder.
- #2995 series inside handles may also be combined with Truth's standard outside pulls for differentiated appearance and price points.
- Industry compatible mounting hole pattern makes the #2995 interchangeable with all popular handle sets for OEM and retrofit.
- Optional lever handle locations are available based on position of mortise lock within sash.
- Extended bosses on the #2995 series inside and outside bases prevent slippage and creep.
- Different lever lengths and fasteners are available to accommodate various door widths (stile thickness).
- The unique design of the #2995 Series Handle Sets provides for extra security - as no screws are accessible from the outside.

#### MATERIAL & FINISHES:

Available in either solid brass or painted zinc die cast. Paint finishes are electrostatically applied, durable coatings that provide excellent resistance to chipping, scratching and corrosion while maintaining color stability for years in direct sunlight. Please refer to Truth's Color Chart for examples of Truth's most popular finish options. Truth also offers this product in a decorative plated brass finish - contact Truth for additional information on availability of optional plated finishes. These handle pulls and escutcheon parts are interchangeable amongst finish options to achieve the desired aesthetic appearance.

#### WARRANTY:

Protected under the terms of the Truth Warranty for Window and Door Manufacturers and Authorized Distributors. Refer to Truth's Terms & Conditions for further details.



#### ORDERING INFORMATION:

To customize the hardware package\* containing the specific items you require for your door system, please select from the following options:

1. Order non-handed 2995 Series Inside Handle Set (which includes #32419.XX Inside Pull, #32390.XX Inside Escutcheon, and #32362.XX Lever).
2. Select 2995 Series Outside Handle Set with or without lock cylinder (for other available options - see table in Fig. 2 or Outside Pull catalog section)
3. Select Mortise Lock and Keeper item numbers (see table in Fig. 1 or Mortise Lock & Keeper Section for further details).
4. Specify finish.
5. Specify fasteners. Note: Please specify door panel thickness to determine screw length required.

Optional Hardware (sold separately)

- Key Lock Cylinder
  - Specify thickness of door.
  - Specify keyed-alike, keyed different, or master-key option.

#### Special Ordering Notes:

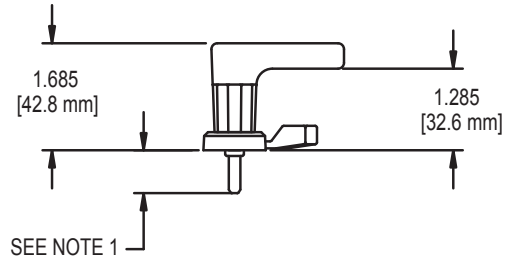
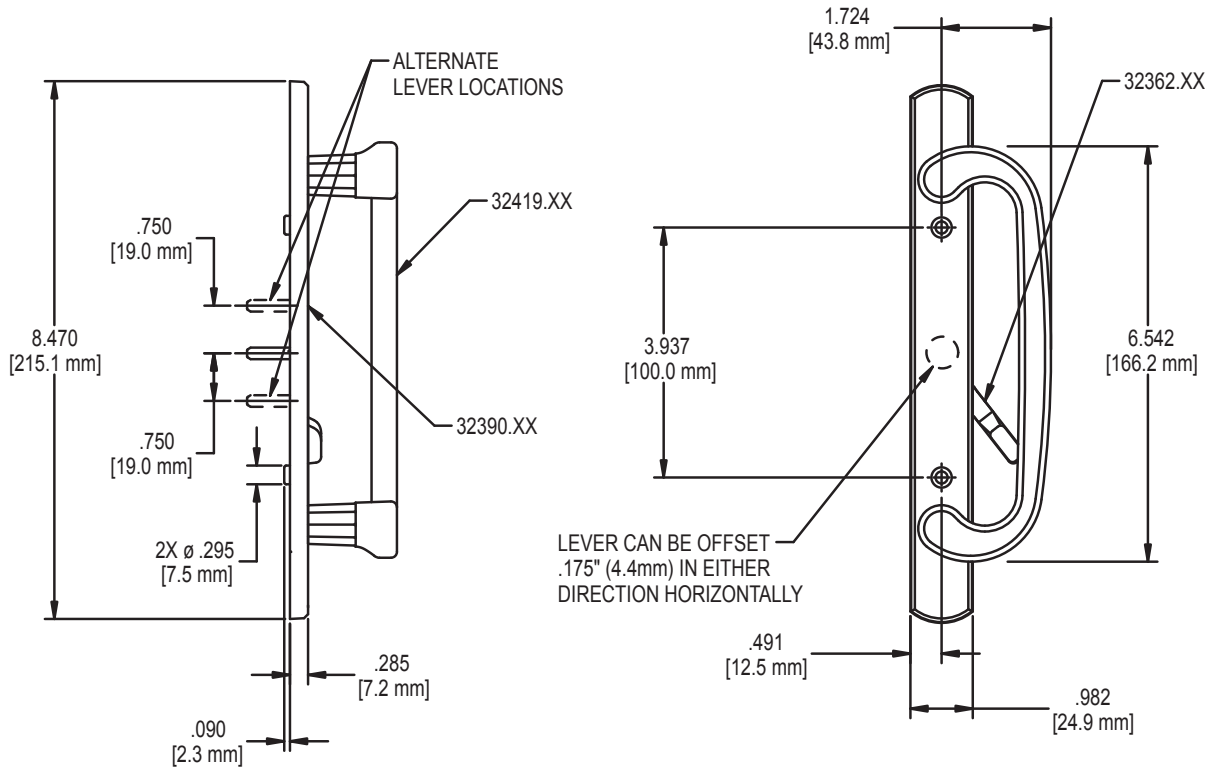
- Assembly mounts with two #8 machine screws through the stile and into the tapped holes in the exterior pull.
- When used with an exterior key lock cylinder, consult key lock cylinder blade length table in Fig. 5 of Handleset Accessories section. Stock drive blade lengths are: .530", .660", .750", .810", 1.200" and 1.300".

\* Contact your Truth Representative after you have made the above selections so that a customized "kit" package can be created to simplify your ordering.

#### TRUTH TIPS:

1. A Truth Hardware Secondary Patio Door Lock or Limiter can be added for applications requiring additional security.
2. Bumper guards (Truth item number 22082.XX), to keep door sash from contacting the opposite jamb during its travel, are highly recommended (see Handleset Accessories section).
3. The use of frame adjusters (Jamb Jacks) is recommended for easy correction of out of square or racked door installations. Frame adjustment can improve both weather seal tightness and door operation over the

FIG. 1 2995 SERIES INSIDE PULL



AVAILABLE OUTSIDE PULLS		
DESCRIPTION	PART NO.	"X" (SEE NOTE 2)
2995 W/O CYL	32419.XX/32325.XX	.246 (6.2mm)
2995 W CYL	32419.XX/32462.XX	
*2949 W/O CYL	32434.XX	.621 (15.8mm)
*2949 W CYL	32438.XX	
*2939 W/O CYL	32442.XX	
*2939 W CYL	32479.XX	

HARDWARE SHOWN	
INSIDE PULL	32419.XX
INSIDE ESCUTCHEON	32390.XX
LEVER	32362.XX

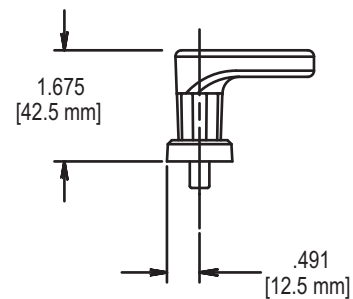
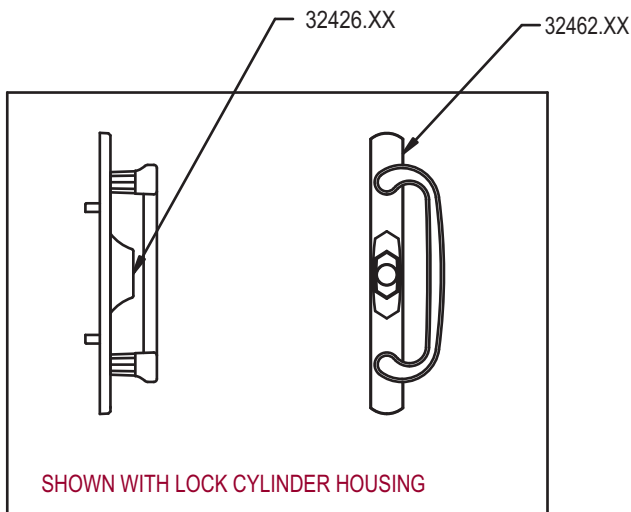
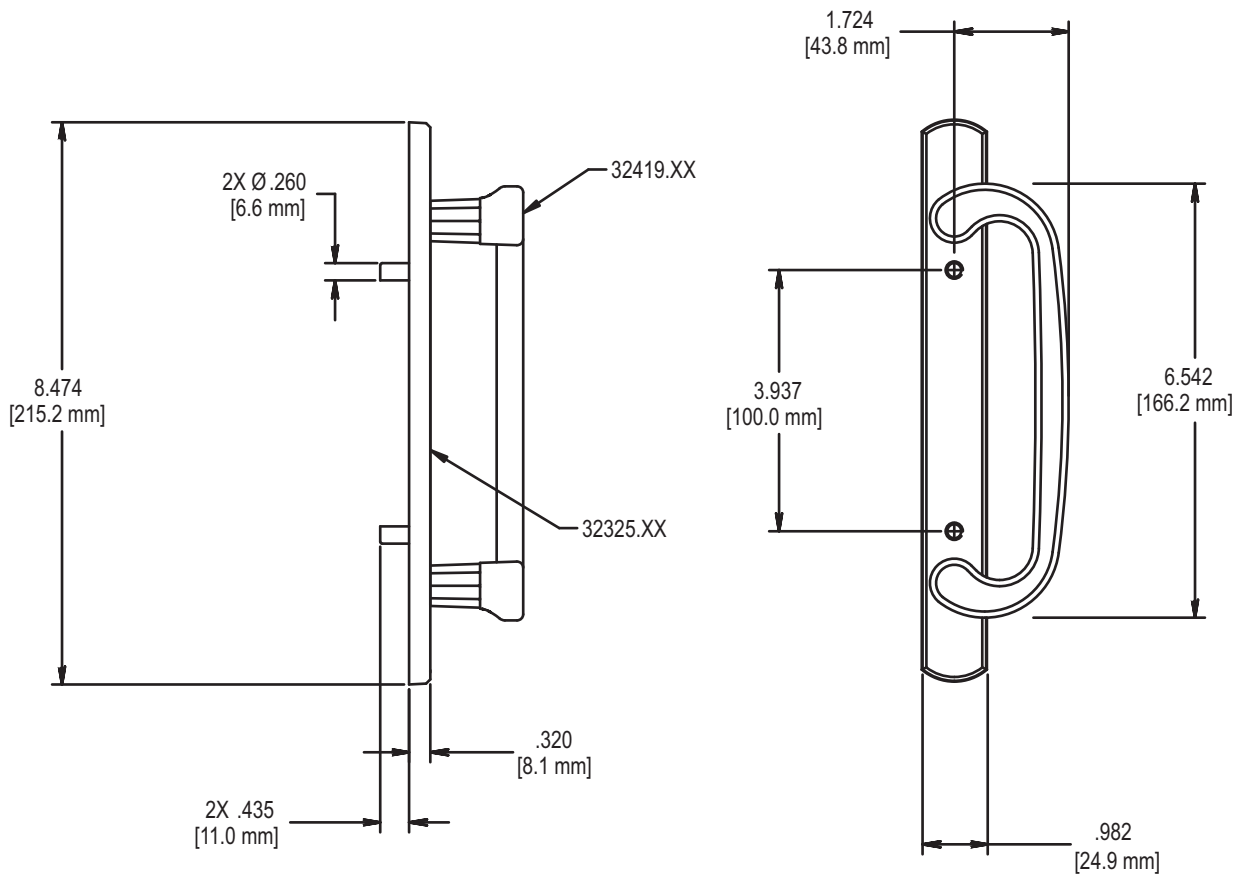
.XX INDICATES FINISH  
 \*SEE OUTSIDE PULL CATALOG SECTION FOR DETAILS

**AVAILABLE MORTISE LOCKS
32435
32436
32461
32439

- NOTES:
1. BLADE LENGTH = 1/2 DOOR THICKNESS WHEN USED WITH LOCK CYLINDER (WILL VARY; FORMULA BASED ON CENTERED MORTISE LOCK)
  2. MOUNTING SCREW LENGTH = DOOR THICKNESS + "X"

\*\*SEE MORTISE LOCK CATALOG SECTION FOR DETAILS

FIG. 2 2995 SERIES OUTSIDE PULL



NOTES:

1. HANDLE IS TAPPED TO ACCEPT 8-32 MOUNTING SCREWS
2. KEY CYLINDER IS ORDERED SEPARATELY

HARDWARE SHOWN	
HANDLE 2295 SERIES	32419.XX
OUTSIDE ESCUTCHEON	32325.XX
LOCK CYLINDER HOUSING	32426.XX

2995 PATIO DOOR  
HANDLE SETS