

- Truth Hardware's economically priced #2939, #2940 & #2949 series are projecting exterior patio door pulls that, as an option, can house a key lock cylinder for outside key lock operation.
- The #2939 and #2949 Series Exterior Pulls are designed to be used only with mortise lock handle designs.
- The #2949 series is smoothly contoured for a contemporary European look.
- The traditional #2940 Series Exterior Pull is designed primarily to be used with Clam and Insert-type handles, such as Truth's #2041 Series and #40.63/64 Series interior surface-mounted handle and lock sets. The #2940 Series can also accommodate some mortise lock handles.
- When a key lock is required, the cylinder hole plug may be removed (pushed out or drilled) in the field by the installer for retrofitting, or removal may be factory specified. Anti-knock-out plugs are available for added security when pulls are mounted without lock cylinders.
- On #2940 series pulls, when a key lock is installed, only a portion of the cylinder length is enclosed. Approximately .28" of the cylinder projects from the back, to be inserted into a .593" diameter hole in the stile.
- Conversely, the 1.33" height of the #2939 and #2949 series pulls permit the complete enclosure of the key lock cylinder, when the key lock option is chosen.
- On the backside of the #2940 series are four tapped screw holes. The orientation of these two pairs of mounting holes will correspond to the various interior handle screw holes and secure the pull to the stile.
- #2940 series low profile outside pull is used primarily on aluminum door applications with insert or clam latch style interior handles.
- On the backside of the #2939 and #2949 series are six tapped screw holes, two of which secure the pull to the stile. The six holes translate into three pairs of holes on 3.937" centers. These holes allow for vertical alignment of the pull with the screws when installed with a lock cylinder.



- Two anti-slide gaskets are supplied with each pull to keep pull stationary on stile.

#### **MATERIAL & FINISHES:**

Available in zinc die cast and painted. Paint Finishes are electrostatically applied, durable coatings that provide excellent resistance to chipping, scratching and corrosion while maintaining color stability for years in direct sunlight. Please refer to Truth's Color Chart for examples of Truth's most popular finish options.

#### **WARRANTY:**

Protected under the terms of the Truth Warranty for Window and Door Manufactures and Authorized Distributors. Refer to Truth's Terms & Conditions for further details.

#### **ORDERING INFORMATION:**

1. Order item number corresponding to desired Outside Pull.
2. Specify finish.
3. Specify fasteners (sold separately).  
Note: Please identify thickness of door pane to determine screw length required.

4. To determine blade length for key lock cylinder refer to Fig. 5.

#### **TRUTH TIPS:**

1. A Truth Hardware Secondary Patio Door Lock or Limiter can be added for applications requiring additional security.
2. Bumper guards (Truth item number 22082.XX), to keep door sash from contacting the opposite jamb during its travel, are highly recommended (see Handleset Accessories section).
3. The use of frame adjusters (Jamb Jacks) is recommended for easy correction of out of square or racked door installations. Frame adjustment can improve both weather seal tightness and door operation over the life of the door.

FIG. 1 2939 SERIES OUTSIDE PULL

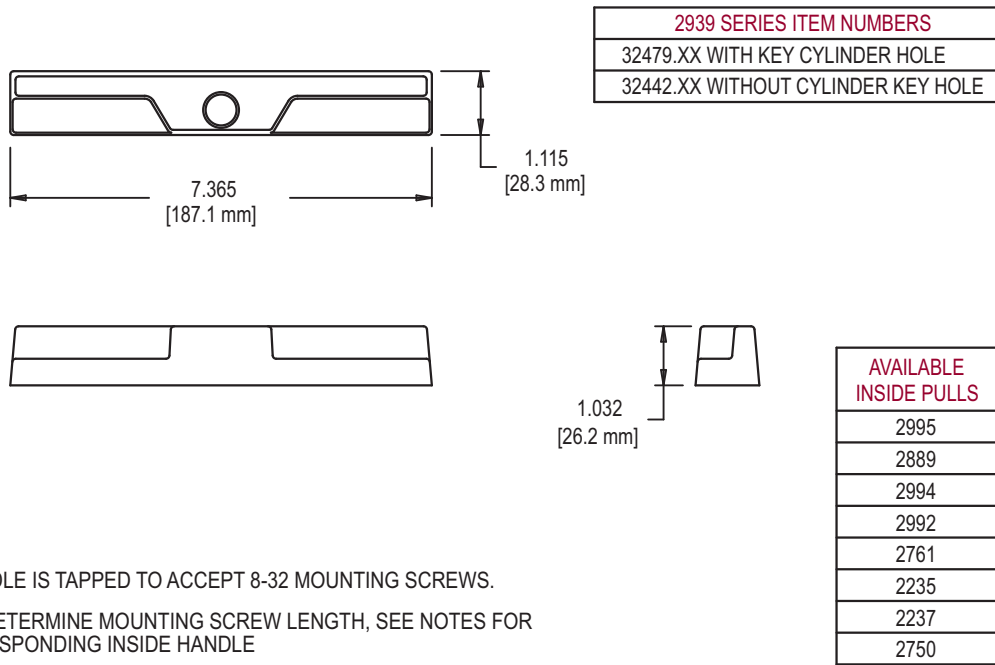


FIG. 2 2940 SERIES OUTSIDE PULL

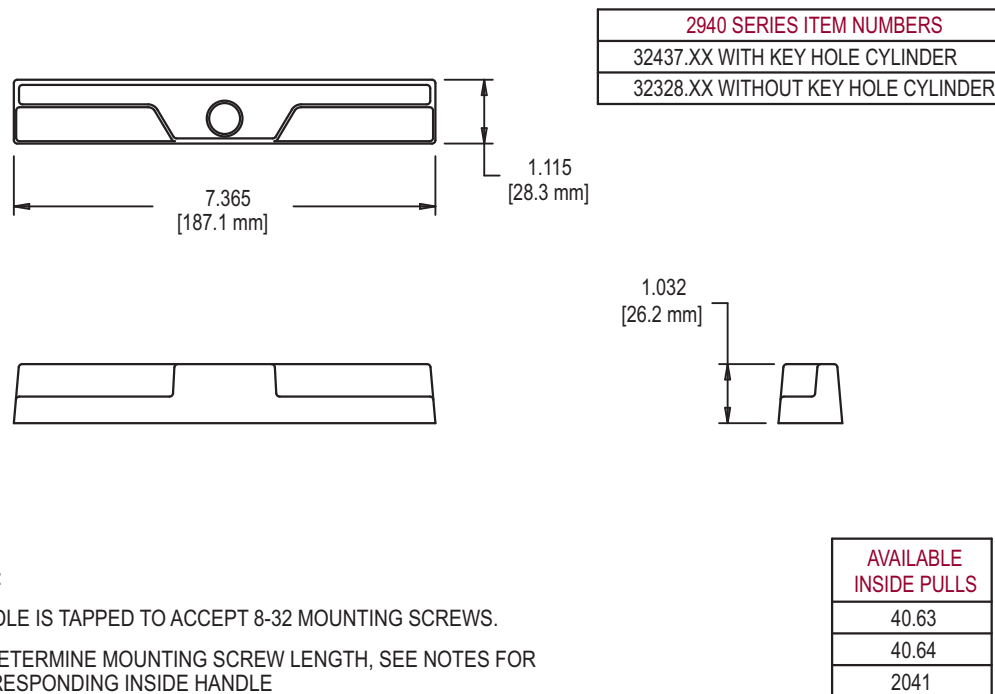
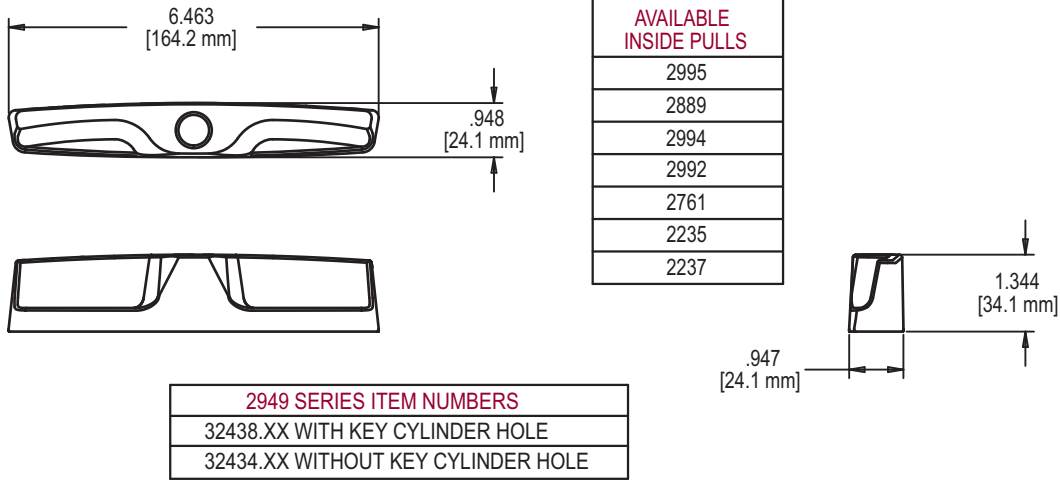


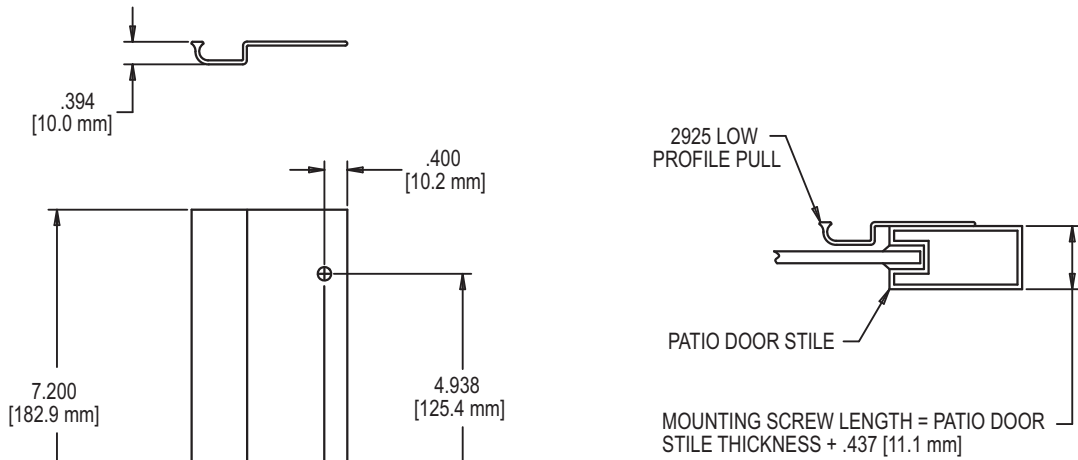
FIG. 3 2949 SERIES OUTSIDE PULL



NOTES:

1. HANDLE IS TAPPED TO ACCEPT 8-32 MOUNTING SCREWS.
2. TO DETERMINE MOUNTING SCREW LENGTH, SEE NOTES FOR CORRESPONDING INSIDE HANDLE

FIG. 4 2925 SERIES LOW PROFILE PULL



NOTE:

1. MUST BE ORDERED WITH 2367-1000 BINDER POST - (2 PER HANDLE)
2. TO DETERMINE MOUNTING SCREW LENGTH SEE NOTES FOR CORRESPONDING INSIDE HANDLE

AVAILABLE INTERIOR HANDLES
40.63
40.64
2041

FIG. 5 LOCK CYLINDER

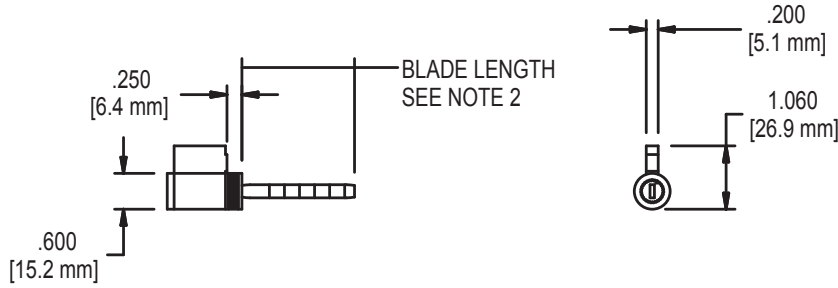


TABLE TO DETERMINE LOCK CYLINDER BLADE LENGTH

		OUTSIDE PULL		
		2939 SERIES	2949 SERIES	2940 SERIES
INSIDE HANDLE SERIES NO.	2995	1/2 DOOR THKNS-.27	1/2 DOOR THKNS	N/A
	2889	1/2 DOOR THKNS-.27	1/2 DOOR THKNS	N/A
	2994	1/2 DOOR THKNS-.27	1/2 DOOR THKNS	N/A
	2992	1/2 DOOR THKNS-.27	1/2 DOOR THKNS	N/A
	2761	1/2 DOOR THKNS-.27	1/2 DOOR THKNS	N/A
	2235	1/2 DOOR THKNS-.27	1/2 DOOR THKNS	N/A
	2237	1/2 DOOR THKNS-.27	1/2 DOOR THKNS	N/A
	2750	1/2 DOOR THKNS-.27	1/2 DOOR THKNS	N/A
	40.62	1/2 DOOR THKNS-.27	1/2 DOOR THKNS	N/A
	2041	N/A	N/A	DOOR THKNS +.35
	40.63	N/A	N/A	1/2 DOOR THKNS +.187
	40.64	N/A	N/A	1/2 DOOR THKNS +.187

THKNS= THICKNESS

NOTE:

1. ALL LOCK CYLINDERS USE THE WEISER KEYWAY
2. STOCK BLADE LENGTHS ARE: .530", .660", .750", .810", 1.200", 1.300"