

Multi-locking points are becoming the norm for patio doors. Savvy homeowners are now demanding the added security and increased performance that multi-point locking provides. Truth's new two-point mortise lock is ideally suited for any Truth mortise type handle. We've added several versions of this lock, so there is sure to be one that fits your needs. An added feature of Truth's new two-point lock is an "anti-slam" feature which assures that the lock hooks can't be damaged by accidentally closing the door with them extended.

- Two opposing locking hooks extended into a keeper mounted on the frame make it virtually impossible for the door to be lifted out of the track.
- Mortise lock meets AAMA standards for sliding patio doors.
- Lock has an "anti-slam" feature which assures that door is shut before the lock can be actuated. This prevents potential damage to the locking bolts by not allowing the bolts to be extended unless the door is closed against the frame. Anti-slam feature is achieved with a button that must be depressed against the frame for the lock to be actuated.
- Adjustability in the amount of hook extension is achieved by simply adjusting a set screw in the matching keeper.
- Mortise lock is available in three different face plate configurations to fit most wood, vinyl and aluminum patio door designs.

#### MATERIAL & FINISHES:

Keepers and face plates are made of plated steel with yellow dichromate unless otherwise noted. Pocket adaptor is made from plated zinc with yellow dichromate. The mortise lock features a heat treated steel bolt for maximum strength. A corrosion resistant version featuring a stainless steel case is also available – see tables within drawings for specific item numbers.

#### WARRANTY:

Protected under the terms of the Truth Warranty for Window and Door Manufacturers and Authorized Distributors. Refer to Truth's Terms & Conditions for further details.

#### ORDERING INFORMATION:

Because of the variety of sliding patio door designs on the market, Truth Hardware suggests that you contact one of Truth's Technical Managers to help you identify the components that will best meet your requirements. These components can include offset locks and recessed adapters.

To assist us in helping you identify the product that you need, please be prepared to provide Truth with the type and style of profile that you are mounting the hardware to.

#32608 – Standard two-point mortise lock with center drive

#32609 – Standard two-point mortise lock with offset drive

#32610 – Lock with long faceplate center drive

#32611 – Lock with long faceplate offset drive

#32612 – Lock with recessed adapter center drive

#32613 – Lock with recessed adapter offset drive

#32614 – Keeper

*Stainless steel options are also available – please refer to drawings for specific item numbers*

#### TRUTH TIPS:

1. A Truth Hardware Secondary Patio Door Lock or Limiter can be added for applications requiring additional security
2. Bumper guards (Truth item number 22082.XX), to keep door sash from contacting the opposite jamb during its travel are highly recommended (see Handle set accessories section).
3. If hardware shown cannot be fitted to the door because of door/hardware interference, contact Truth for other available options



#32608 Shown

4. Installation of longer screws into the keeper rail will increase security. Screws long enough to reach the rough opening frame are recommended.

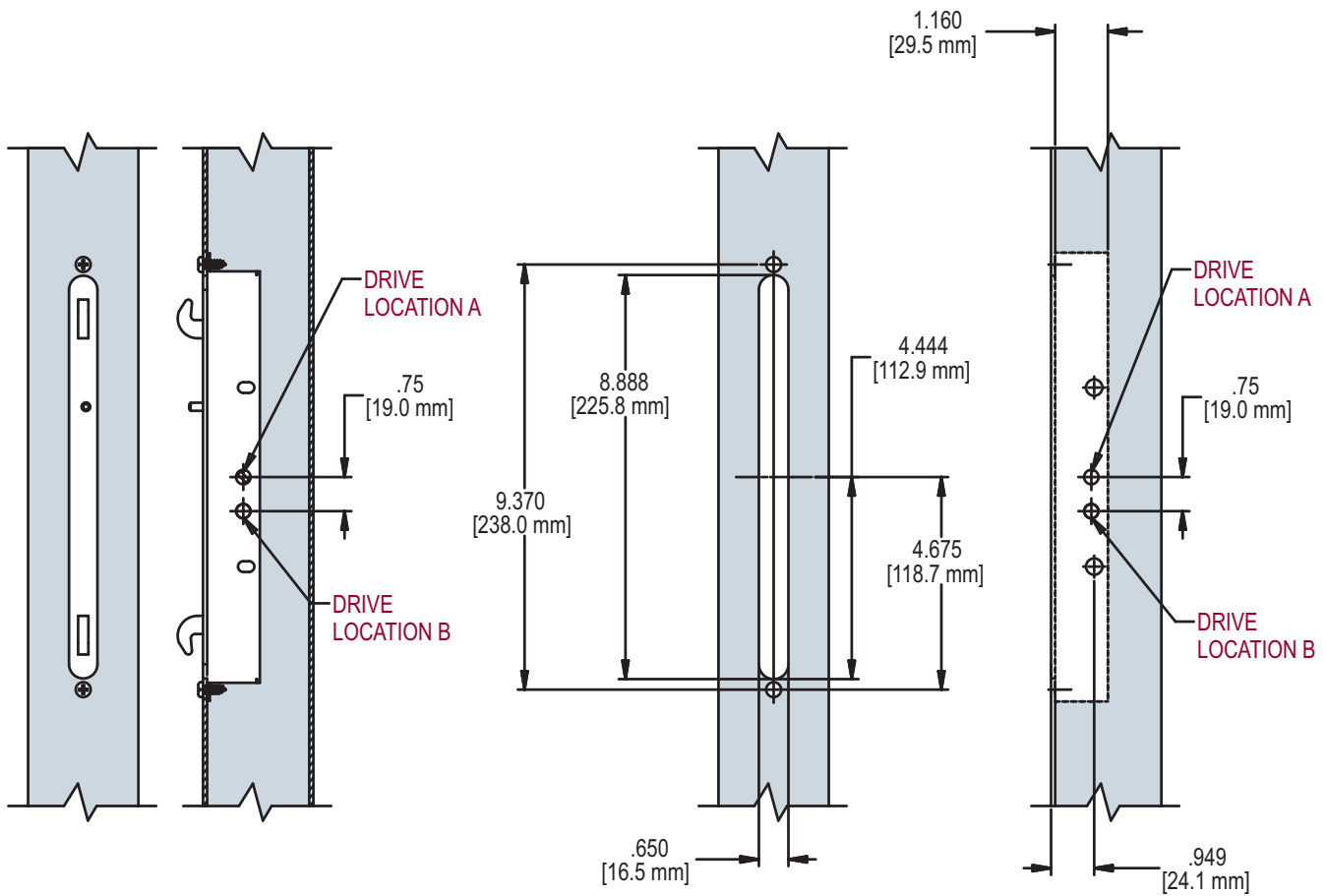
5. For easy correction of out of square or racked door installations, the use of Jamb Jack (frame adjusters) are recommended. Frame adjustment can improve both weather seal tightness and door operation over the life of the door.

6. For vinyl applications, mounting screws should pass through two PVC walls or one PVC wall and one insert wall. For this reason, it may be necessary to use a longer screw than is recommended.

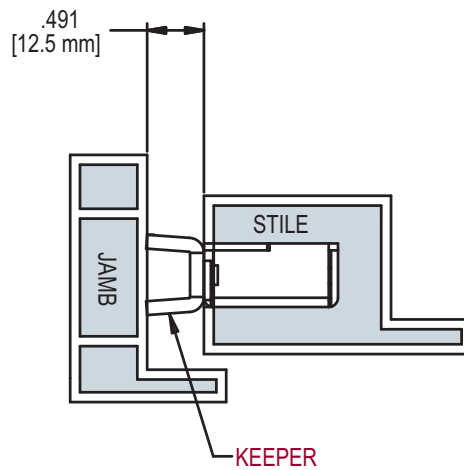
7. A 1/8" Allen Wrench is required for adjustments. Not supplied by Truth Hardware.

# TWO-POINT MORTISE LOCK

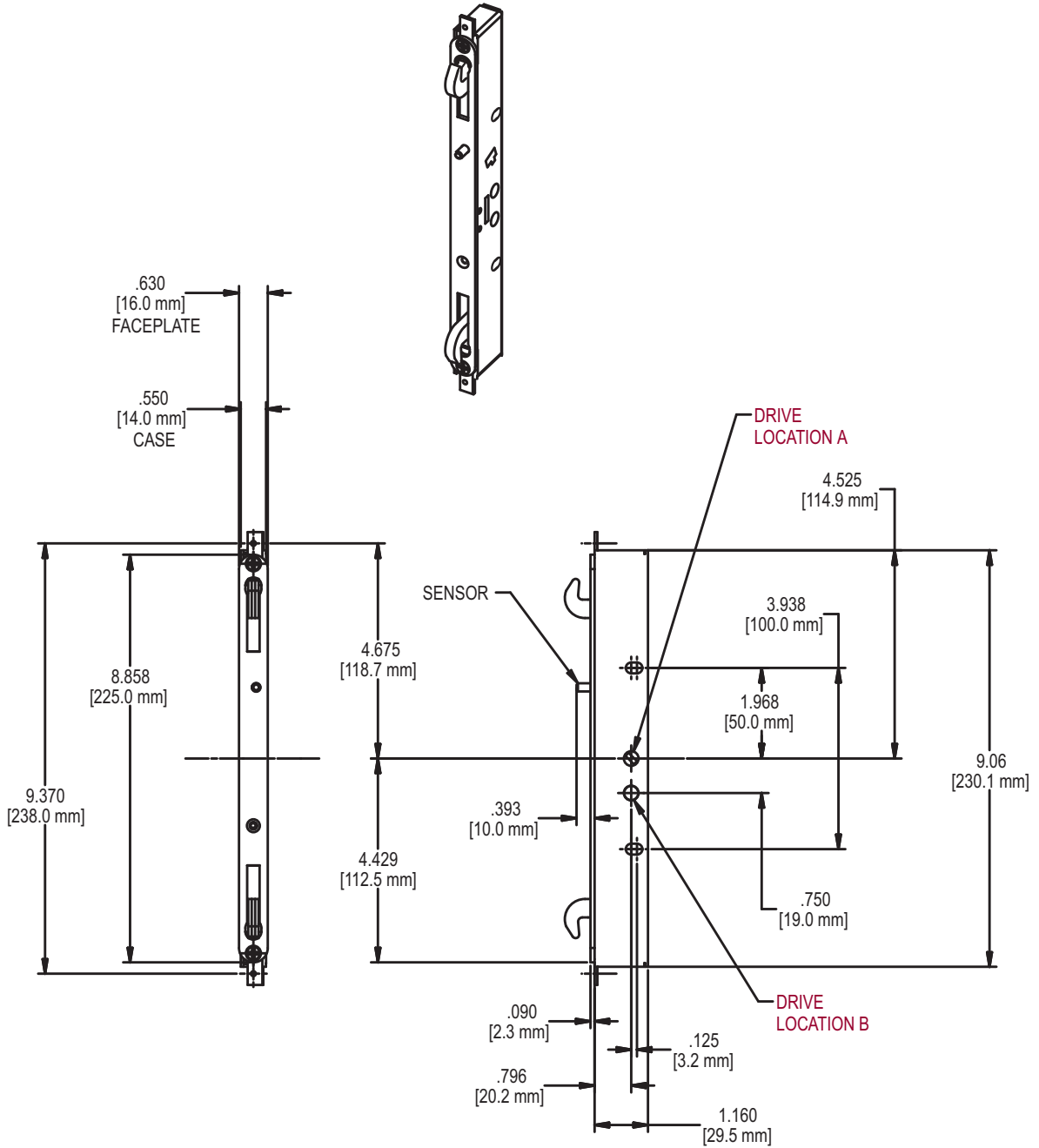
FIG. 1 TWO POINT MORTISE LOCK SHORT FACEPLATE APPLICATION



CUT-OUT REQUIRED



**FIG. 2 32608 & 32609 TWO POINT MORTISE LOCK, SHORT FACEPLATE**



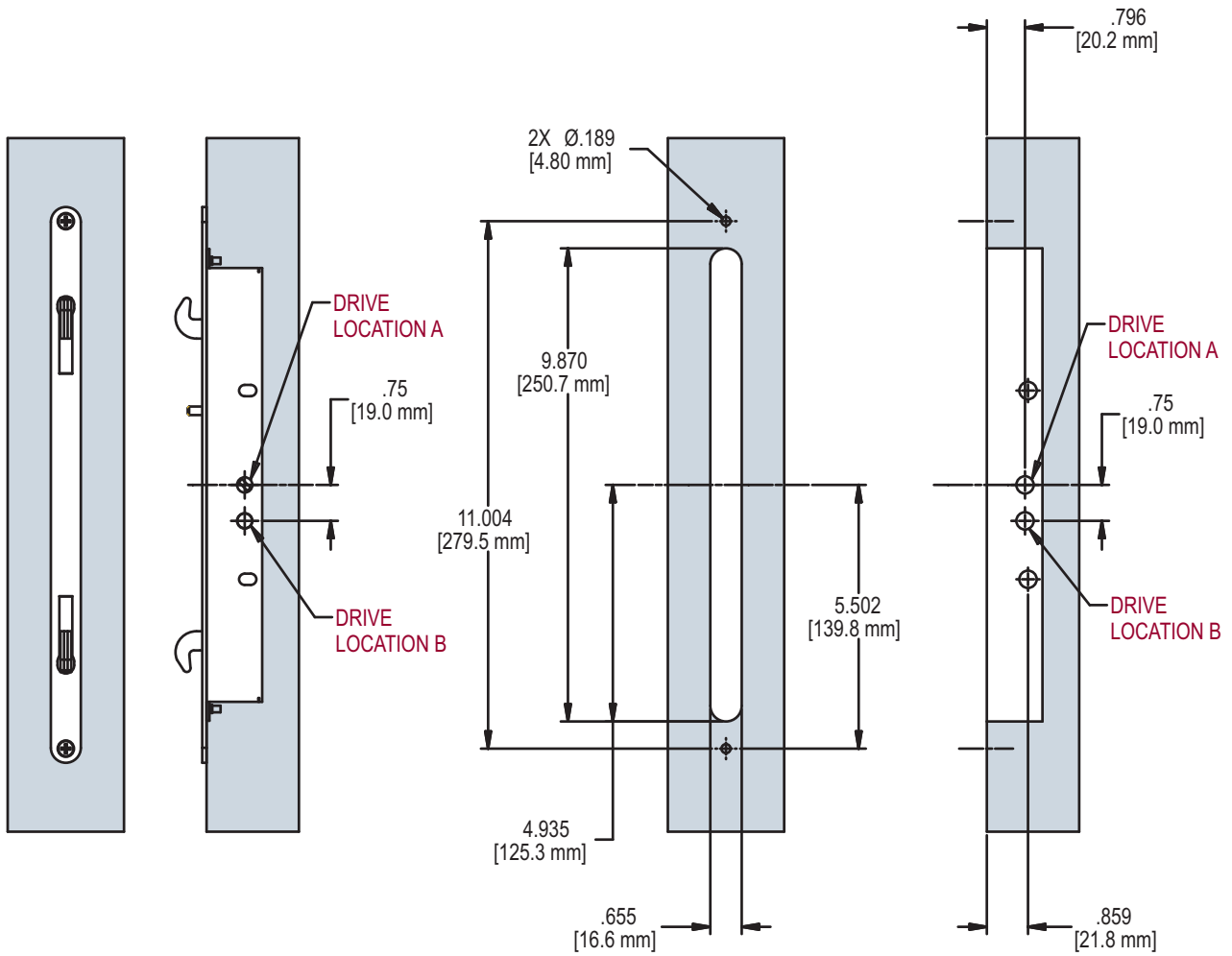
**RECOMMENDED SCREWS:**

(QTY 2) #6-32 PHILLIPS TRUSS HEAD SCREWS  
(LENGTH AND THREAD TYPE TO BE  
DETERMINED BY PROFILE)

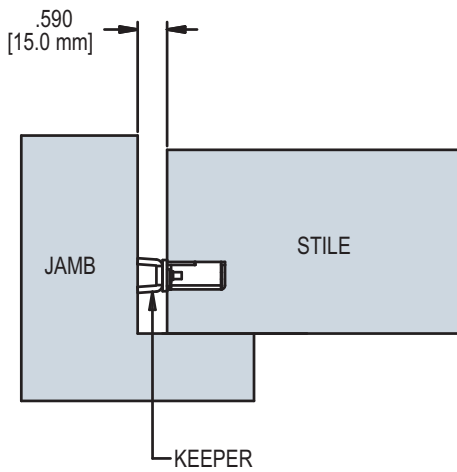
	STEEL P/N	SST P/N
DRIVE A	32608	32608.00.0500
DRIVE B	32609	32609.00.0500

# TWO-POINT MORTISE LOCK

FIG. 3 TWO POINT MORTISE LOCK LONG FACEPLATE APPLICATION

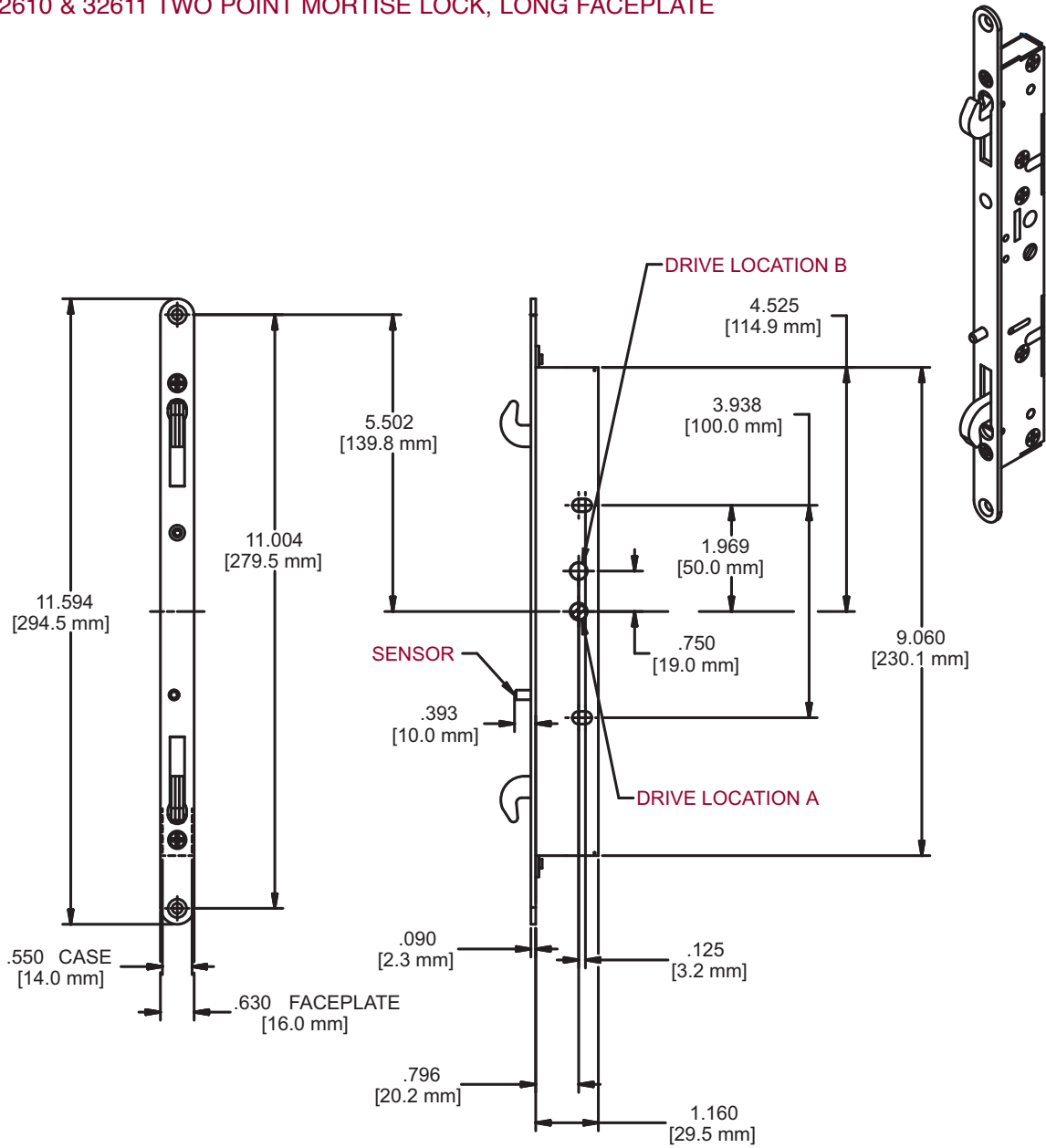


CUT-OUT REQUIRED



# TWO-POINT MORTISE LOCK

FIG. 4 32610 & 32611 TWO POINT MORTISE LOCK, LONG FACEPLATE



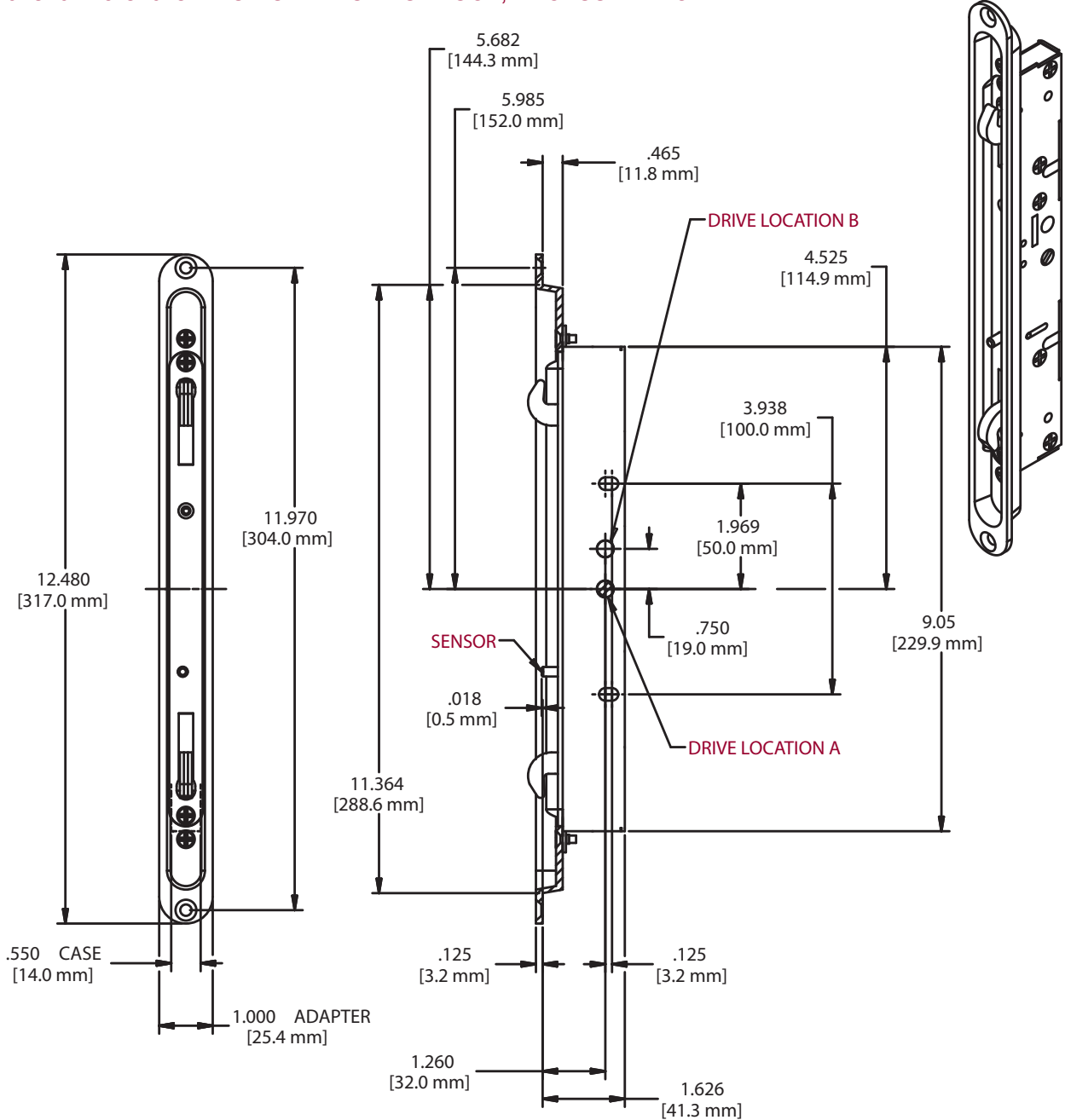
**RECOMMENDED SCREWS:**

(QTY 2) #8 PHILLIPS FLAT HEAD SCREWS (THREAD TYPE AND LENGTH TO BE DETERMINED BY PROFILE)

	STEEL P/N	SST P/N
DRIVE A	32610	32610.00.0500
DRIVE B	32611	32611.00.0500



FIG. 6 32612 & 32613 TWO POINT MORTISE LOCK, RECESSED FACEPLATE



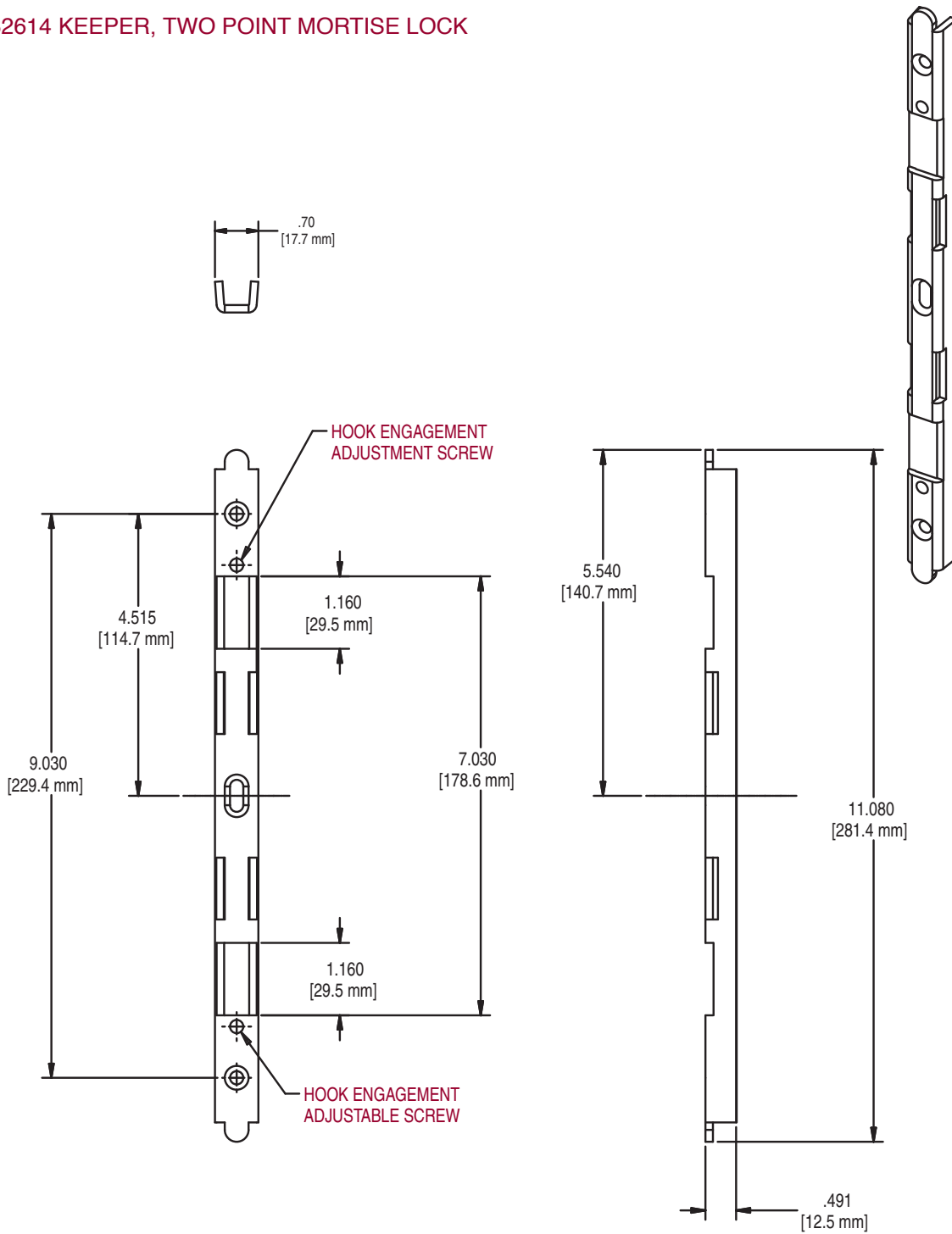
**RECOMMENDED SCREWS:**

(QTY 2) #10 PHILLIPS FLAT HEAD SCREWS (THREAD TYPE AND LENGTH TO BE DETERMINED BY PROFILE)

	STEEL P/N	SST P/N
DRIVE A	32612	32612.00.0500
DRIVE B	32613	32613.00.0500

# TWO-POINT MORTISE LOCK

FIG. 7 32614 KEEPER, TWO POINT MORTISE LOCK



**RECOMMENDED SCREWS:**

(QTY 3)#10 PHILLIPS, FLAT HEAD SCREWS  
(THREAD TYPE AND LENGTH TO BE  
DETERMINED BY PROFILE)

STEEL	32614
STAINLESS STEEL	32614.00.0500