



Truth Hardware presents the new Sentry™ Multi-Point Hinged Patio Door System – a North American designed system where distinctive styling meets intuitive function. Truth’s innovative new hardware system is packed with features and now gives you the ability to offer a complete line of Truth Hardware for windows, sliding doors and now hinged patio doors.

INTUITIVE

- Designed specifically for the North American market with a 90 degree thumbturn located above the handle, this system provides instant confirmation of locked or unlocked status and allows for easier access to the key cylinder.

EYE-CATCHING

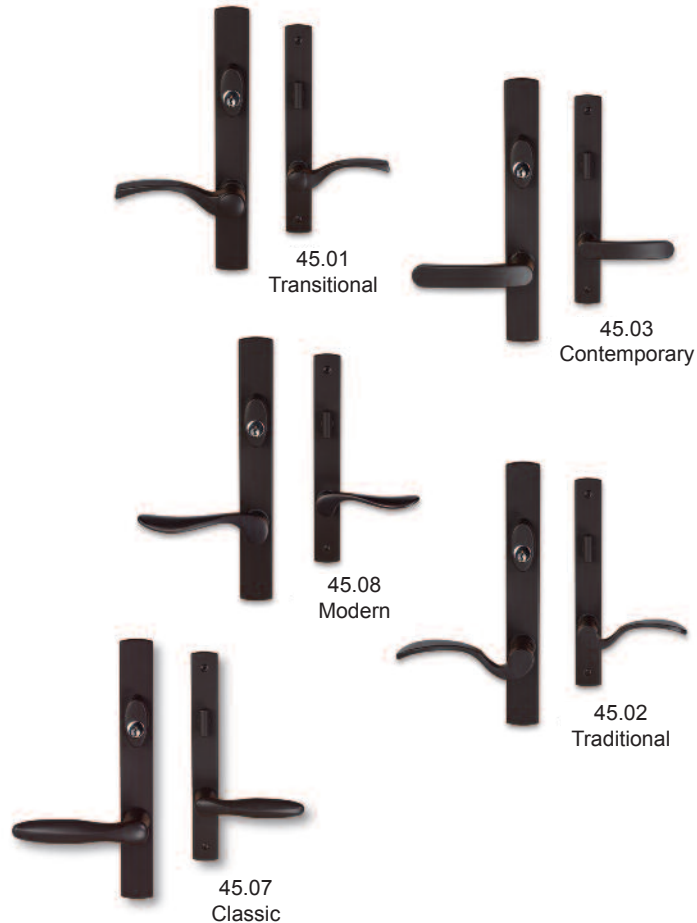
- From traditional to contemporary, Truth offers multiple handle designs to help customize your look.
- Available with painted finishes over zinc and decorative finishes over brass, including PVD, these handle sets are available in matching finishes to the rest of the Sentry series of hinged patio door hardware.

VERSATILE & ATTRACTIVE

- Available in active, semi-active and inactive configurations
- Truth’s 45.07 Series Handle complements the 40.98 sliding door handle design to produce a family look across product lines.
- With Truth’s entrance into the hinged door hardware market you are now able to offer matching finishes for all your window and patio door offerings.
- Truth also offers optional longer spindle and mounting screw kits for thicker doors.

ATTENTION TO DETAIL

- Industry standard 92 mm spacing between the handle and the thumbturn helps makes this system easy to install.
- Durable handle return spring prevents handle sash sag over time.



MATERIAL

Manufactured forged brass for plated and PVD finishes and cast zinc for painted finishes. Decorative finishes over brass include: Antique Brass, PVD Brass, PVD Brushed Chrome, PVD Chrome, PVD Bronze, and PVD Nickel. Painted options over zinc include; White, Beige, Faux Bronze and Black.

WARRANTY

Protected under the terms of the Truth Warranty for Window and Door Manufacturers and Authorized Distributors. Refer to Truth’s Terms and Conditions for further details.

ORDERING INFORMATION

To order the appropriate active, semi-active or inactive handles for your door refer to the following drawings. Should you require any additional application support – please contact Truth’s Application Specialists directly.

TRUTH TIPS

1. For easy correction of out of square or racked door installations, the use of Truth Jamb Jack frame

adjusters are recommended. Frame adjustment can improve weatherseal tightness and door operation over the life of the door.

2. Solid shims are recommended behind jamb at all strike plate locations.
3. See Tech Notes for information dealing with the care of plated decorative finishes.

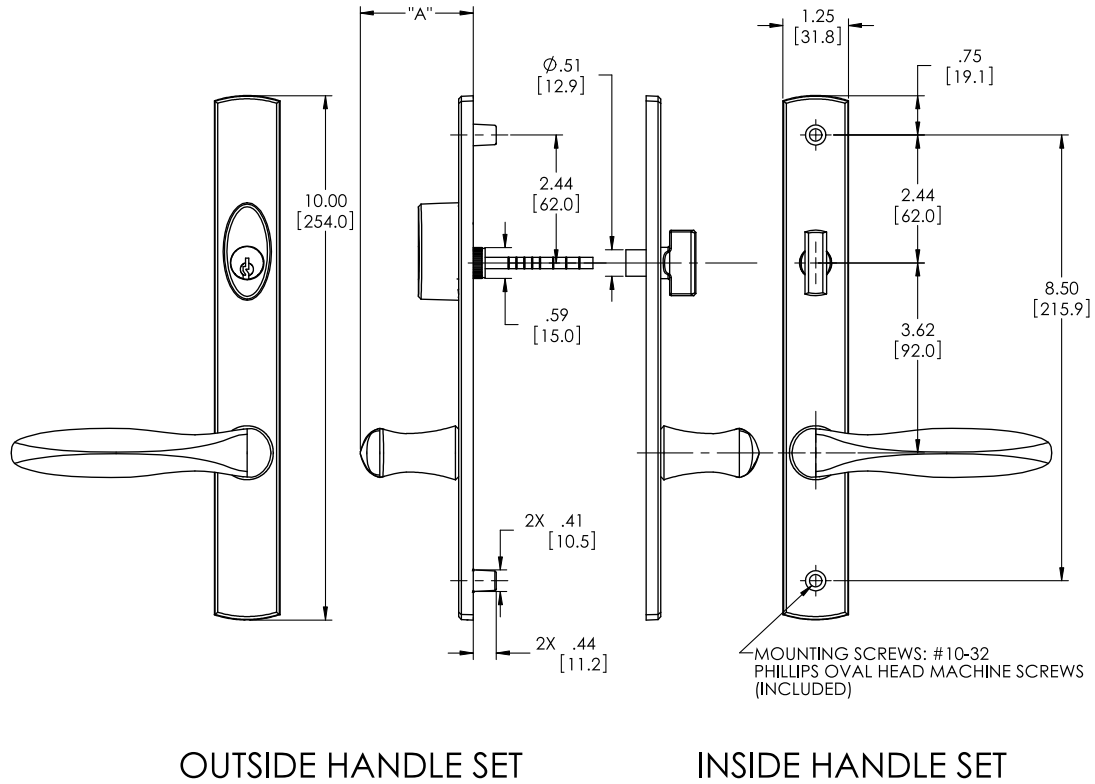
MULTI-POINT HARDWARE HANDLE SET SPECIFICATIONS

Multi-Point Hinged Patio Door Locking System for exterior or entrance doors, which provides high security and easy operation. Multi-Point Hinged Patio Door Handle Set shall have 90 degree thumbturn located above the handle and feature 92 mm spacing between the handle and the thumbturn.

Door hardware shall be Sentry™ Multi-Point Hinged Patio Door Hardware System manufactured by Truth Hardware.

SENTRY™ MULTI-POINT HINGED PATIO DOOR SYSTEM HANDLE SYSTEM

FIG. 1 SENTRY HINGED PATIO DOOR HANDLE SET, ACTIVE



45.07 HANDLE SHOWN

Part Number	A
45.01.XX.101	2.26 [57.4]
45.02.XX.101	2.45 [62.2]
45.03.XX.101	2.05 [52.1]
45.07.XX.101	2.16 [54.7]
45.08.XX.101	2.33 [59.2]

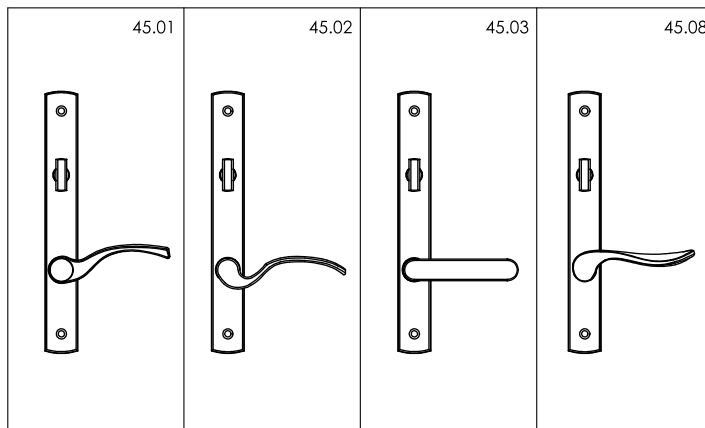


FIG. 2 SENTRY HINGED PATIO DOOR HANDLE SET, SEMI-ACTIVE

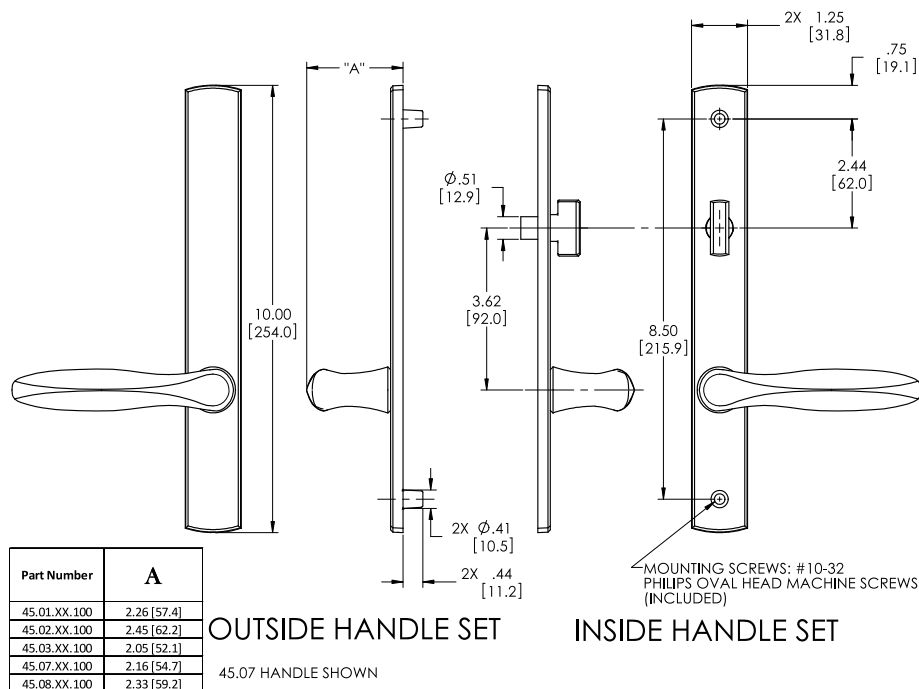
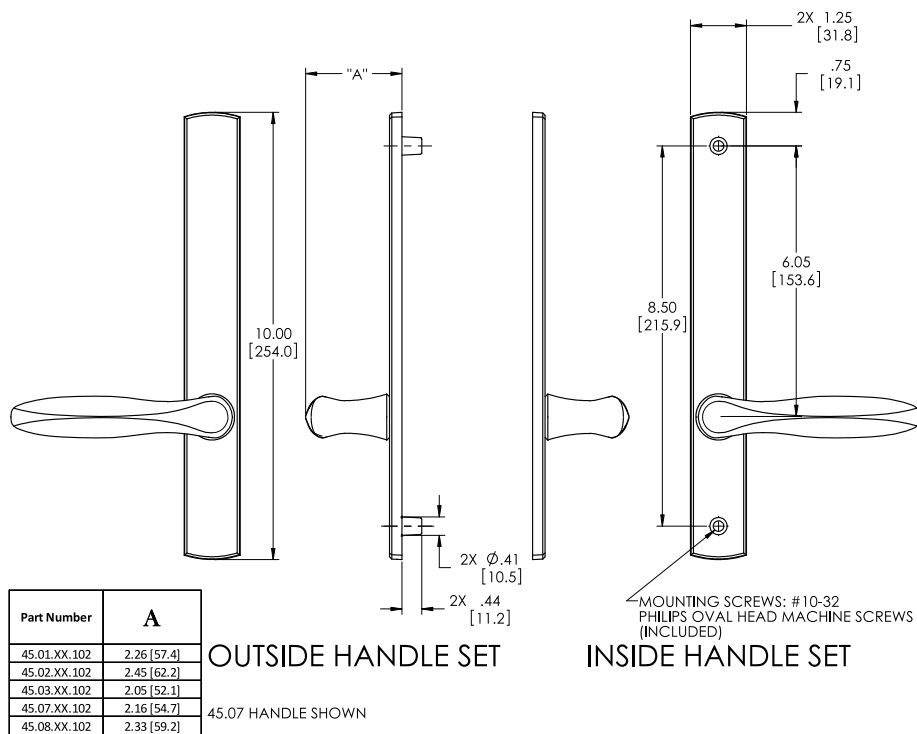


FIG. 3 SENTRY HINGED PATIO DOOR HANDLE SET, INACTIVE



SENTRY™ MULTI-POINT HINGED PATIO DOOR SYSTEM HANDLE SYSTEM

FIG. 4 SENTRY HINGED PATIO DOOR HANDLE SET, ACTIVE ASSEMBLY

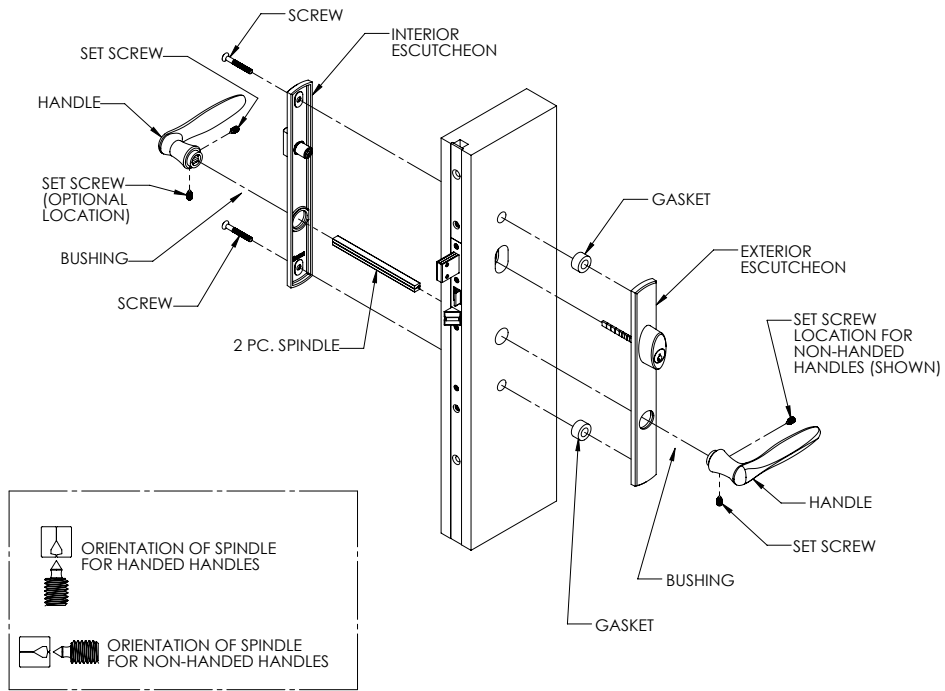


FIG. 5 SENTRY HINGED PATIO DOOR HANDLE SET, ACTIVE DOOR PREPARATION

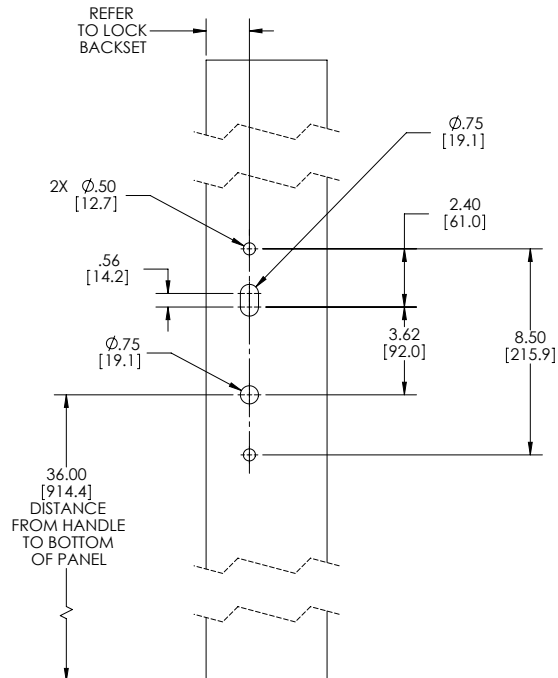


FIG. 6 SENTRY HINGED PATIO DOOR HANDLE SET, SEMI-ACTIVE ASSEMBLY

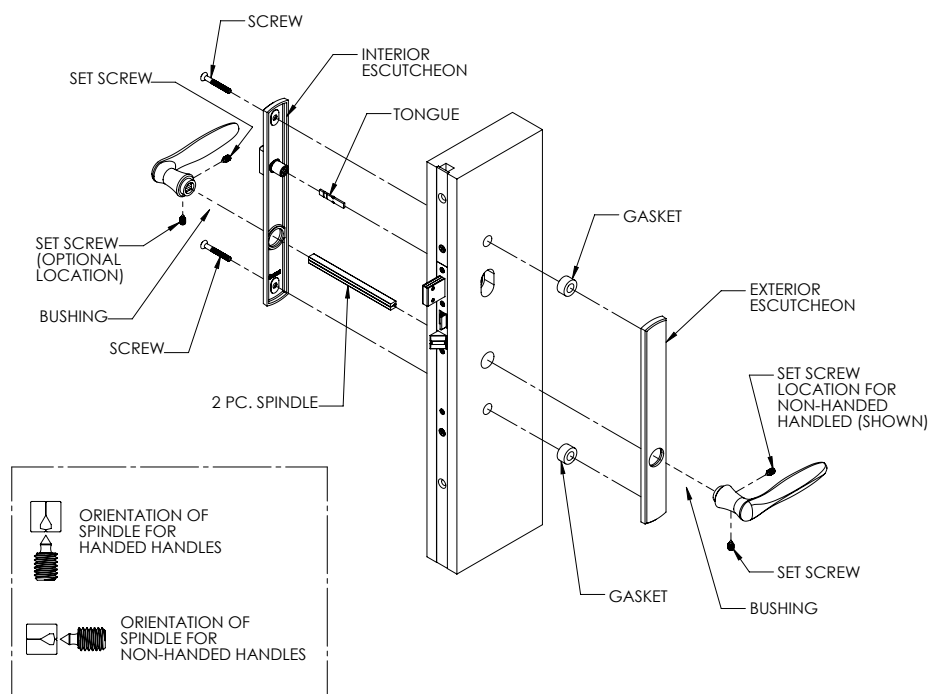
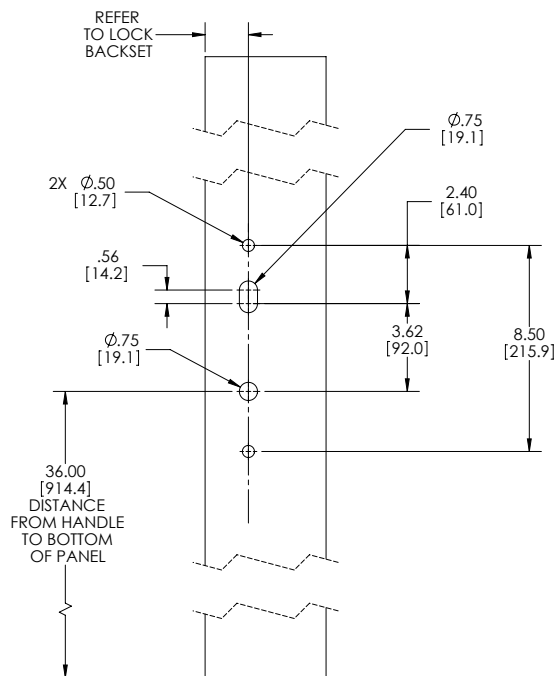


FIG. 7 SENTRY HINGED PATIO DOOR HANDLE SET, SEMI-ACTIVE DOOR PREPARATION



SENTRY™ MULTI-POINT HINGED PATIO DOOR SYSTEM HANDLE SYSTEM

FIG. 8 SENTRY HINGED PATIO DOOR HANDLE SET, PASSIVE ASSEMBLY

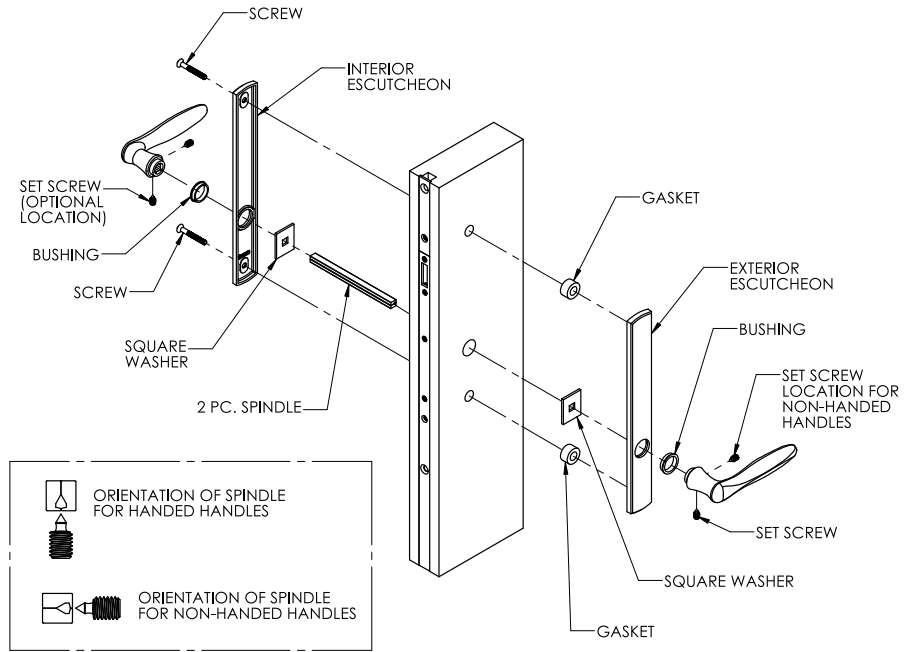


FIG. 9 SENTRY HINGED PATIO DOOR HANDLE SET, PASSIVE DOOR PREPARATION

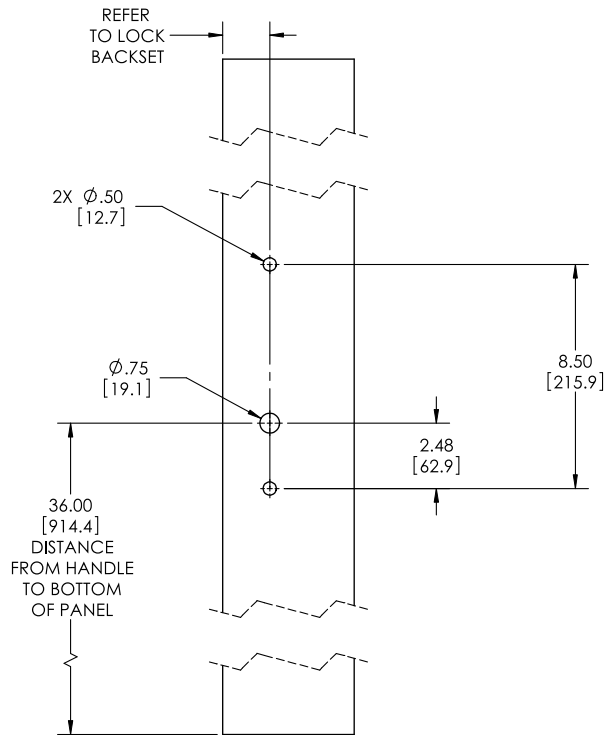
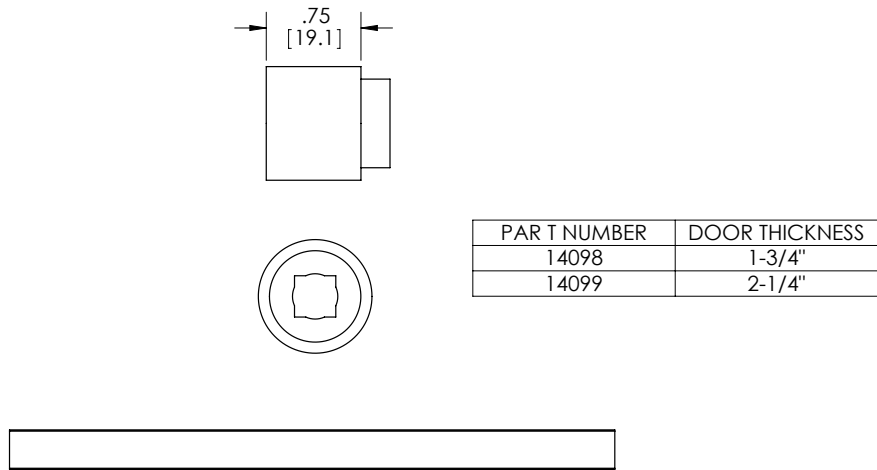
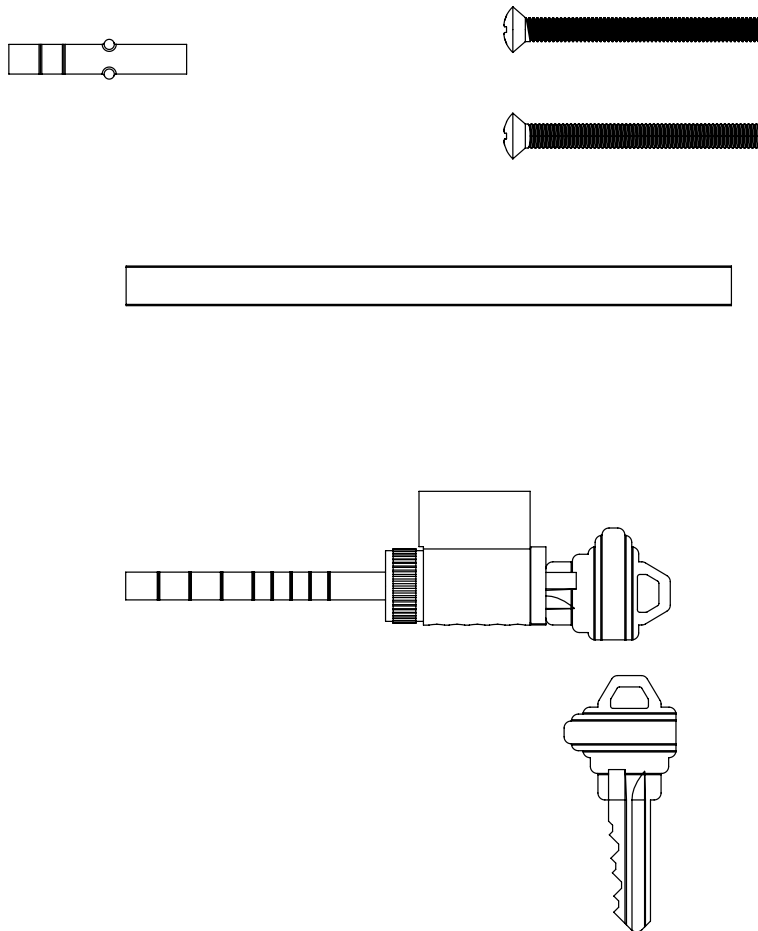


FIG. 10 SENTRY HINGED PATIO DOOR HANDLE EXTENSION KIT



**FIG. 11 SENTRY HINGED PATIO DOOR
14101 2 1/4" DOOR CONVERSION KIT**



**SENTRY™ MULTI-POINT
HINGED PATIO DOOR
SYSTEM HANDLE SYSTEM**