

The market driven solution for operable sidelites – Truth Hardware’s Sentry® Multi-Point Sidelite Hardware is the perfect complement to Truth’s family of Sentry Patio Door products.

FLEXIBLE

The Sentry Sidelite Multi-Point Locking System can be customized into 3 point tongue or hook versions. Featuring modular design, this system easily accommodates different door sizes.

RELIABLE

Positive detent prevents handle sag over time, while corrosion resistant 300 series SST faceplate ensures the good looks and performance of the product for years to come.

SMOOTH ERGONOMIC OPERATION

Truth’s operable sidelite hardware combines a convenient center latch with an ergonomic easy to operate handle. Operating the handle down by 90 degrees retracts all lock points while providing an easy to grip handle for opening and closing the panel. Releasing the handle allows for the center latch to reset providing automatic latching upon closure of the panel, this feature retains the panel against the weather strip to allow for easy engagement of the remote lock points.

VISUALLY INTUITIVE

The Sentry Sidelite System provides a visually intuitive indicator of the locked and unlocked status of the sidelite panel as shown below. When the handle is released after opening it will automatically return to the latched position. To engage the remote lock points, simply rotate the handle to the locked position.



INSTALLATION FRIENDLY

The center latch can be reversed with the hardware already installed in the sidelite. Truth’s Sentry Sidelite System is available with 16 and 20 mm faceplates to fit standard eurogrooves.

MATERIAL

300 series stainless steel.

WARRANTY

Protected under the terms of the Truth Warranty for Window and Door Manufacturers and Authorized Distributors. Refer to Truth’s Terms and Conditions for further details.

ORDERING INFORMATION

Because of the variety of operable sidelite panel designs on the market, Truth Hardware suggests that you contact Truth’s Application Specialist

Department to help you identify the components that will best meet your requirements. To assist us in helping you identify the product that you need, please be prepared to provide Truth with the type and style of profile that you are mounting your hardware to.

TRUTH TIPS

1. For easy correction of out of square or racked door installations, the use of Truth Jamb Jack frame adjusters are recommended. Frame adjustment can improve weatherseal tightness and door operation over the life of the door.
2. For vinyl applications, mounting screws should pass through two PVC walls or one PVC wall and one insert wall. For this reason, it may be necessary to use a longer screw than is recommended.
3. Solid shims are recommended behind jamb at all strike plate locations.
4. See Tech Notes for information dealing with care of plated decorative finishes.



Engaged Locking
Points



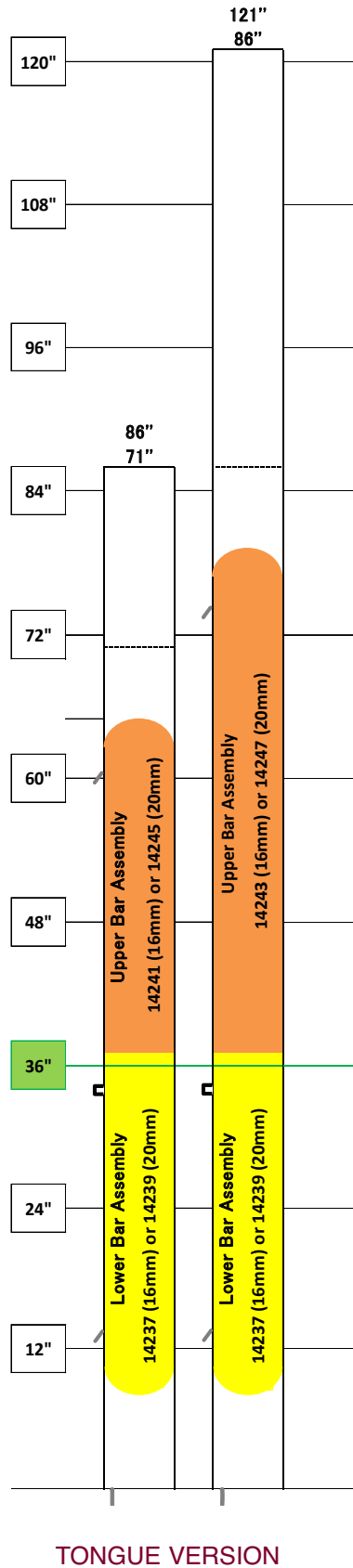
Unlatched and
Unlocked



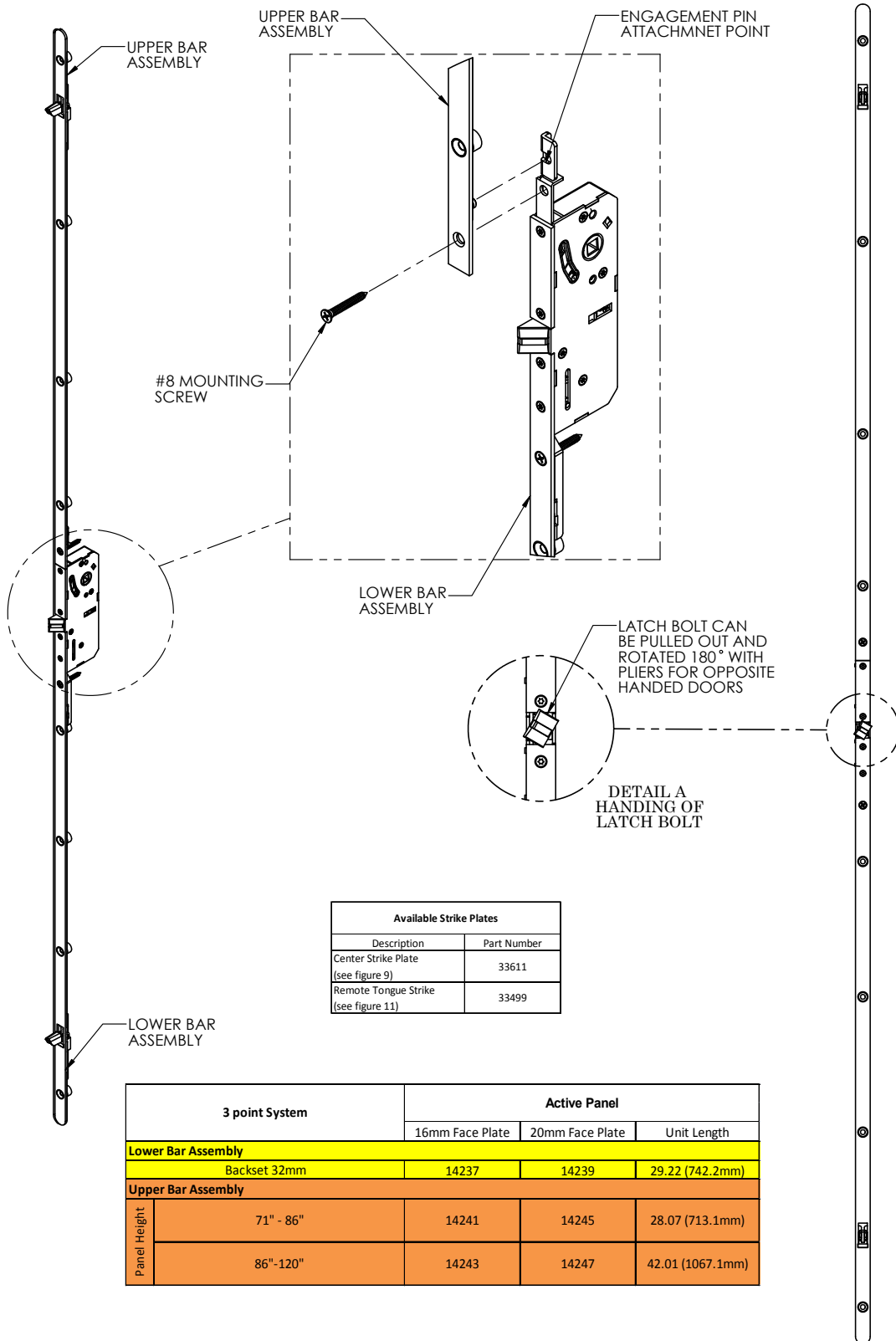
Latched and
Unlocked

SENTRY® MULTI-POINT LOCKING HARDWARE FOR SIDELITES

FIG. 1 SENTRY SIDELITE LOCKS
3 POINT TONGUE CONFIGURATION MATRIX

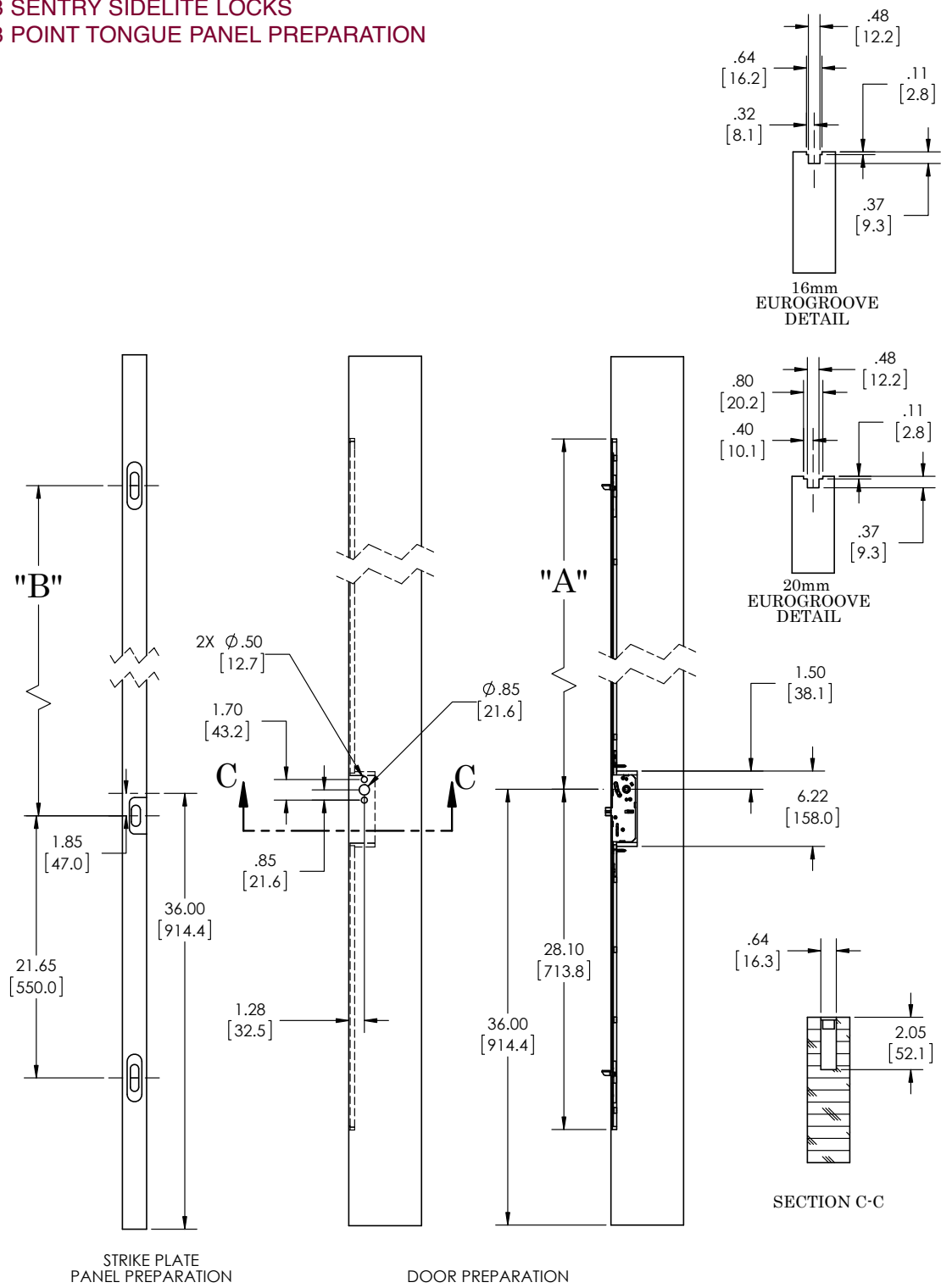


**FIG. 2 SENTRY SIDELITE LOCKS
3 POINT TONGUE ASSEMBLIES FOR PANESL 71 INCHES TO 121 INCHES**



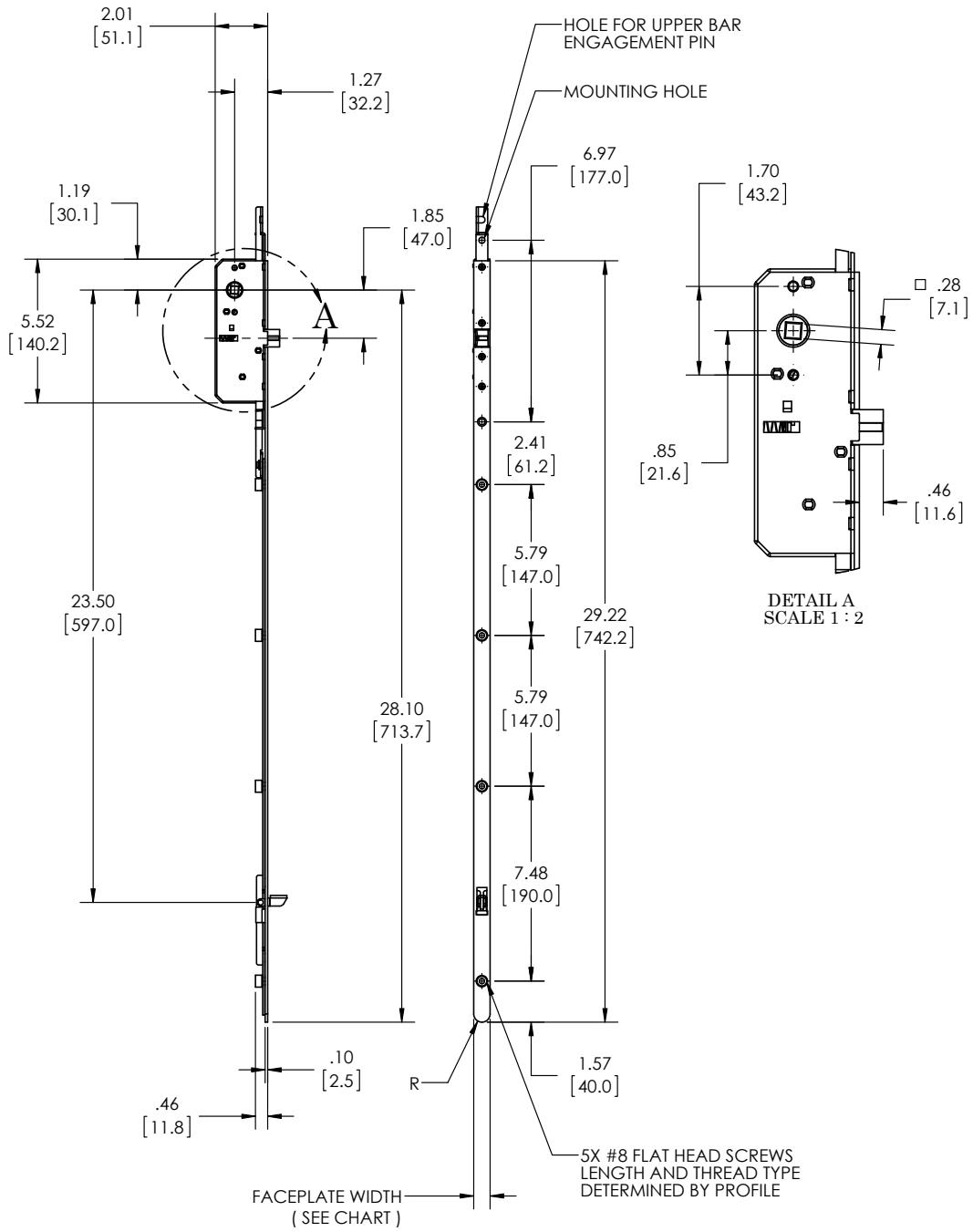
SENTRY® MULTI-POINT LOCKING HARDWARE FOR SIDELITES

FIG. 3 SENTRY SIDELITE LOCKS
3 POINT TONGUE PANEL PREPARATION



Panel Height	A	B
	Upper Tongue Rout	Upper Strike Location
71" - 86"	25.19 (639.7)	27.04 (686.7)
86" - 121"	39.12 (993.7)	40.97 (1040.7)

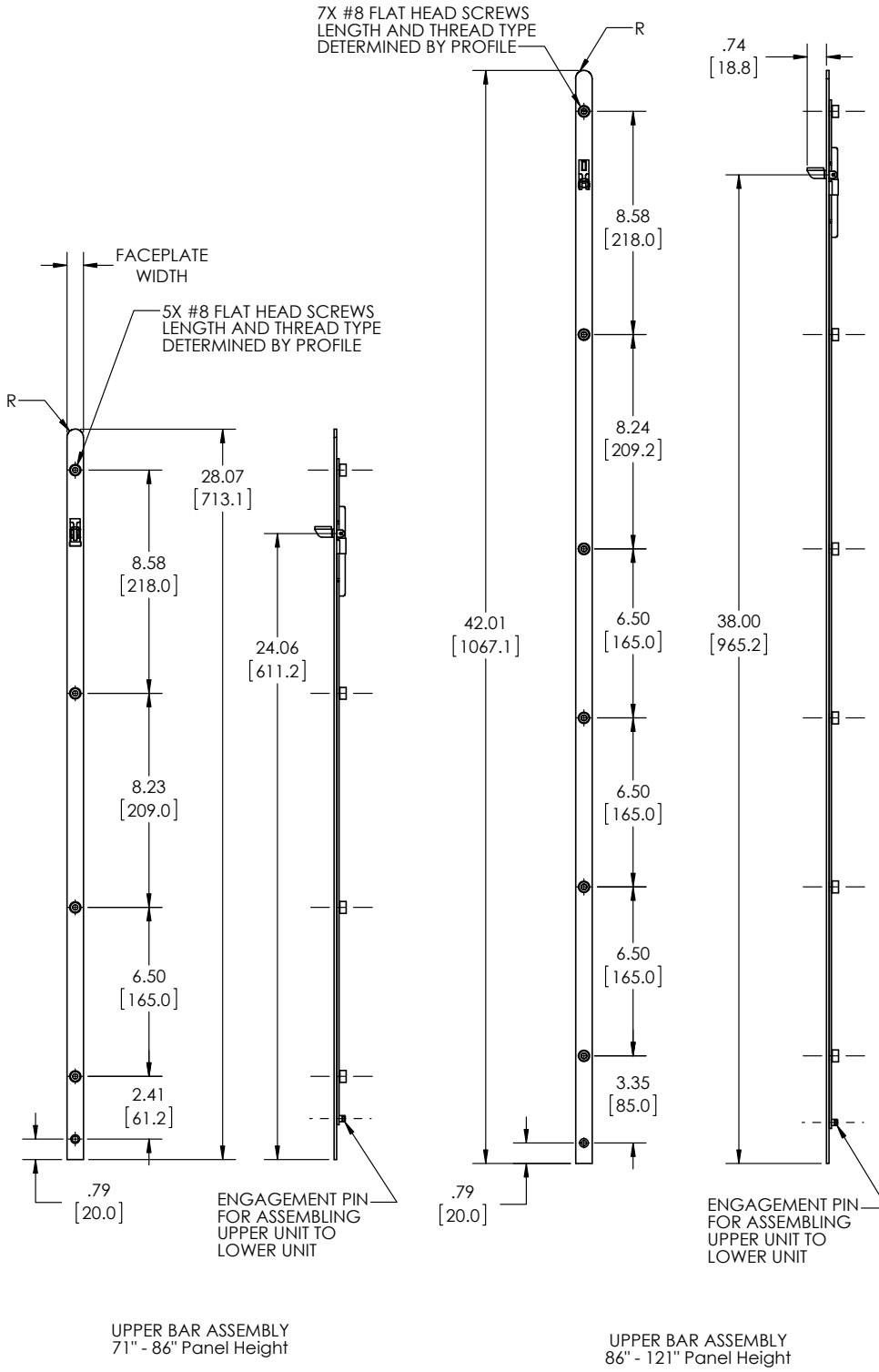
**FIG. 4 SENTRY SIDELITES LOCKS
3 POINT TONGUE LOWER BAR ASSEMBLY**



Tongue Lower Bar Assembly	
16mm Face Plate	20mm Face Plate
14237	14239

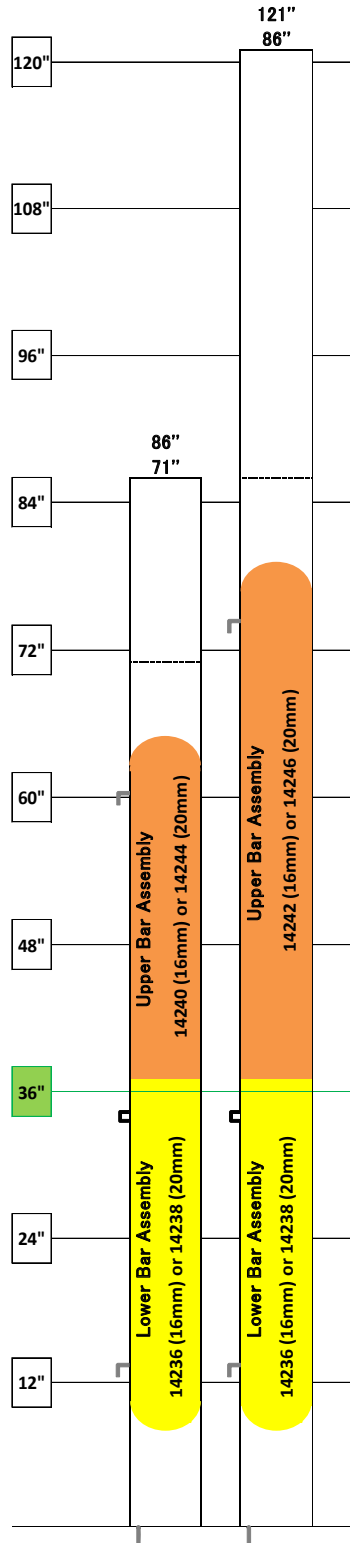
SENTRY® MULTI-POINT LOCKING HARDWARE FOR SIDELITES

FIG. 5 SENTRY SIDELITE LOCKS
3 POINT TONGUE UPPER BAR ASSEMBLY



Tongue Upper Bar Assembly		
Panel Height	16mm Face Plate	20mm Face Plate
71" - 86"	14241	14245
86" - 121"	14243	14247

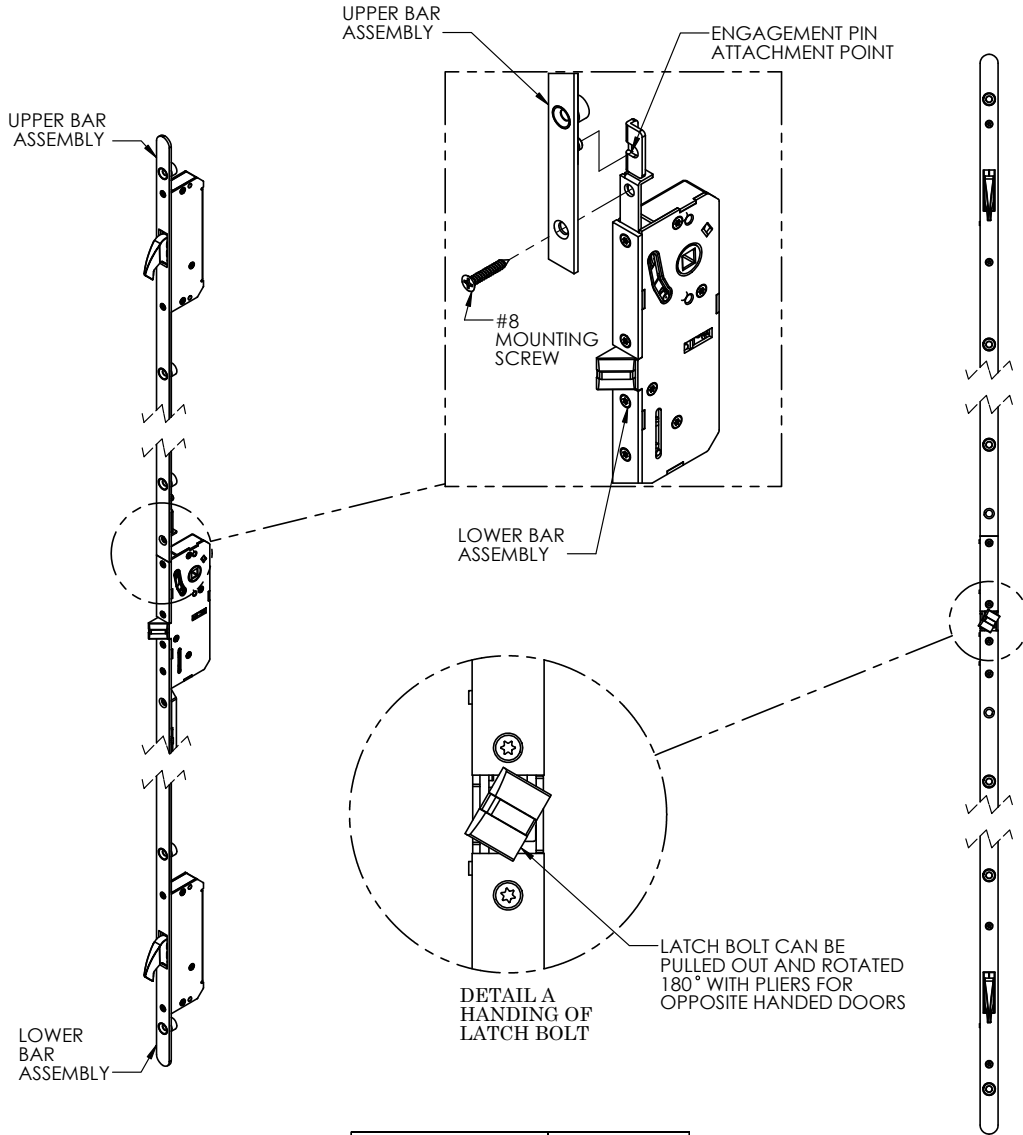
**FIG. 6 SENTRY SIDELITE LOCKS
3 POINT HOOK CONFIGURATION MATRIX**



HOOK VERSION

SENTRY® MULTI-POINT LOCKING HARDWARE FOR SIDELITES

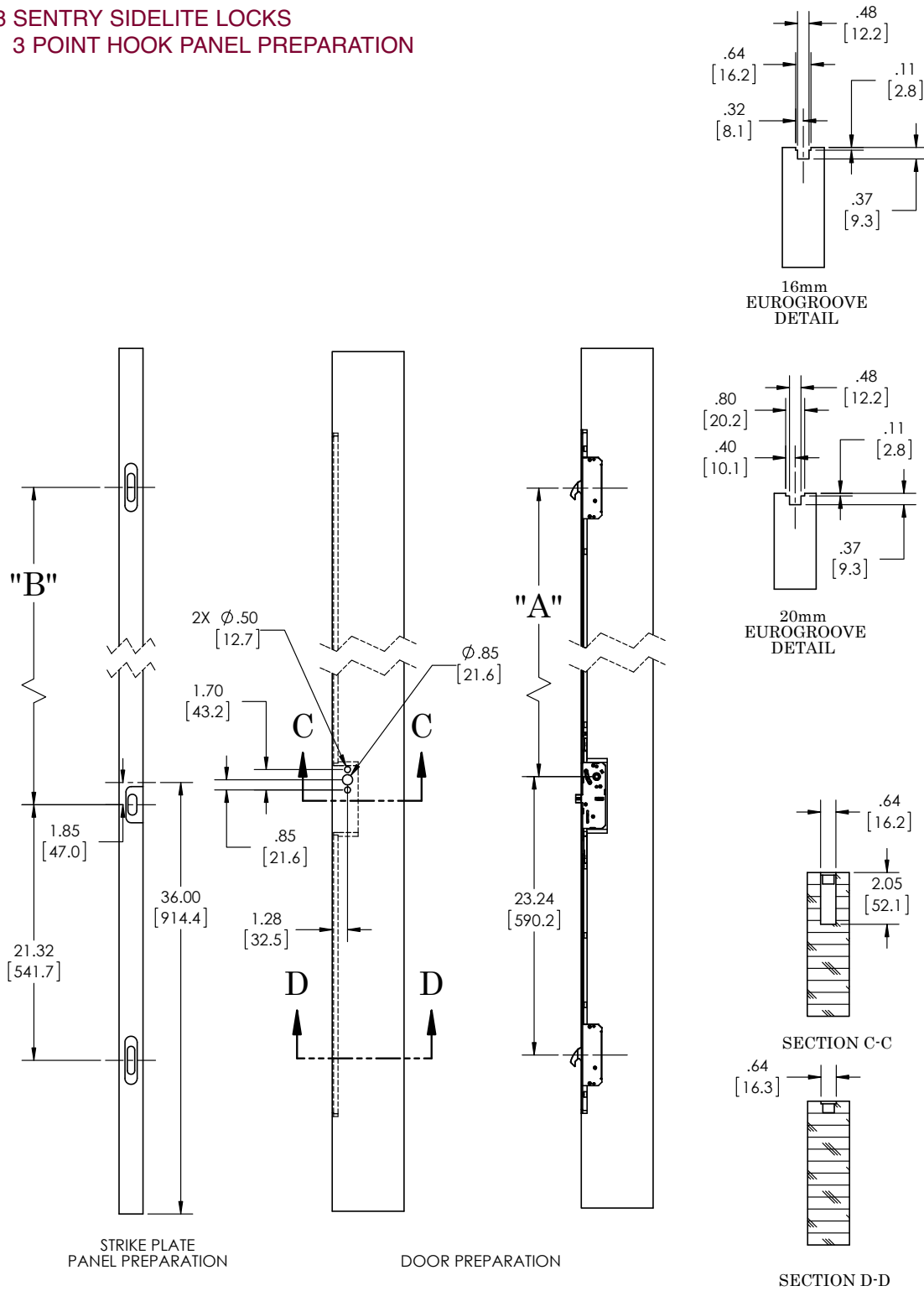
FIG. 7 SENTRY SIDELITE LOCKS
3 POINT HOOK ASSEMBLIES FOR PANELS 71 INCHES TO 121 INCHES



Description	Part Number
Center Strike Plate (see figure 9)	33611
Remote Hook Strike (see figure 13)	33505

3 point System		Active Panel		
		16mm Face Plate	20mm Face Plate	Unit Length
Lower Bar Assembly				
Backset 32mm		14236	14238	29.22 (742.2mm)
Upper Bar Assembly				
Panel Height	71"-86"	14240	14244	28.07 (713.1mm)
	86"-120"	14242	14246	42.01 (1067.1mm)

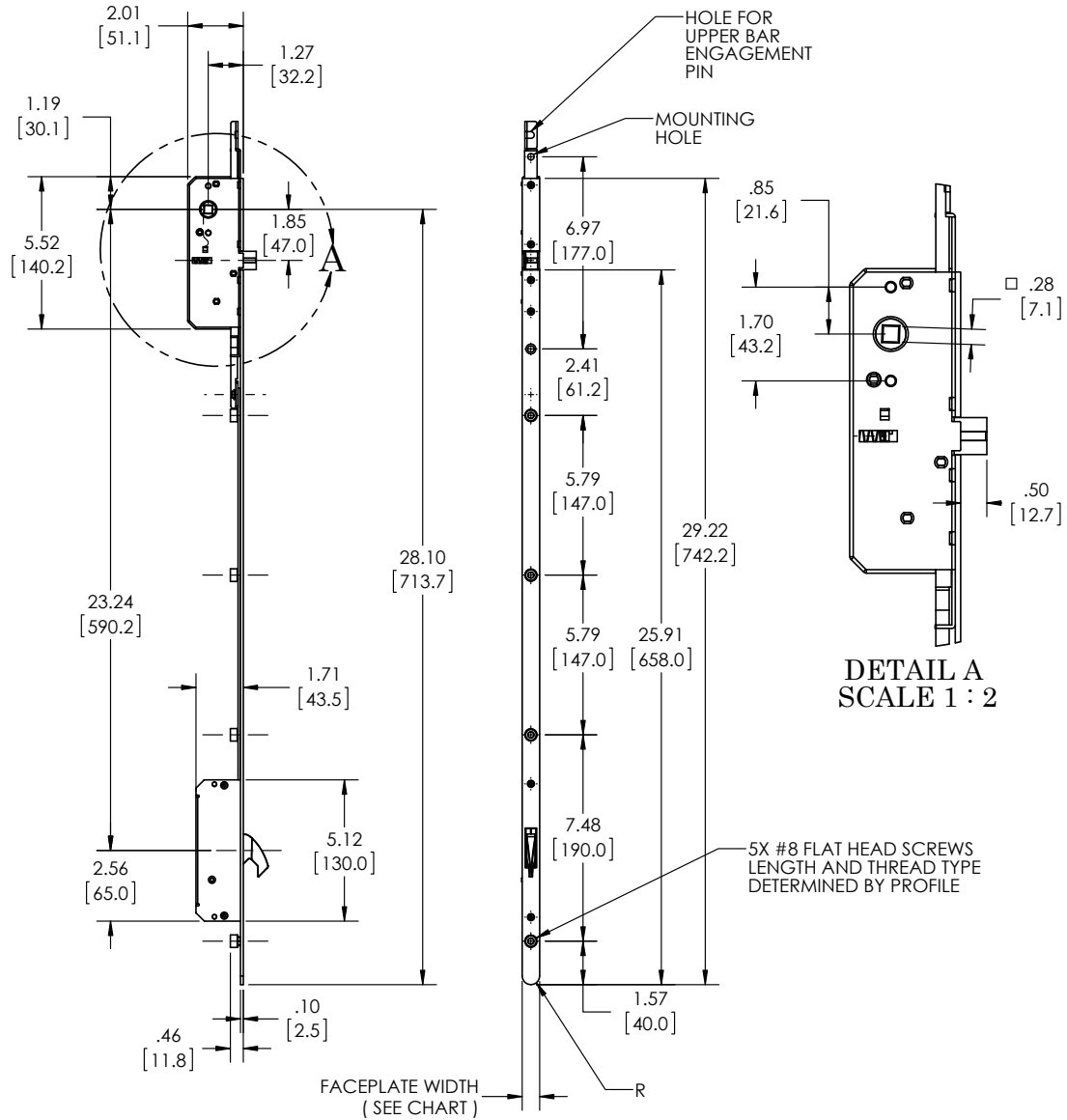
**FIG. 8 SENTRY SIDELITE LOCKS
3 POINT HOOK PANEL PREPARATION**



Panel Height	A	B
	Upper Hook Rout Location	Upper Strike Location
71" - 86"	24.34 (618.2)	26.25 (666.7)
86" - 121"	38.28 (972.2)	40.19 (1020.7)

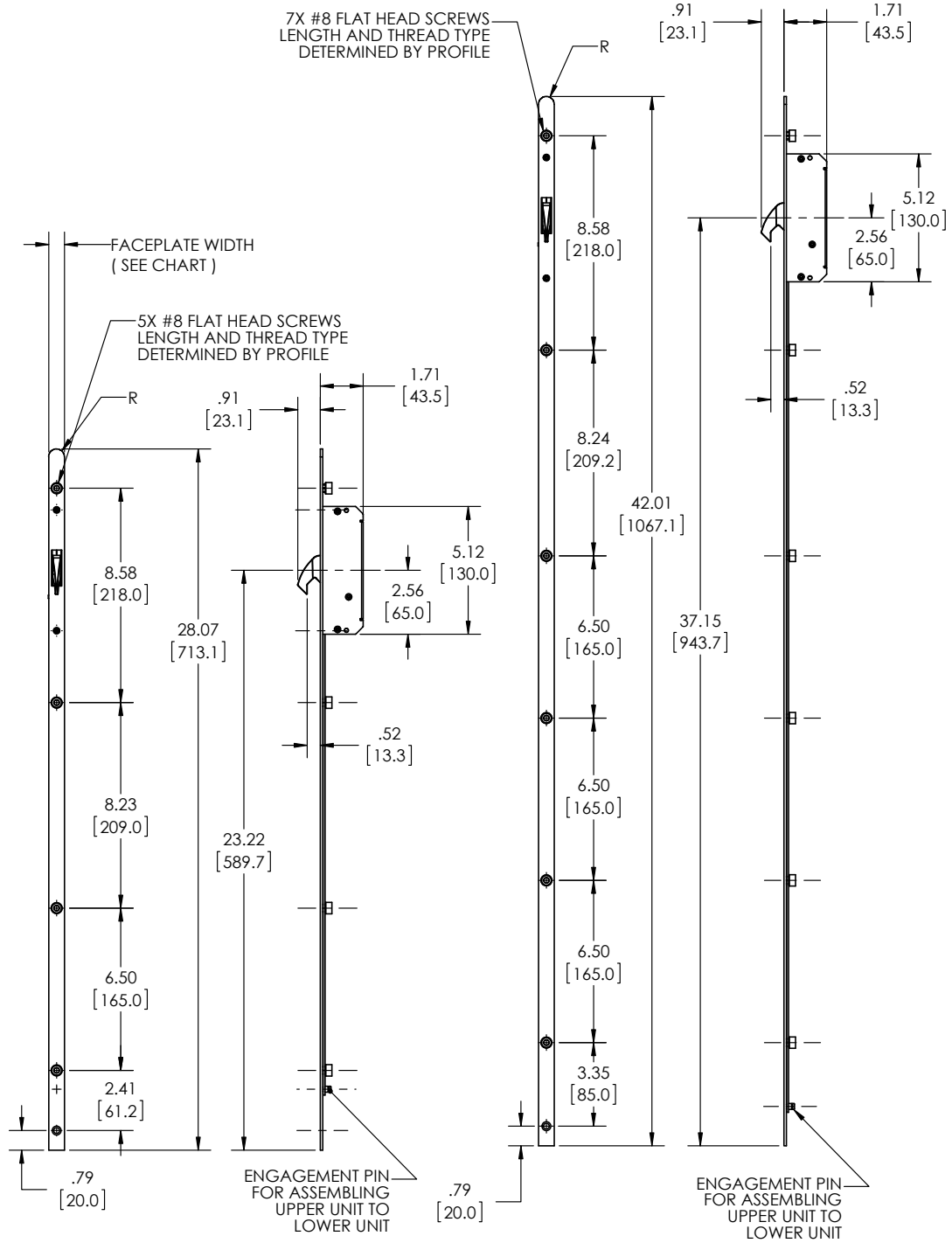
SENTRY® MULTI-POINT LOCKING HARDWARE FOR SIDELITES

FIG. 9 SENTRY SIDELITE LOCKS
3 POINT HOOK LOWER BAR ASSEMBLY



Hook Lower Bar Assembly	
16mm Face Plate	20mm Face Plate
14236	14238

**FIG. 10 SENTRY SIDELITE LOCKS
3 POINT HOOK UPPER BAR ASSEMBLY**



Hook Upper Bar Assembly		
Panel Height	16mm Face Plate	20mm Face Plate
71" - 86"	14240	14244
86" - 121"	14242	14246

SENTRY® MULTI-POINT LOCKING HARDWARE FOR SIDELITES

FIG. 11 SENTRY SIDELITE LOCKS
33611 CENTER STRIKE PLATE

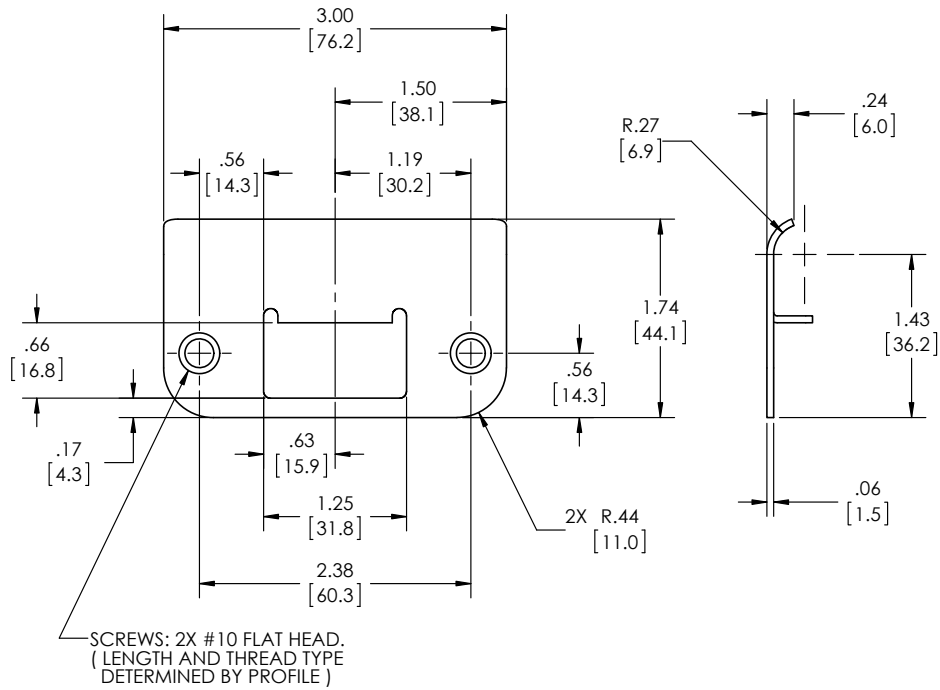
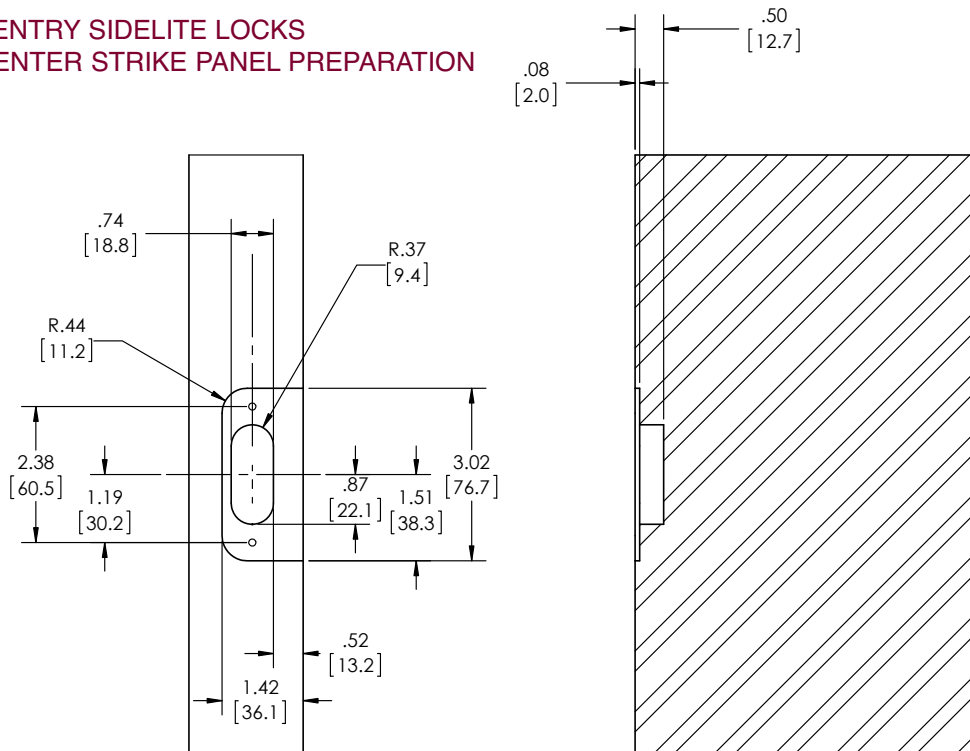
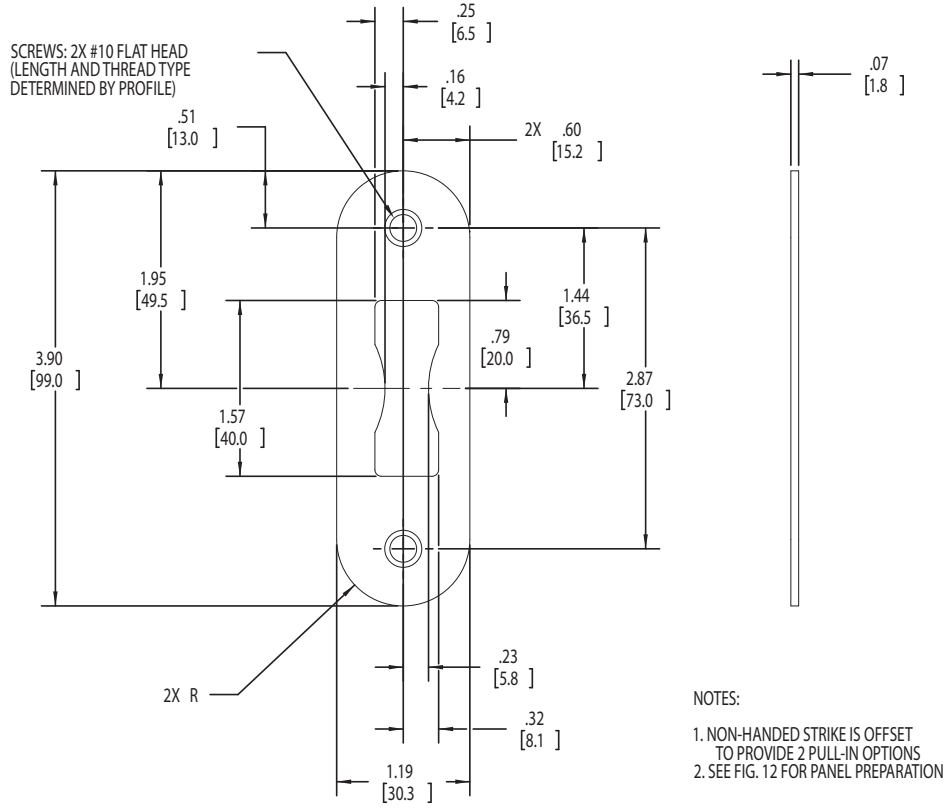


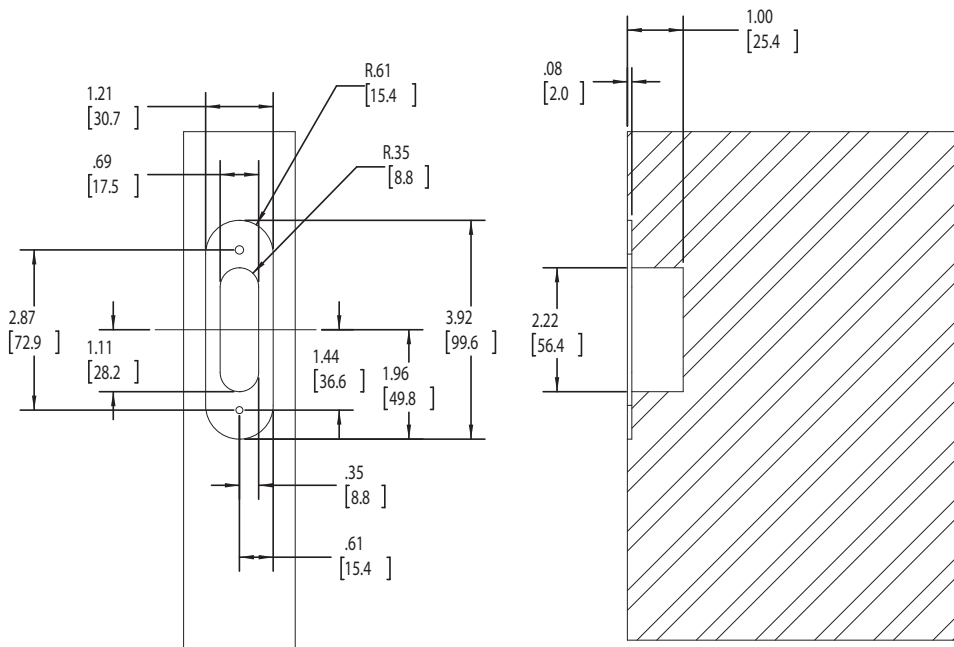
FIG. 12 SENTRY SIDELITE LOCKS
CENTER STRIKE PANEL PREPARATION



**FIG. 13 SENTRY SIDELITE LOCKS
33499 REMOTE TONGUE STRIKE**



**FIG. 14 SENTRY SIDELITE LOCKS
REMOTE TONGUE STRIKE PANEL PREPARATION**



SENTRY® MULTI-POINT LOCKING HARDWARE FOR SIDELITES

FIG. 15 SENTRY SIDELITE LOCKS 33505 REMOTE HOOK STRIKE

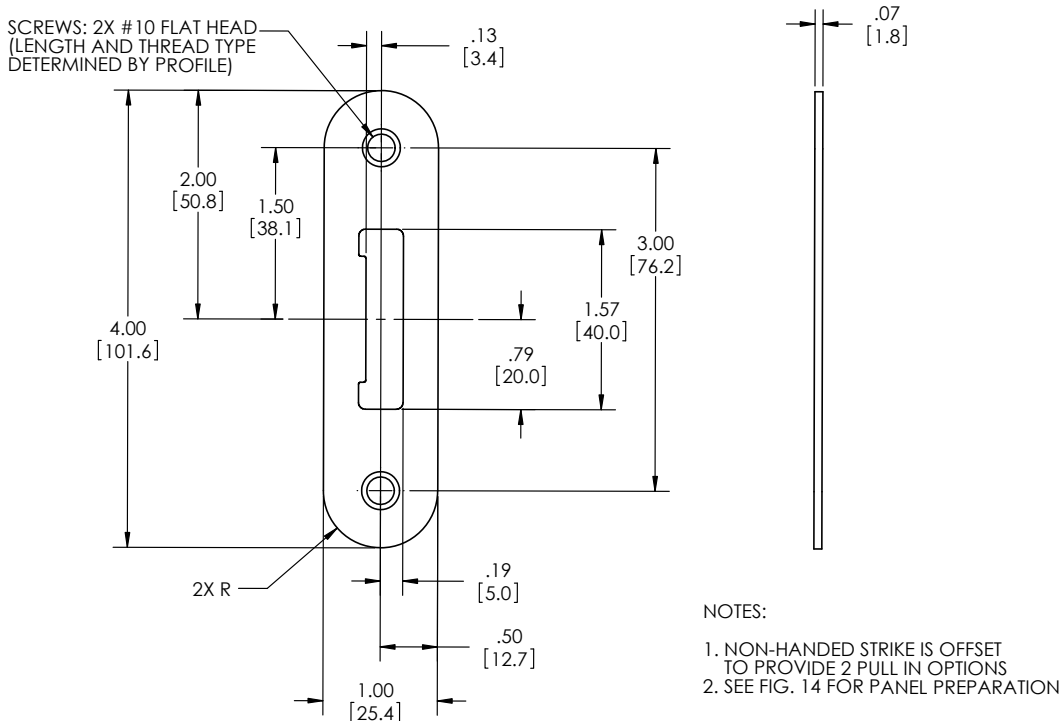


FIG. 16 SENTRY SIDELITE LOCKS REMOTE HOOK PANEL PREPARATION

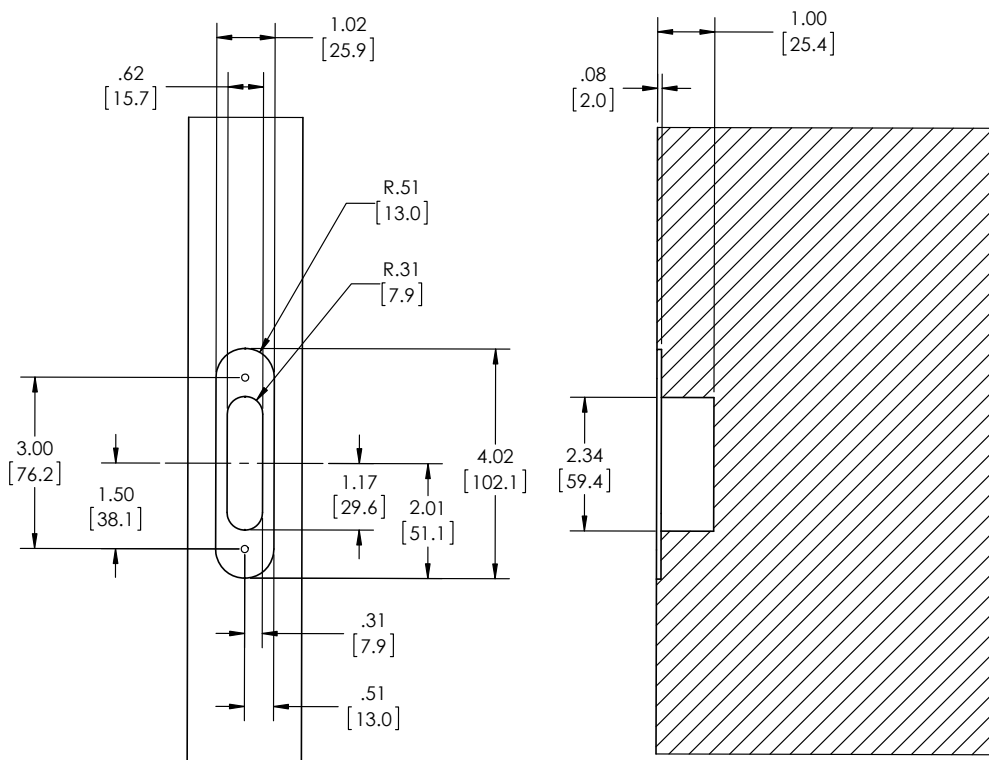
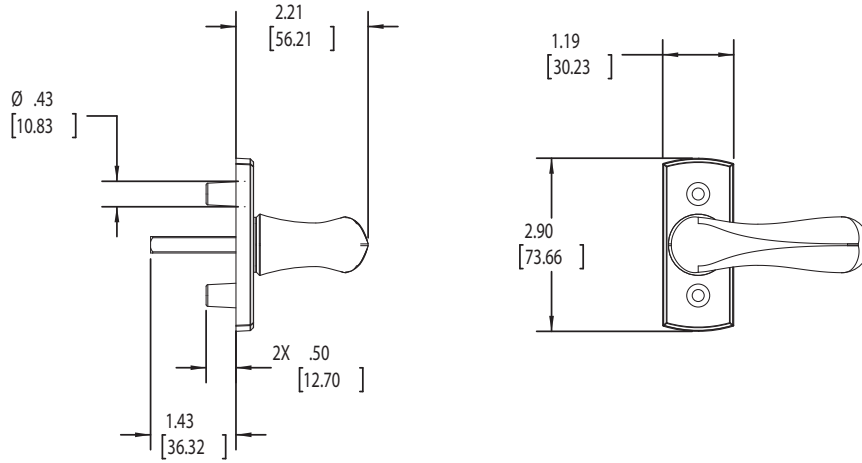
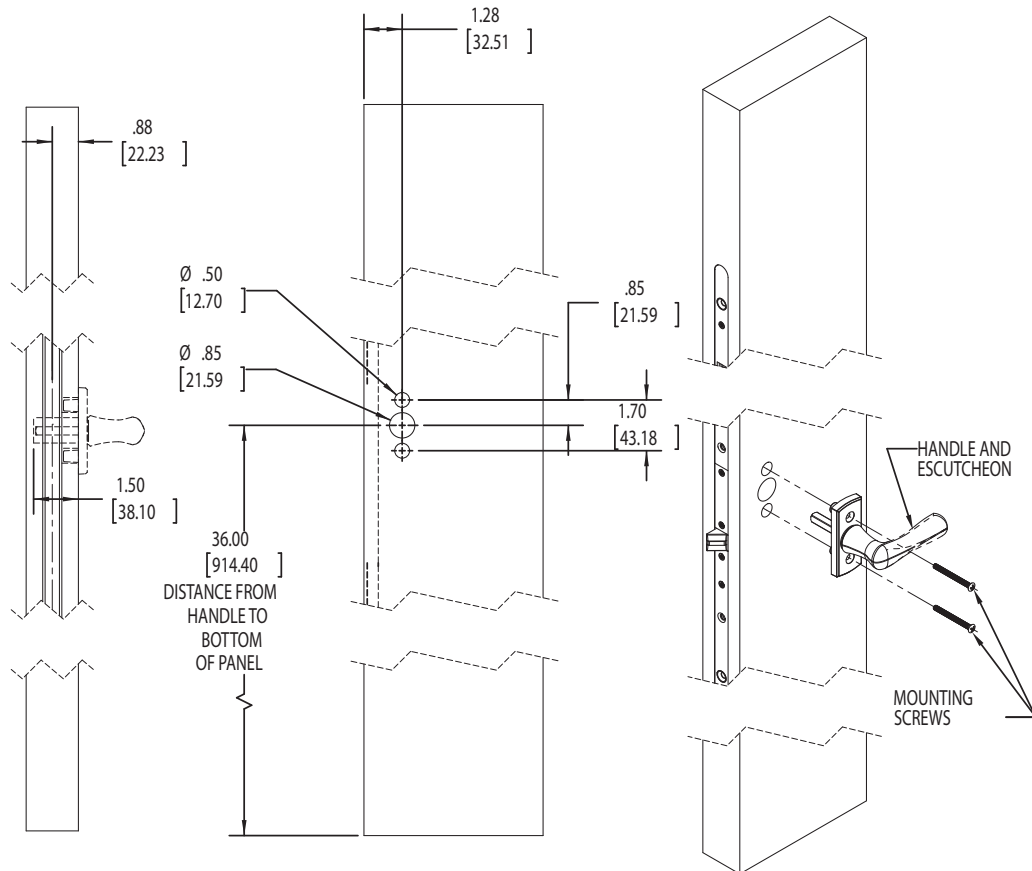


FIG. 17 14207 SENTRY SIDELITE HANDLE



**FIG. 18 SENTRY SIDELITE LOCKS
DOOR PANEL PREPARATION**



**SENTRY® MULTI-POINT
LOCKING HARDWARE
FOR SIDELITES**