



Truth realizes that each profile in the marketplace today may require its own particular Keeper due to the variety of mounting application possibilities. Because of this, Truth has developed a wide variety of Keepers for our TrimLine™ Cam Lock whose shapes and styles were designed to help satisfy these needs.

The TrimLine™ Cam Lock Keepers in the accompanying drawings should provide you with all of the technical information you should require. However, if you wish further technical assistance in selecting a Keeper, please contact Truth.

WARRANTY:

Protected under the terms of the Truth Warranty for Window & Door Manufacturers & Authorized Distributors. Refer to Truth's Terms & Conditions for further details.

MATERIAL: High-pressure, corrosion-resistant die-cast zinc.

FINISH: Electrostatically applied, durable coatings that provide excellent resistance to chipping, scratching and corrosion while maintaining color stability for years in direct sunlight. Please refer to Truth's Color Chart for examples of Truth's most popular finish options. Truth also offers a wide range of decorative "plated" finishes – contact Truth for additional information on availability of these finishes on specific product lines.

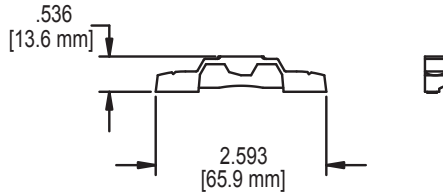
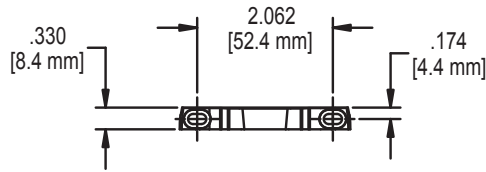
ORDERING INFORMATION:

1. Order Keepers by part number. Refer to lock section for details on A and D dimensions.
2. Specify finish number.

TRUTH TIPS

1. For accurate hardware placement in vinyl or metal applications, pre-drilling of the window profile is recommended.
2. For vinyl window applications, mounting screws should pass through two PVC walls, or one PVC wall and one insert wall. For this reason, it may be necessary to use a longer screw than is recommended.
3. For metal window profiles, Truth recommends stainless steel machine screws. However, in most applications, stainless steel sheet metal screws will provide adequate holding power.

FIG. 1 40368.XX KEEPER



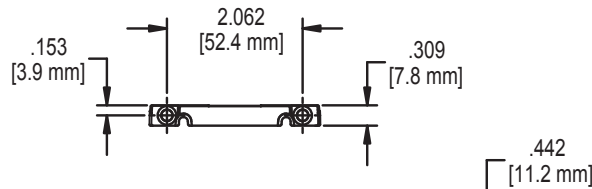
RECOMMENDED SCREWS:

WOOD: (QTY 2) (P/N 19050) #6 X .750
PHILLIPS FLAT HEAD, SHEET METAL
SCREWS

PVC/METAL: (QTY 2) #6 PHILLIPS, FLAT HEAD SCREWS
(LENGTH AND THREAD TYPE TO DETERMINED
BY PROFILE)

AVAILABLE LOCKS	A
17.32	.610 (15.5mm)
17.33	.860 (21.8mm)
17.34	.610 (15.5mm)
17.35	.860 (21.8mm)

FIG. 2 40380.XX KEEPER



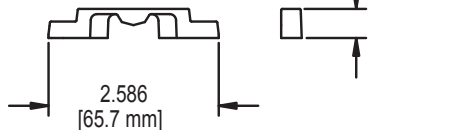
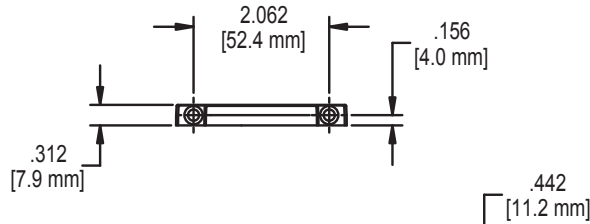
RECOMMENDED SCREWS:

WOOD: (QTY 2) (P/N 19050) #6 X .750 PHILLIPS
FLAT HEAD, SHEET METAL SCREWS

PVC/METAL: (QTY 2) #6 PHILLIPS, FLAT HEAD SCREWS
(LENGTH AND THREAD TYPE TO DETERMINED
BY PROFILE)

AVAILABLE LOCKS	A
17.32	.610 (15.5mm)
17.33	.860 (21.8mm)
17.34	.610 (15.5mm)
17.35	.860 (21.8mm)

FIG. 3 40904.XX KEEPER



RECOMMENDED SCREWS:

WOOD: (QTY 2) (P/N 19050) #6 X .750 PHILLIPS
FLAT HEAD, SHEET METAL SCREWS

PVC/METAL: (QTY 2) #6 PHILLIPS, FLAT HEAD SCREWS
(LENGTH AND THREAD TYPE TO DETERMINED
BY PROFILE)

AVAILABLE LOCKS	A
17.38	.610 (15.5mm)
17.39	.860 (21.8mm)
17.40	.610 (15.5mm)
17.41	.860 (21.8mm)
17.43	.610 (15.5mm)

FIG. 4 40375.XX TRIMLINE KEEPER

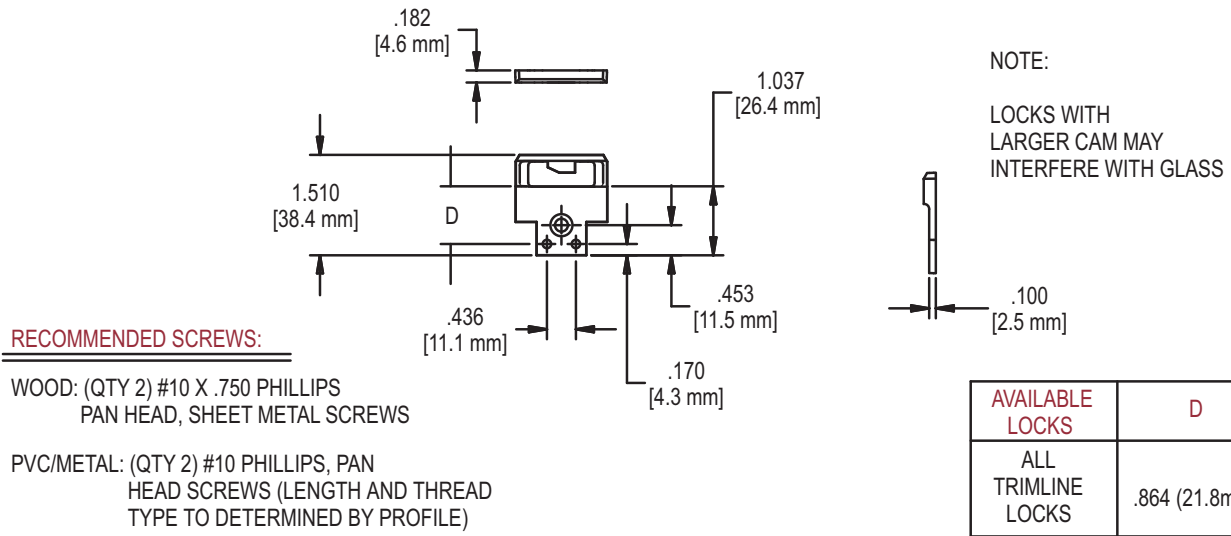


FIG. 5 41298.XX TRIMLINE KEEPER

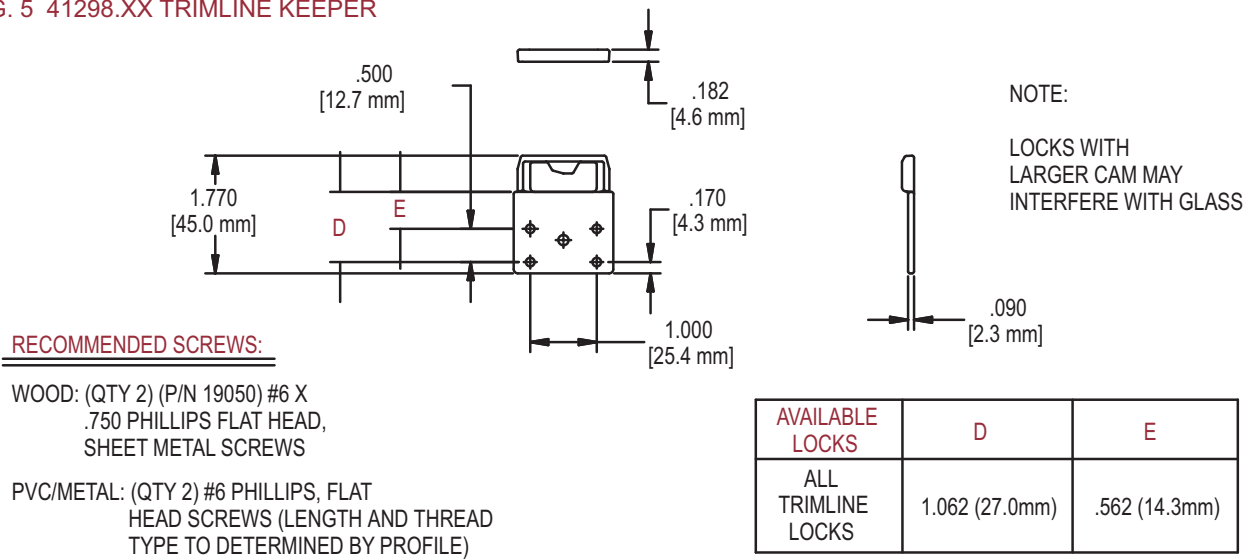
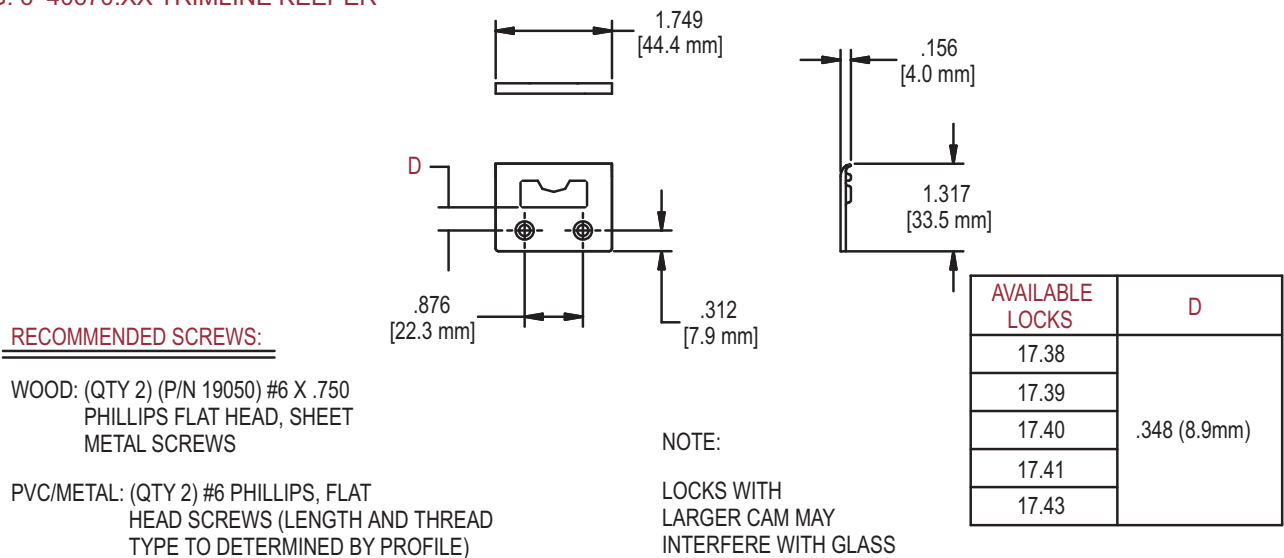
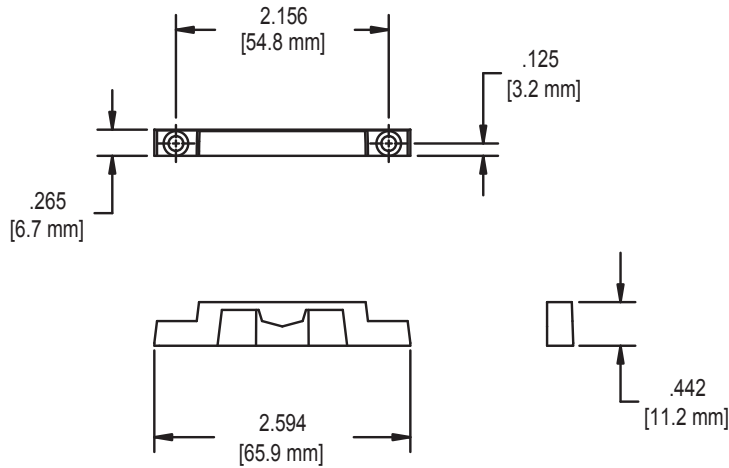


FIG. 6 40670.XX TRIMLINE KEEPER



17 TRIMLINE™ CAM LOCK KEEPERS

FIG. 7 45076.XX KEEPER (narrow flat base)



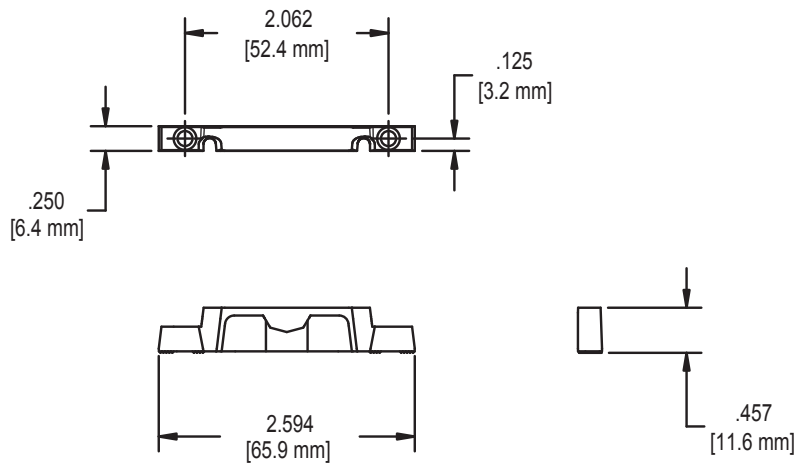
RECOMMENDED SCREWS:

WOOD: (QTY 2) #6 WITH A #5 HEAD X .750 PHILLIPS
FLAT HEAD, SHEET METAL SCREWS.

PVC/METAL: (QTY 2) #6 WITH A #5 HEAD PHILLIPS,
FLAT HEAD SCREWS (LENGTH AND THREAD TYPE
TO DETERMINED BY PROFILE)

AVAILABLE LOCKS	A
17.39	.812 (20.6mm)
17.40	.562 (14.3mm)

FIG. 8 45184.XX KEEPER (narrow flat base)



RECOMMENDED SCREWS:

WOOD: (QTY 2) #6 WITH A #4 HEAD X .750 PHILLIPS
FLAT HEAD, SHEET METAL SCREWS.

PVC/METAL: (QTY 2) #6 WITH A #4 HEAD PHILLIPS,
FLAT HEAD SCREWS (LENGTH AND THREAD TYPE
TO DETERMINED BY PROFILE)

AVAILABLE LOCKS	A
17.33	.828 (21.0mm)
17.34	.578 (14.7mm)