

Truth Hardware's Positive Action Lock (PAL) Systems are some of the most versatile and easy to operate locking systems in the marketplace today. Available in the original Push Button design and new Slide Tab designs, these lock systems are simple to operate and provide added security for both vinyl or wood windows.

A simple movement of the locking tab or push of the button disengages the lock allowing the sash to move freely. When the window is closed the PAL System automatically locks, securing the window without having to manipulate the lock again.

Certain models can be used with or without a keeper depending on the window's design. Window profiles that incorporate a notch in the meeting rail may not require a keeper to secure the window in the locked position resulting in decreased inventory costs to the manufacturer and infinite side-to-side forgiveness in the locks' application.

FEATURES & BENEFITS:

Snap-on Cover: Available in the 19.62/63 slide tab designs, this feature allows for more aesthetic cover possibilities thus reducing material costs and allowing it to fit more applications.

Easy Operation: Comfortable finger pull (slide tab design) provides positive feedback that the lock is fully retracted (slight "snap" felt). Text is located under the pull on the lock to indicate an un-locked condition when the lock bolt is retracted. This provides at-a-glance feedback to the homeowner that the lock is in the unlocked state.

Multiple Mounting Options: Slide Tab design can be mounted with screw fasteners in both the vertical (recessed or top mount) and horizontal (recessed only) orientations and may be fitted into Truth's standard 9369 Series Recessed Lock cut-out (call Truth for info).

Visual Security: The Truth lock bolt on the PAL System will stay retracted when opening the sash and remain retracted until triggered in a positively locked position. Competitive locks tend to trigger when opening the sash, thus providing a false locked position. This unique feature helps users of the PAL System to prevent accidental marring of their window as the lock slides past decorative grilles.

Multiple Keeper configurations: Including top-mount, and face mount keepers. Custom keepers also available to meet customer specific application needs.

LOGO OPTIONS:

For that "personalized touch," Truth Hardware's Positive Action Locks are capable of accepting your company's name or logo with Truth's pad printing process. This logo reproduction process is an attractive way of highlighting your company signature.

WARRANTY:

Protected under the terms of the Truth Warranty for Window & Door Manufacturers and Authorized Distributors. Refer to Truth's Terms & Conditions for further details.

MATERIAL:

High pressure, corrosion resistant, die-cast zinc with a high strength acetal bolt. Slide Tab version constructed of high quality molded plastic cover over die cast base.

FINISH:

Electrostatically applied, durable coatings that provide excellent resistance to chipping, scratching and corrosion while maintaining color stability for years in direct sunlight. Please refer to Truth's color chart for examples of Truth's most popular finish options. Truth also offers a wide range of decorative "plated" finishes – contact Truth for additional information on availability of these finishes on specific product lines.

ORDERING INFORMATION:

- Order PAL System style (specify by part number)
 - #19.62.00.002 Slide Tab PAL – Hook Version w/screw hole spread 1.812 and 1.312
 - #19.63.00.001 Slide Tab PAL – Hook Version w/screw hole spread 2.062
- Order covers for 19.62/63 Slide Tab Versions separately
 - #13663.XX Cover (19.62 model)
 - #13885.XX Cover (19.63 model)
- Specify finish number.
- Select screws (fasteners). Sold separately.

RECOMMENDED SCREWS:

2 - #7 Phillips Flat Head Screws. Refer to drawings for additional specs. Length and thread type to be determined by profile. For further information on screw selection – see Truth Tips.



TRUTH TIPS:

- For accurate hardware placement in vinyl applications, pre-drilling of the window profile is strongly recommended.
- To help locate mounting position, Truth recommends a "locating groove" in the profile. The "dimpled" version of the PAL System used on profiles with a groove will also help keep lock in position during application process.
- For vinyl window applications, mounting screws should pass through two PVC walls, or one PVC wall and one insert wall. For this reason, it may be necessary to use a longer screw than is recommended.
- For top mounted keeper configurations a 0.3" minimum deep surface is needed on the fixed rail with both surfaces flush when closed.

INCLUDE TRUTH SPECS ON YOUR NEXT WINDOW PROJECT

Window check rail locks shall be included which will increase both security and weather seal tightness. The lock must provide easy operation and positively locks upon closure.

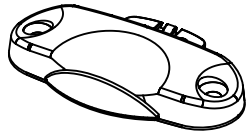
Window lock will be of quick snap action swing bolt design providing maximum forgiveness for sash alignment. The product will be constructed of high pressure zinc alloy die cast with high strength acetal bolt.

Window lock shall have automatic latching to allow user to use both hands to move the sash. Window will be unlocked by pressing a push lever, or sliding tab.

Window locks will be 19 series Positive Action Locks as manufactured by Truth Hardware, Owatonna, Minnesota.

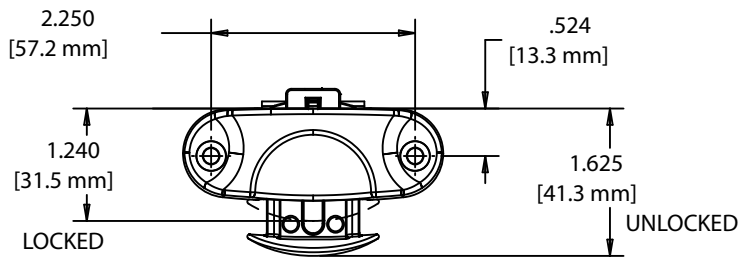
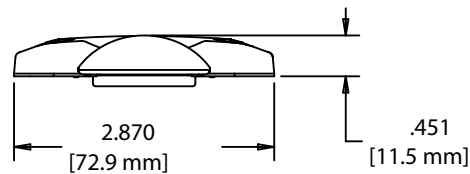
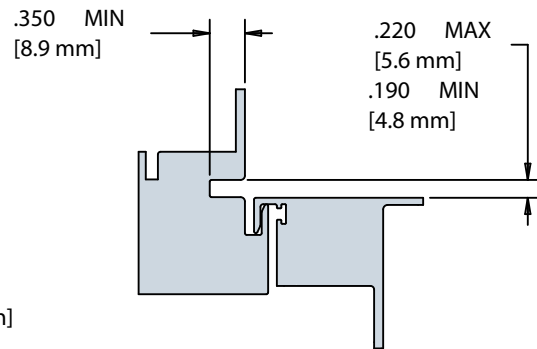
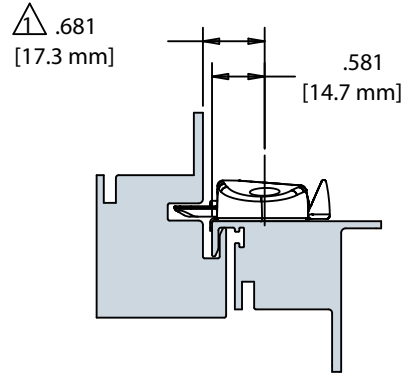
19 POSITIVE ACTION LOCK (PAL SYSTEM)

FIG. 1 APPLICATION OF 19.64 POSITIVE ACTION LOCK (PAL) SYSTEM



LOCKED POSITION SHOWN

HARDWARE SHOWN	
19.64	P.A.L.



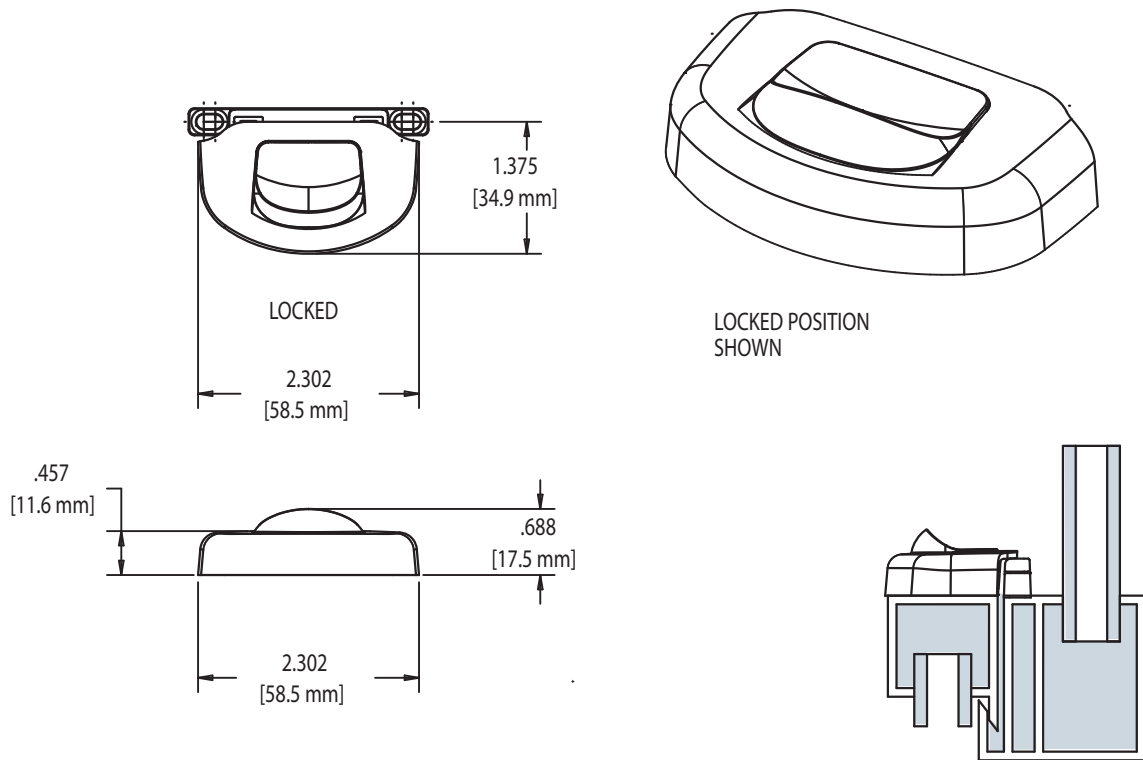
RECOMMENDED SCREWS:

WOOD: #7 PHILLIPS FLAT HEAD SHEET METAL SCREWS (LENGTH TO BE DETERMINED BY PROFILE)

PVC/METAL: #7 PHILLIPS FLAT HEAD SCREWS, (LENGTH AND THREAD TYPE TO BE DETERMINED BY PROFILE)

⚠ DIMENSION MUST BE MAINTAINED FOR PROPER LOCK OPERATION
****FOR ACCURATE HARDWARE PLACEMENT PRE-DRILLING IS STRONGLY RECOMMENDED**

FIG. 2 APPLICATION OF 19.62 POSITIVE ACTION LOCK (PAL) SYSTEM



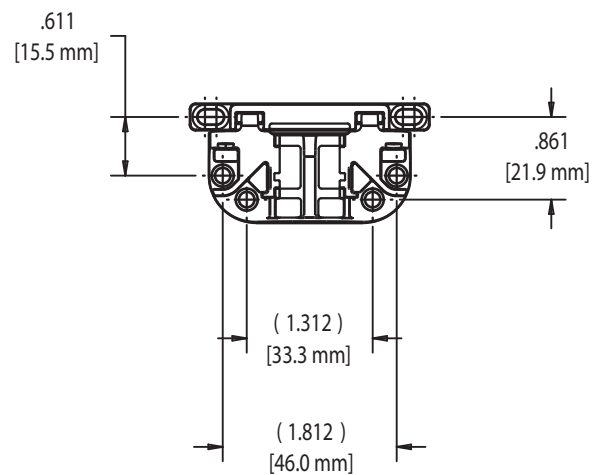
HARDWARE SHOWN	
19.62	P.A.L.
45579.XX	KEEPER
13663.XX	COVER

FOR ADDITIONAL KEEPER
OPTIONS CONTACT TRUTH

RECOMMENDED SCREWS:

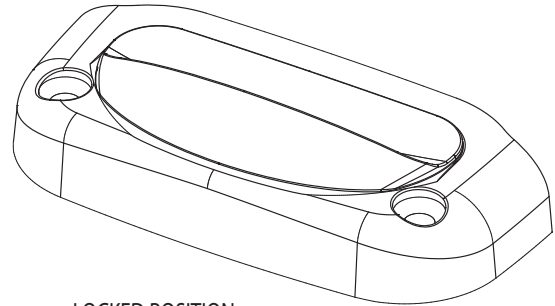
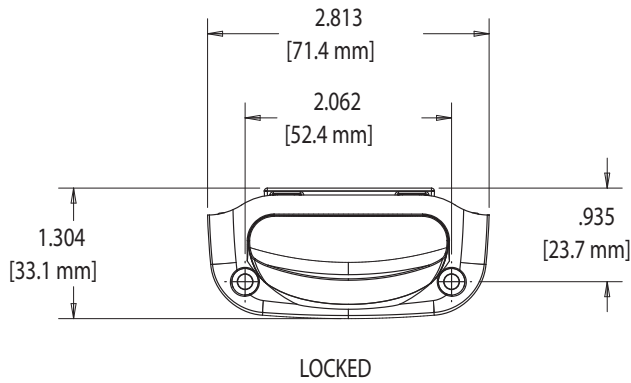
WOOD: #7 PHILLIPS FLAT HEAD SHEET METAL SCREWS
(LENGTH TO BE DETERMINED BY PROFILE)

PVC/METAL: #7 PHILLIPS FLAT HEAD SCREWS (LENGTH AND THREAD
TYPE TO BE DETERMINED BY PROFILE)

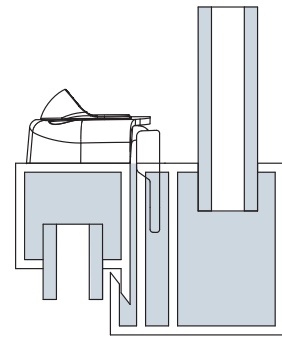
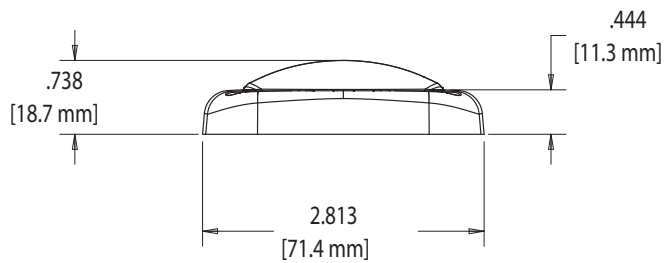


19 POSITIVE ACTION LOCK (PAL SYSTEM)

FIG. 3 APPLICATION OF 19.63 POSITIVE ACTION LOCK (PAL) SYSTEM

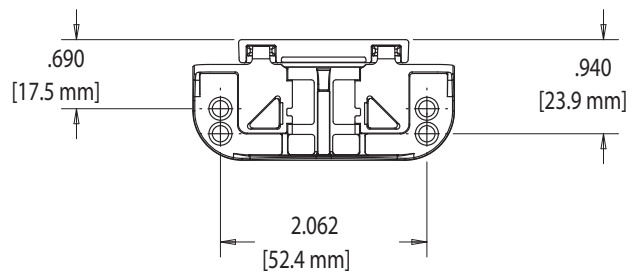


LOCKED POSITION SHOWN



HARDWARE SHOWN	
19.63	P.A.L.
45639.XX	KEEPER
13885.XX	COVER

FOR ADDITIONAL KEEPER
OPTIONS CONTACT TRUTH

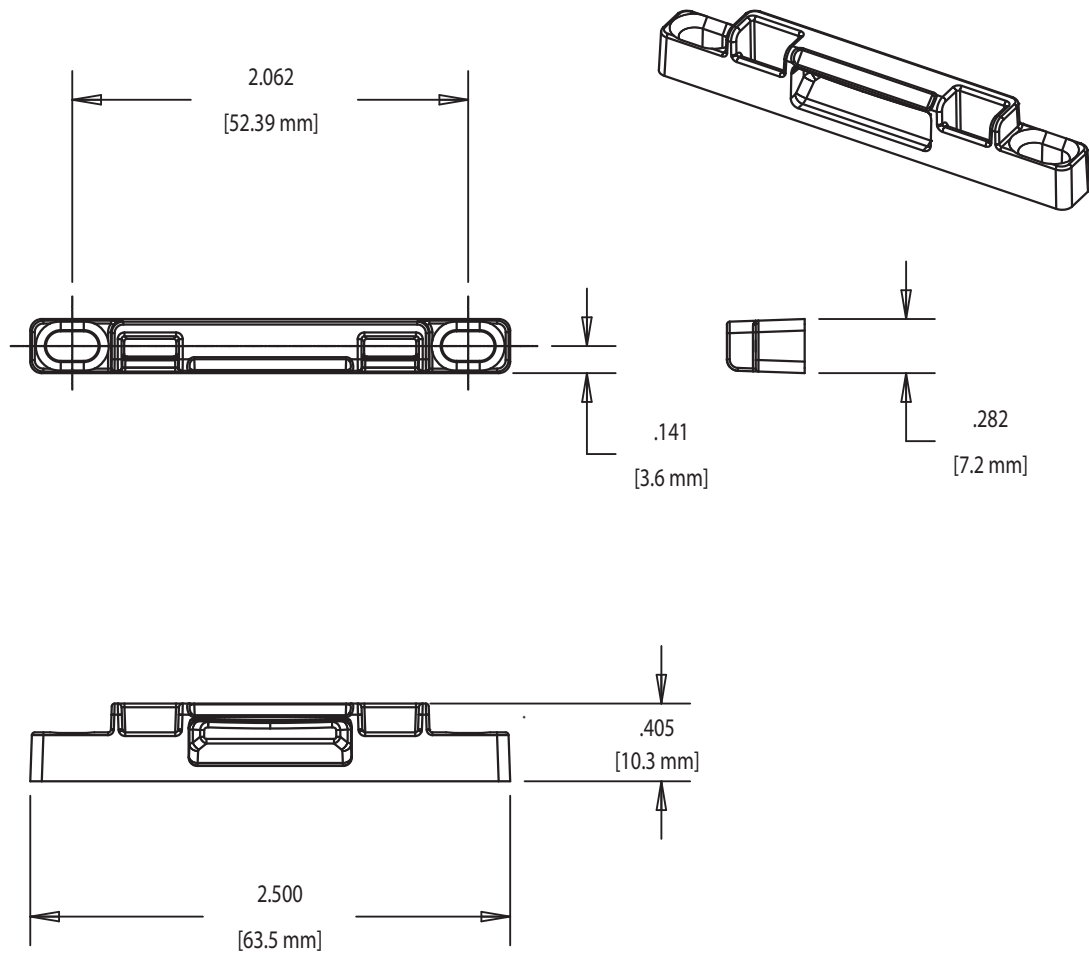


RECOMMENDED SCREWS:

WOOD: #6 PHILLIPS FLAT HEAD SHEET METAL SCREWS (LENGTH AND THREAD TYPE TO BE DETERMINED BY PROFILE)

PVC/METAL: #6 PHILLIPS FLAT HEAD SCREWS, (LENGTH AND THREAD TYPE TO BE DETERMINED BY PROFILE)

FIG. 4 45579.XX KEEPER



AVAILABLE LOCK	
19.62	PAL
19.63	PAL

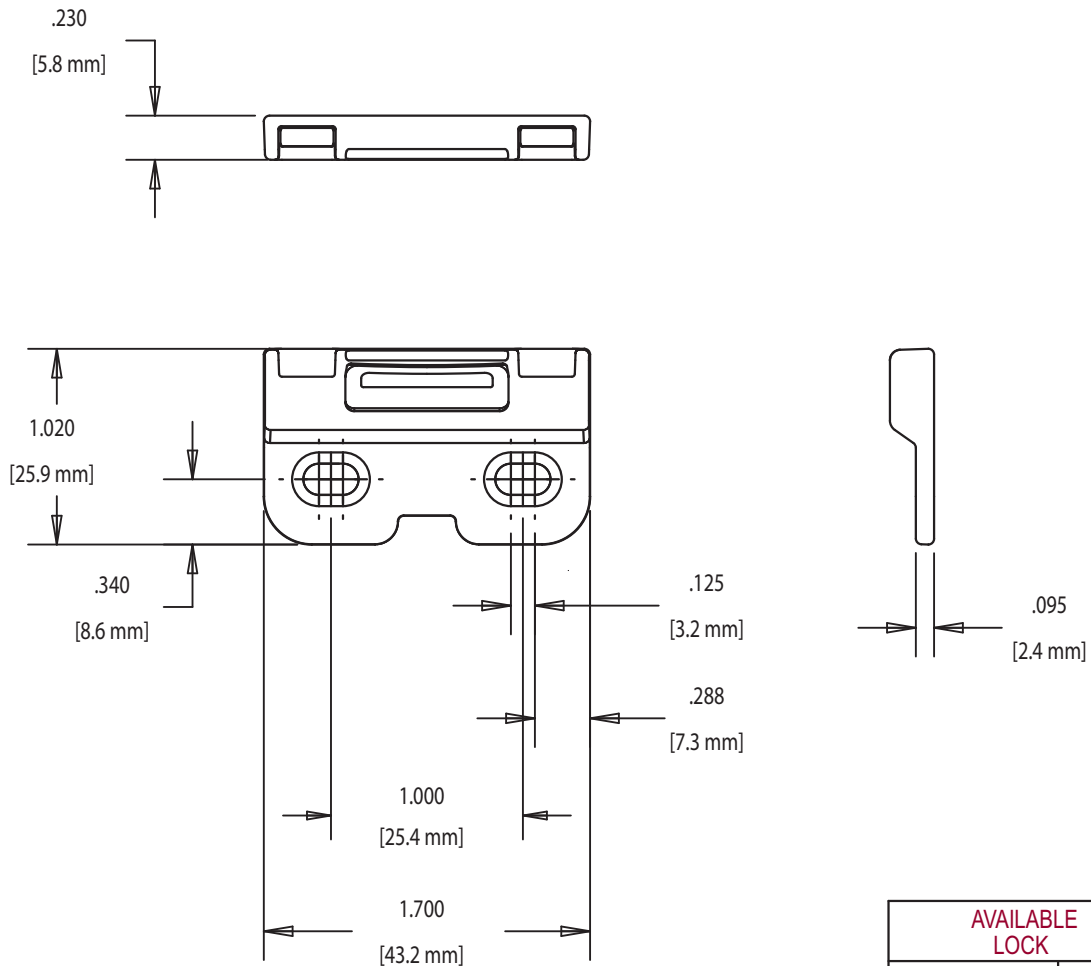
RECOMMENDED SCREWS:

WOOD: #7 PHILLIPS FLAT HEAD SHEET METAL SCREWS
(LENGTH TO BE DETERMINED BY PROFILE)

PVC/METAL: #7 PHILLIPS FLAT HEAD SCREWS (LENGTH AND THREAD
TYPE TO BE DETERMINED BY PROFILE)

19 POSITIVE ACTION LOCK (PAL SYSTEM)

FIG. 5 45639.XX KEEPER



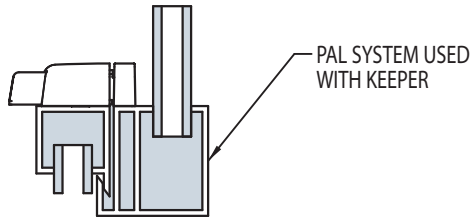
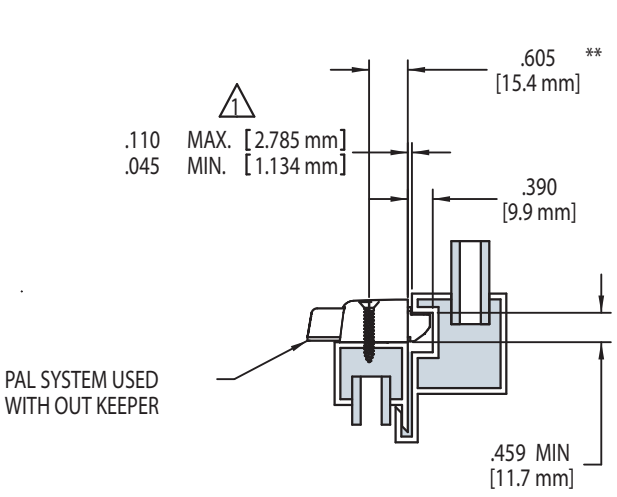
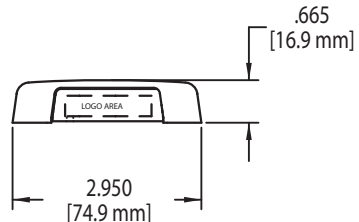
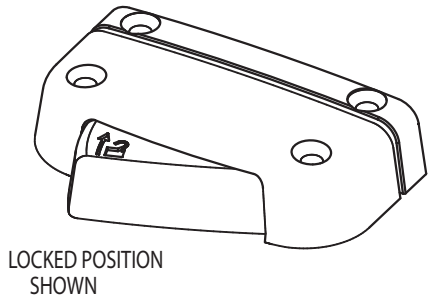
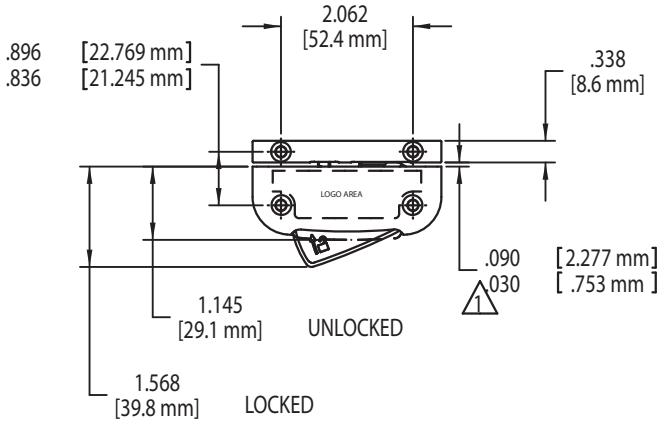
AVAILABLE LOCK	
19.62	PAL
19.63	PAL

RECOMMENDED SCREWS:

WOOD: #7 PHILLIPS FLAT HEAD SHEET METAL SCREWS
(LENGTH TO BE DETERMINED BY PROFILE)

PVC/METAL: #7 PHILLIPS FLAT HEAD SCREWS (LENGTH
AND THREAD TYPE TO BE DETERMINED BY PROFILE)

FIG. 6 APPLICATION OF 19.60 POSITIVE ACTION LOCK (PAL) SYSTEM



HARDWARE SHOWN	
19.60	P.A.L.
41235.XX	KEEPER

FOR ADDITIONAL KEEPER OPTIONS CONTACT TRUTH

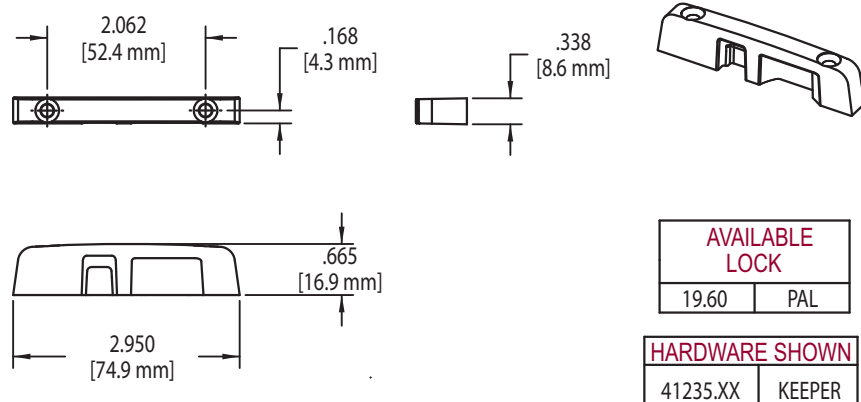
RECOMMENDED SCREWS:

WOOD: (P/N 19160.XX) #7 X 1 1/2 PHILLIPS FLAT HEAD SHEET METAL SCREWS.

PVC/METAL: #7 PHILLIPS FLAT HEAD SCREWS, (LENGTH AND THREAD TYPE TO BE DETERMINED BY PROFILE)

⚠ DIMENSIONS MUST BE MAINTAINED FOR PROPER LOCK OPERATION
 ** FOR ACCURATE HARDWARE PLACEMENT PRE-DRILLING IS STRONGLY RECOMMENDED

FIG. 7 41235 KEEPER

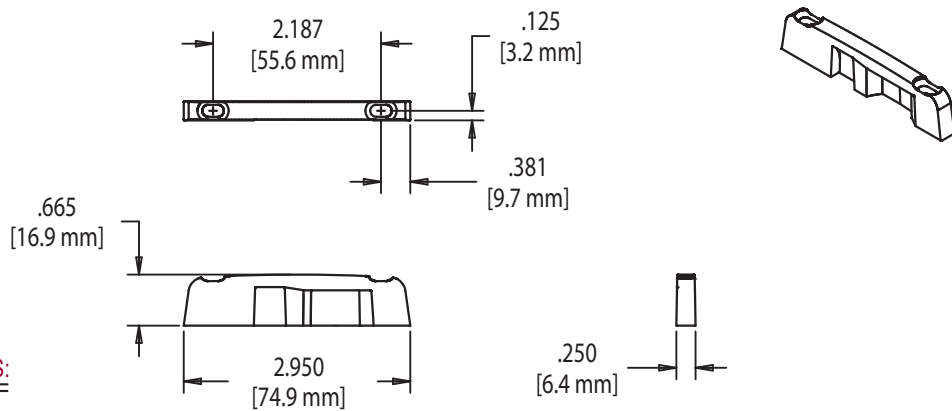


RECOMMENDED SCREWS:

WOOD: (QTY 2) (P/N 19160.XX) #7 X 1 1/2 PHILLIPS
FLAT HEAD SHEET METAL SCREWS

PVC/METAL: #7 PHILLIPS FLAT HEAD SCREWS,
(LENGTH AND THREAD TYPE TO BE
DETERMINED BY PROFILE)

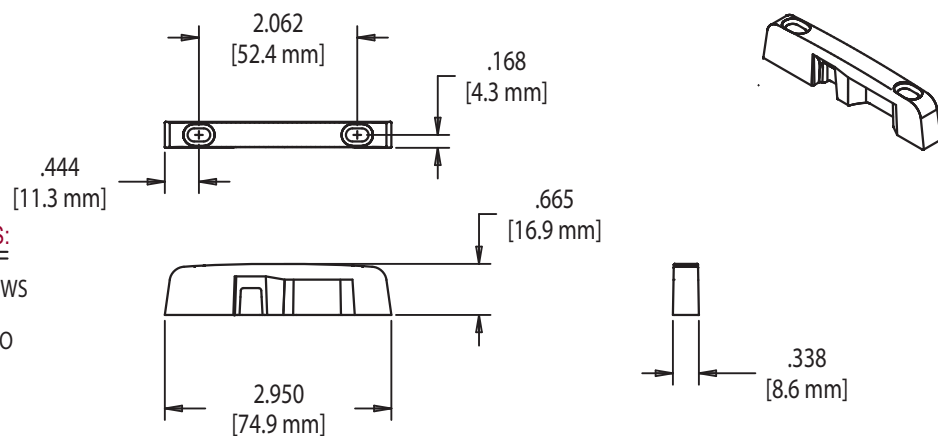
FIG. 8 32780 KEEPER



RECOMMENDED SCREWS:

(QTY 2) #6 SHEET METAL SCREWS
PHILLIPS FLAT HEAD SCREWS.
(LENGTH AND THREAD TYPE TO
BE DETERMINED BY PROFILE)

FIG. 9 41320 KEEPER



RECOMMENDED SCREWS:

(QTY 2) #6 SHEET METAL SCREWS
PHILLIPS FLAT HEAD SCREWS.
(LENGTH AND THREAD TYPE TO
BE DETERMINED BY PROFILE)