

### HARMONY SYSTEM

Building on the popularity we received on our award-winning Fusion™ System, Truth Hardware has now embarked on the next generation combination lock and tilt latch system named, the Harmony™ System. Aptly named, as this system beautifully integrates the check rail lock and tilt latch together in a manner which creates a new level of installation ease.

### INTEGRATED TECHNOLOGY

The Harmony System has been designed to allow the homeowner to activate the lock and tilt latches with the same device. By simply manipulating the lever on one lock, an individual can both lock or unlock their window, and activate the tilt latches to pivot the sash to allow for ease of cleaning. Manufacturers will appreciate the ease of installation - you just snap in the tilt latch, screw down the lock and you are good to go. The Harmony system even self-locates for you!

### TILT LATCHES OFFERED IN TWO VERSIONS – The Standard Harmony Latch and the new Harmony 7 Latch.

The Standard Harmony latch version should be considered when there is an existing reinforcement surface for mounting or if the internal reinforcement can be modified. If this is not the case, then the Harmony 7 Latch version is the better choice.

### FEATURES & BENEFITS

- Lock and tilt latch release are actuated by one mechanism
- Quick and easy assembly
- Self locating features in lock and latch!
- Latches are hidden within the checkrail, thus producing cleaner site lines on the window.
- Simple routing for lock and latch
- Detents and icons indicate lock/unlock/tilt positions
- Harmony 7 latches are color coded for quick identification of correct hand
- Matching, non-actuating lock assembly available for applications where you don't want an integrated lock/latch!



Harmony System (locked)



Harmony System (unlocked)



Harmony System (tilt latch retracted)

### LOGO OPTIONS

You can personalize the Harmony System with your logo. Truth's pad printing process is a great way to highlight your company's identity and reinforce your brand in the marketplace.

### WARRANTY

Protected under the terms of the Truth Warranty for Window & Door Manufacturers and Authorized Distributors. Refer to Truth's Terms & Conditions for further details.

### MATERIAL

Housing assembly is powder coated diecast zinc. Latch assemblies are of a composite construction consisting of engineered plastics and stainless steel, or SST wire.

### FINISH

Electrostatically applied, durable coatings that provide excellent resistance to chipping, scratching and corrosion resistance while maintaining color stability for years in direct sunlight.

Please refer to Truth's color chart for examples of Truth's most popular finish options. Truth also offers a wide range of decorative "plated" finishes – contact Truth for additional information on availability of these finishes on specific product lines.

### ORDERING INFORMATION

Order the Harmony System by individual components:

**LOCKS:** (same lock used for either Harmony or Harmony 7 applications)  
**# 19.77.XX.010** – Housing/Lever LH Lock assembly  
**# 19.77.XX.020** – Housing/Lever RH Lock assembly  
**# 19.78.XX.010** – Housing/Lever Assembly – Passive (for use on applications without integrated latch)

**KEEPERS:** (same keeper used for either Harmony of Harmony 7 applications – see drawings for available keeper designs)

# 45678.XX Keeper

# 42052.XX Keeper

# 45674.XX Keeper

# 33676.XX Keeper

# 45686.XX Keeper (special to Trustgard window design)

**LATCHES** (Standard Harmony Latches)

# 14222 – Standard Harmony Latch assembly (LH)

# 14223 – Standard Harmony Latch assembly (RH)

# 14306 – Standard Harmony Latch assembly with offset (LH)

# 14307 – Standard Harmony Latch assembly with offset (RH)

**The following Tilt Latches require**

# 45683 – Cage (purchased separately):

**(Harmony 7 latches)**

# 14321 – 5” Tilt Latch (LH)

# 14322 – 5” Tilt Latch (RH)

# 14323 – 7” Tilt Latch (LH)

# 14324 – 7” Tilt Latch (RH)

# 14325 – 9” Tilt Latch (LH)

# 14326 – 9” Tilt Latch (RH)

**RECOMMENDED SCREWS** (sold separately)

4 - # 6 Phillips Flat Head Screws (Length and thread type to be determined by profile). For additional information on screw selection – see Truth Tips.

**TRUTH TIPS**

1. When two locks are used on one window, the placement of each lock, with respect to its keeper, becomes very critical to maintain a consistent weather seal on all sides of the window and to insure that each lock engages properly with its keeper.

2. For vinyl window applications, mounting screws should pass through two PVC walls or one PVC Wall and one insert wall.

FIG. 1 19.77.XX.020 RH LOCK SHOWN (19.77.XX.010 LH LOCK)

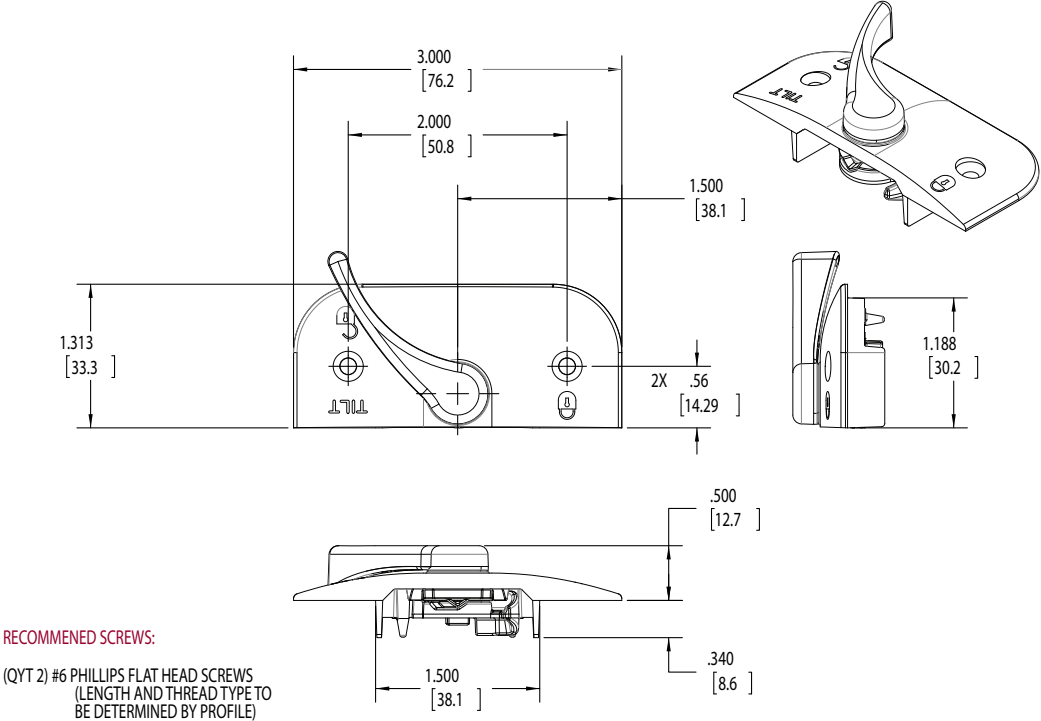


FIG. 2 19.78.XX.010 LH LOCK PASSIVE SHOWN

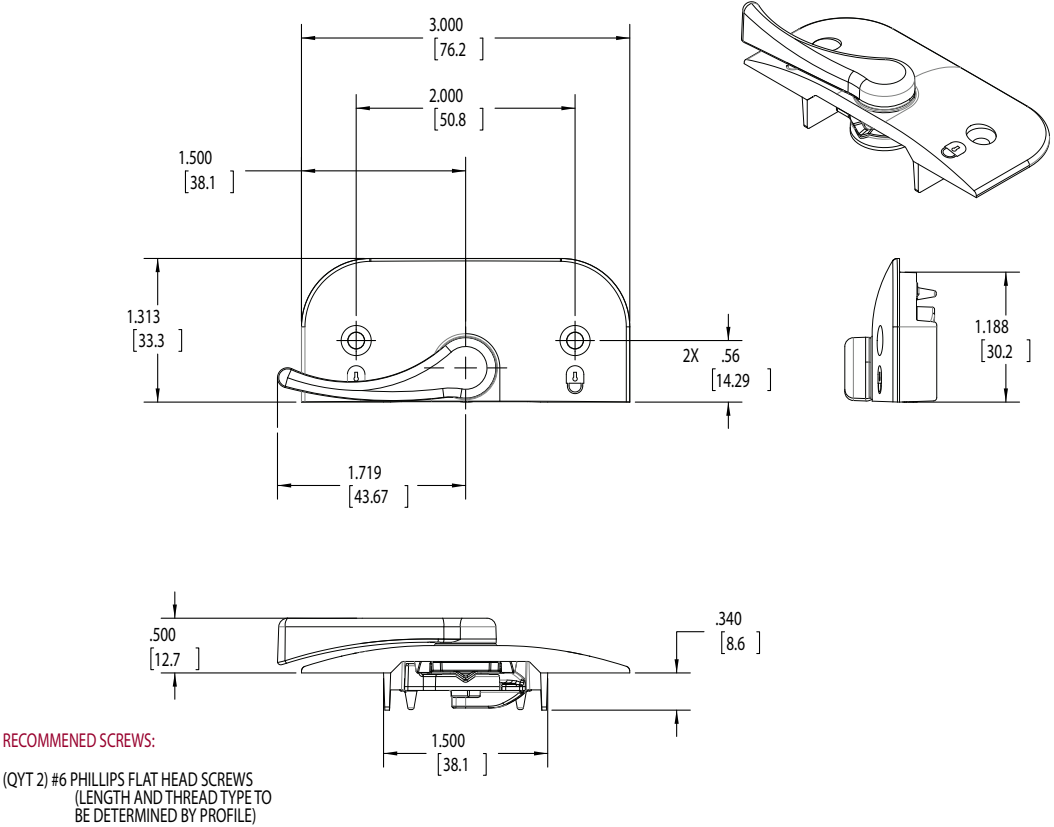


FIG. 3 LH LATCH 14222 SHOWN (RH LATCH IS 14223)

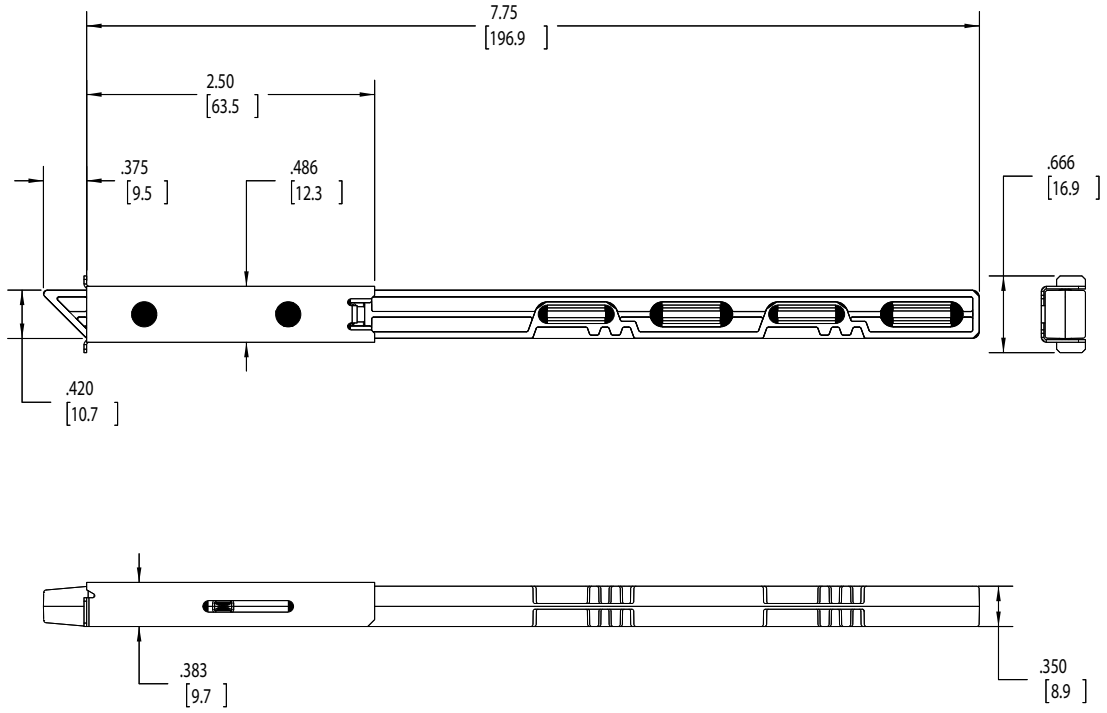


FIG. 4 LH LATCH 14306 SHOWN (RH LATCH IS 14307)

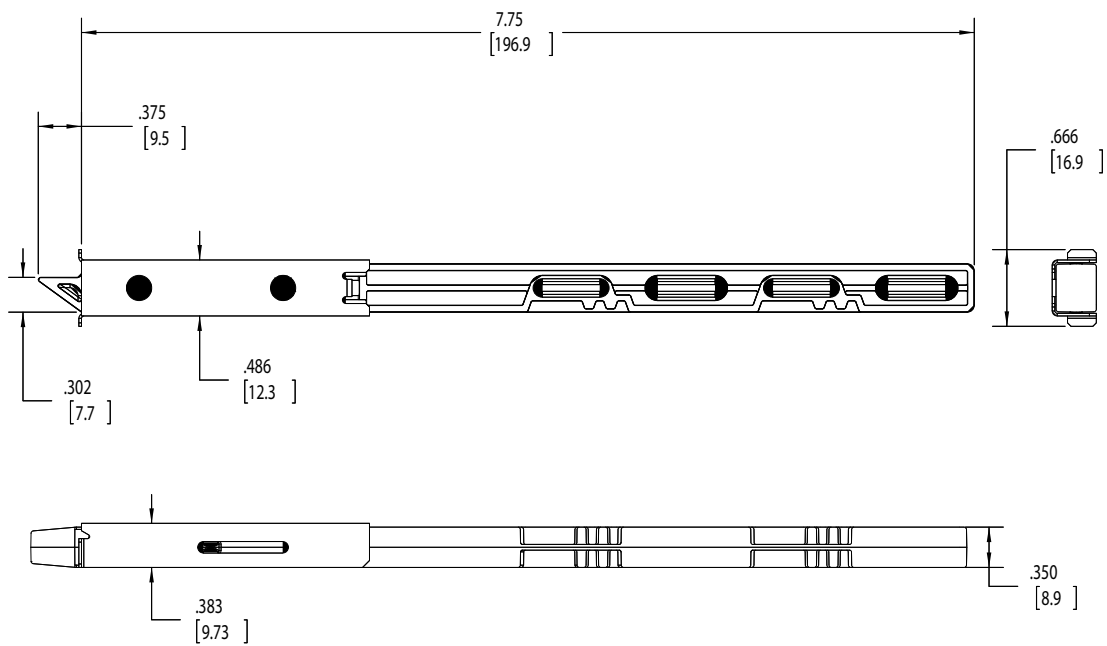


FIG. 5 19.77.XX.010 AND 19.77.XX.020 LOCK ASSEMBLY TO STANDARD HARMONY LATCHES

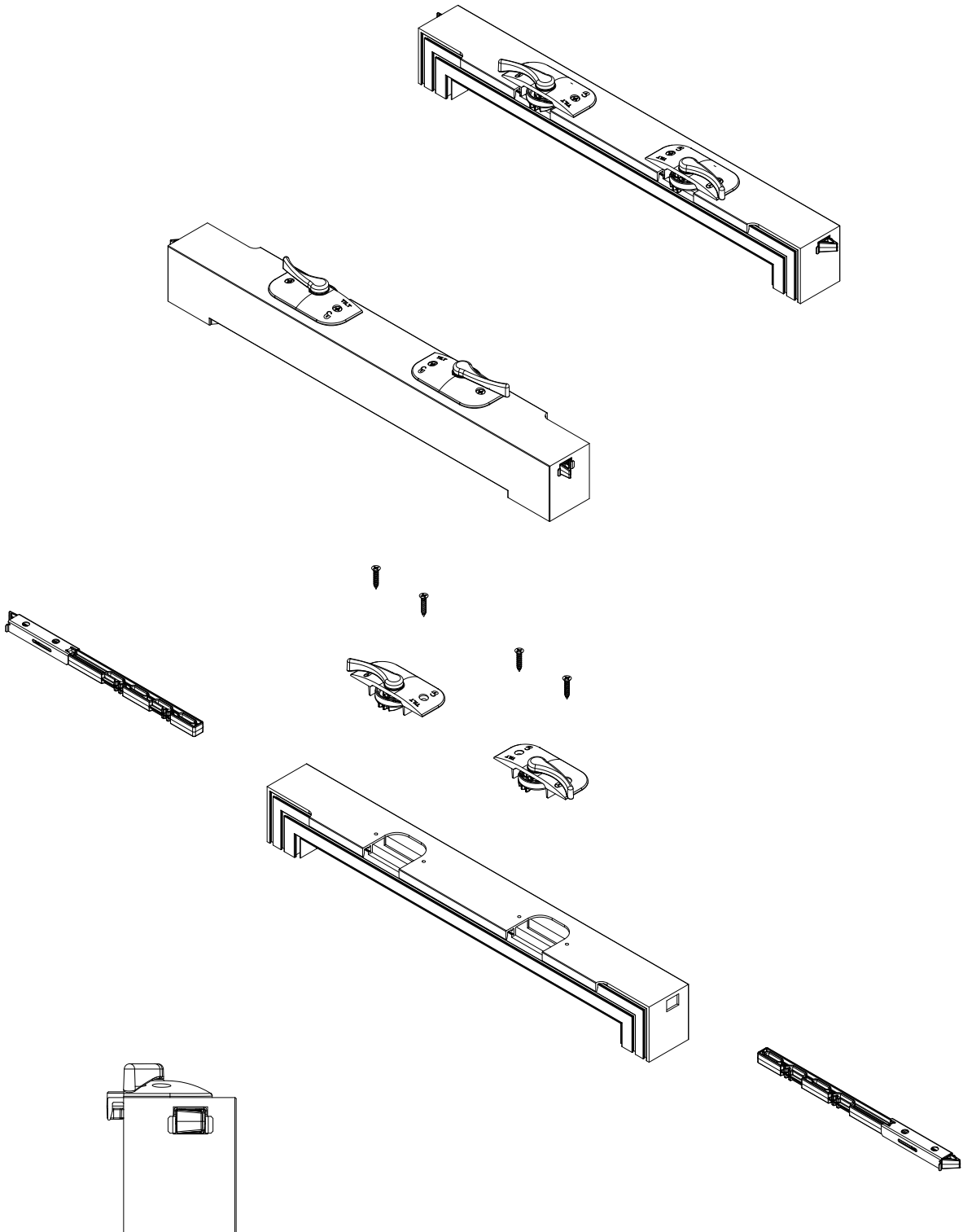
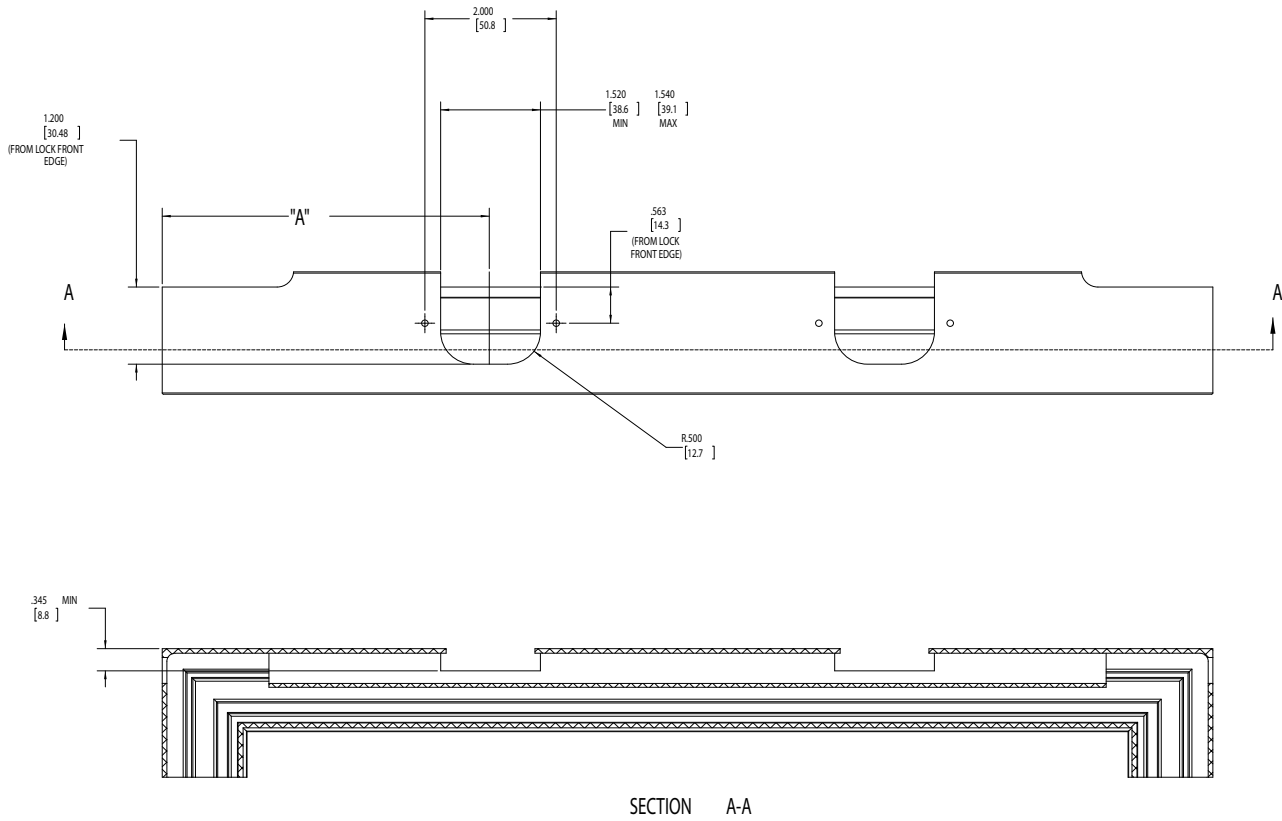


FIG. 6 19.77.XX.010 LOCK APPLICATION



"A"
5.000" (127.0mm)
7.000" (177.8mm)

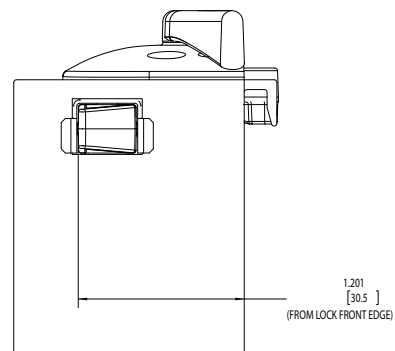
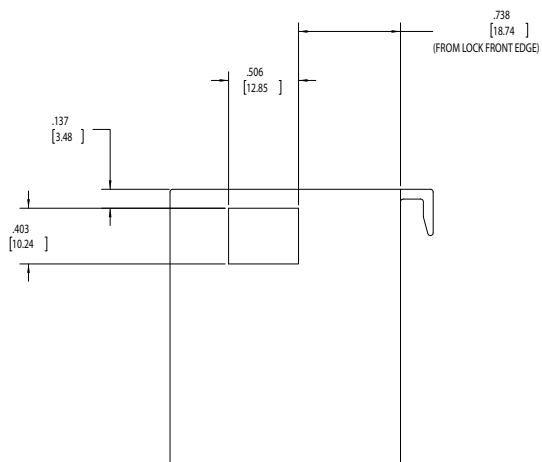


FIG. 7 19.77.XX.020 RH LOCK SHOWN (19.77.010 LH LOCK)

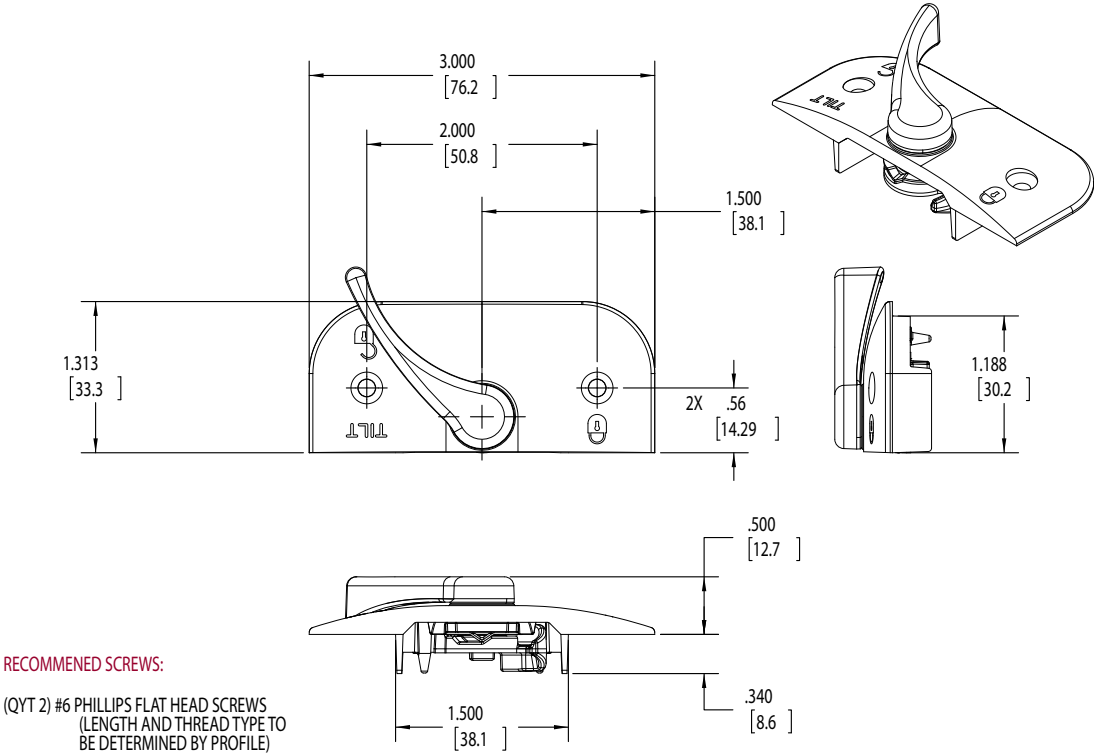


FIG. 8 19.78.XX.010 LH LOCK PASSIVE SHOWN

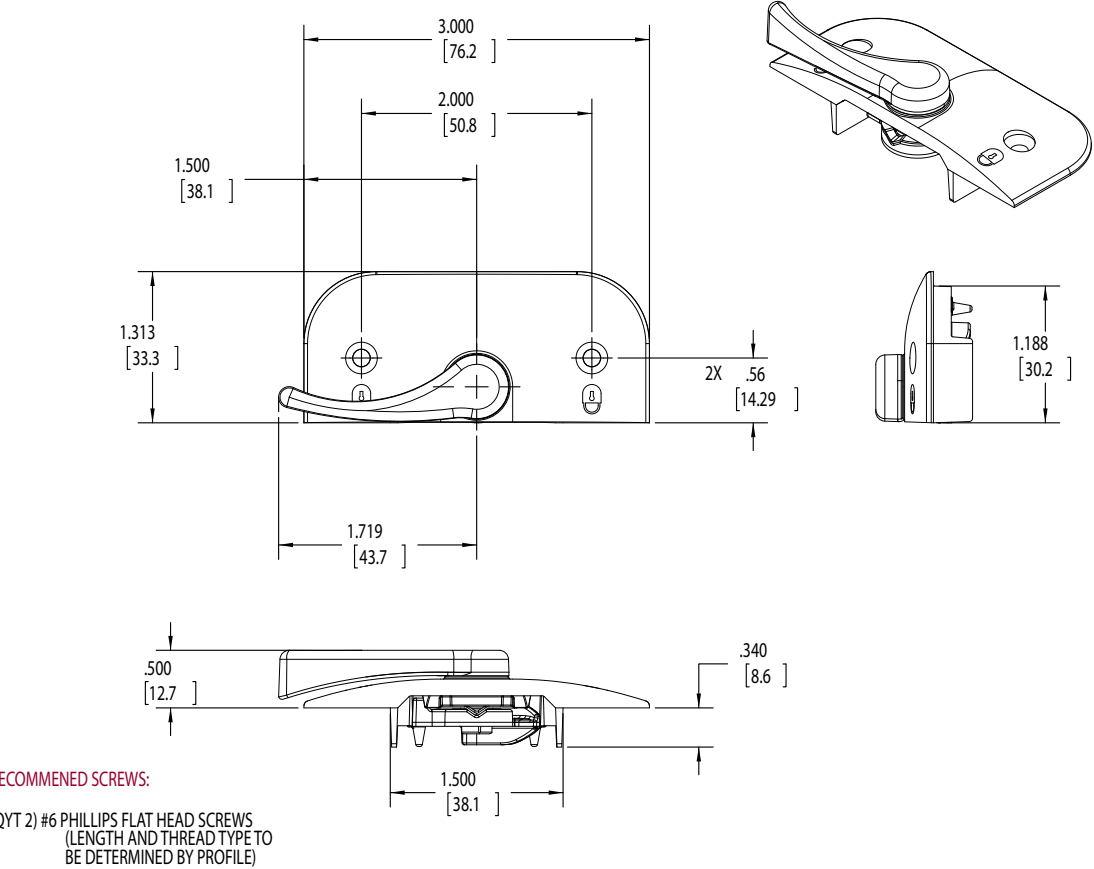


FIG. 9 5" LATCH 14321 SHOWN (5" RH LATCH IS 14322)

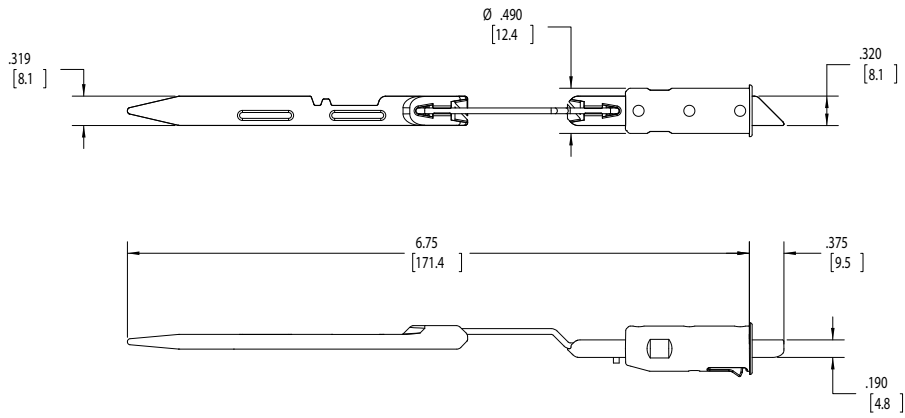


FIG. 10 7" 14323 LH SHOWN (7" RH LATCH 14324)

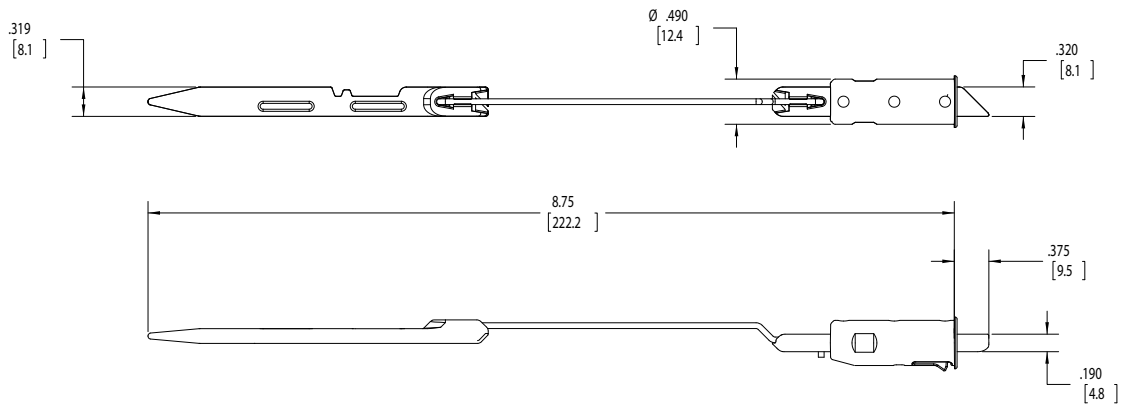


FIG. 11 9" LH 14325 SHOWN (9" RH LATCH 14326)

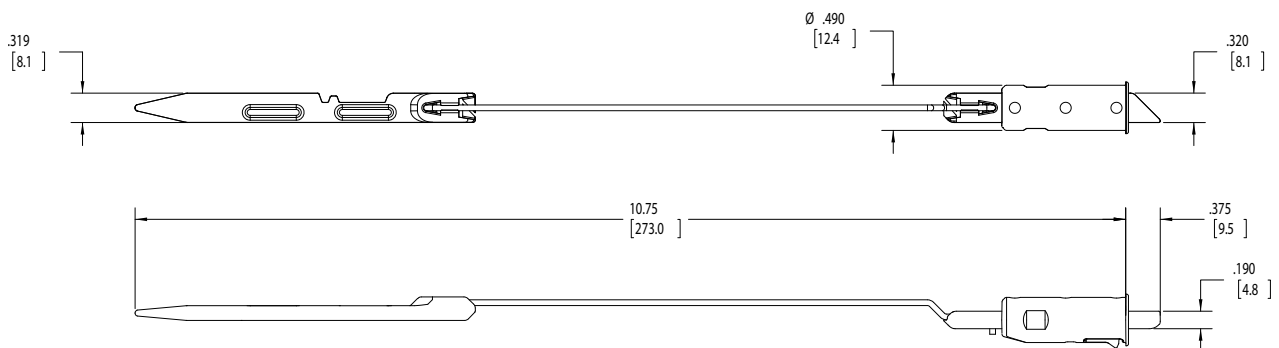




FIG. 12 45683 CAGE

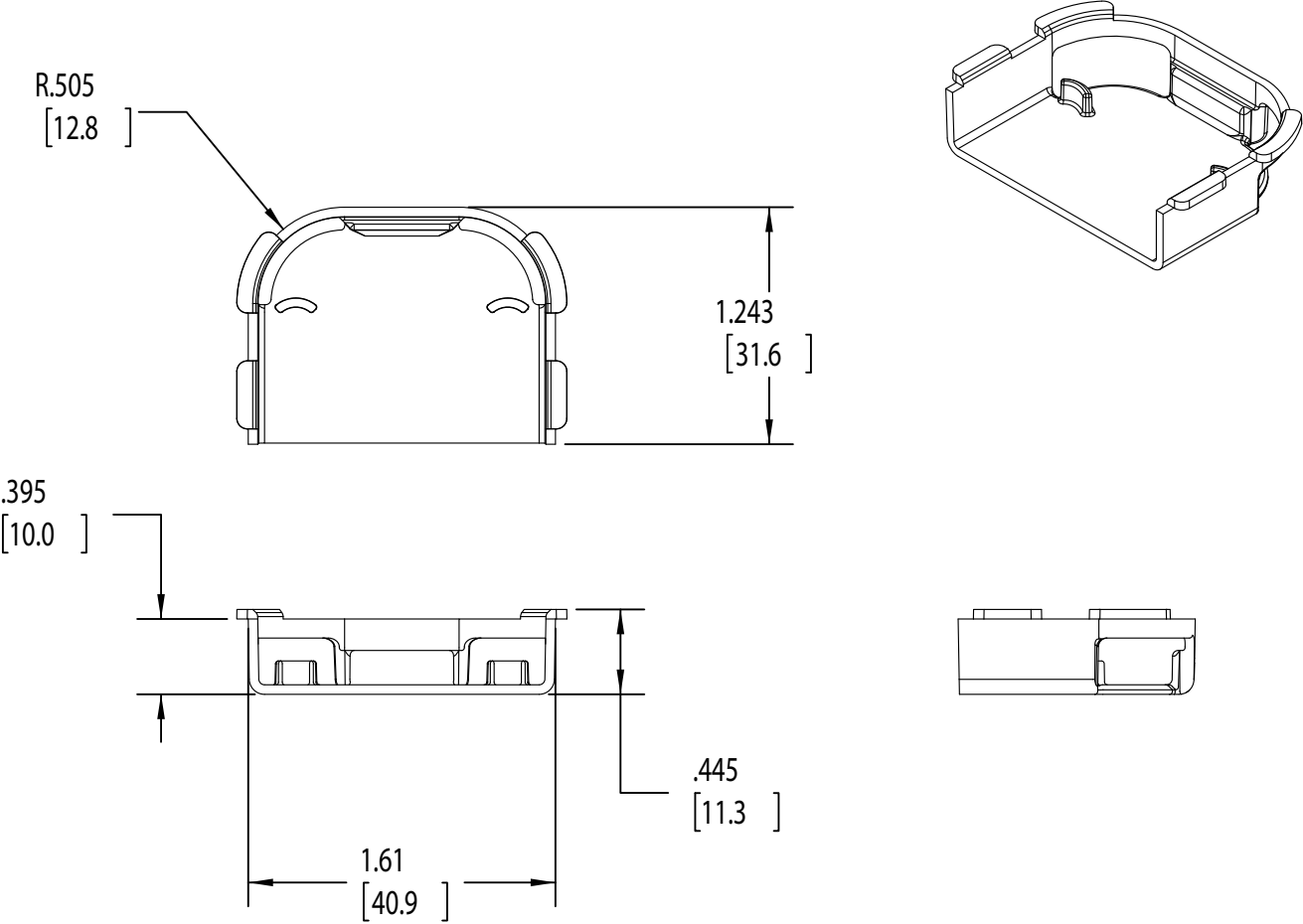


FIG. 13 19.77.XX.010 AND 19.77.XX.020 LOCK ASSEMBLY TO HARMONY 7 LOCK LATCHES

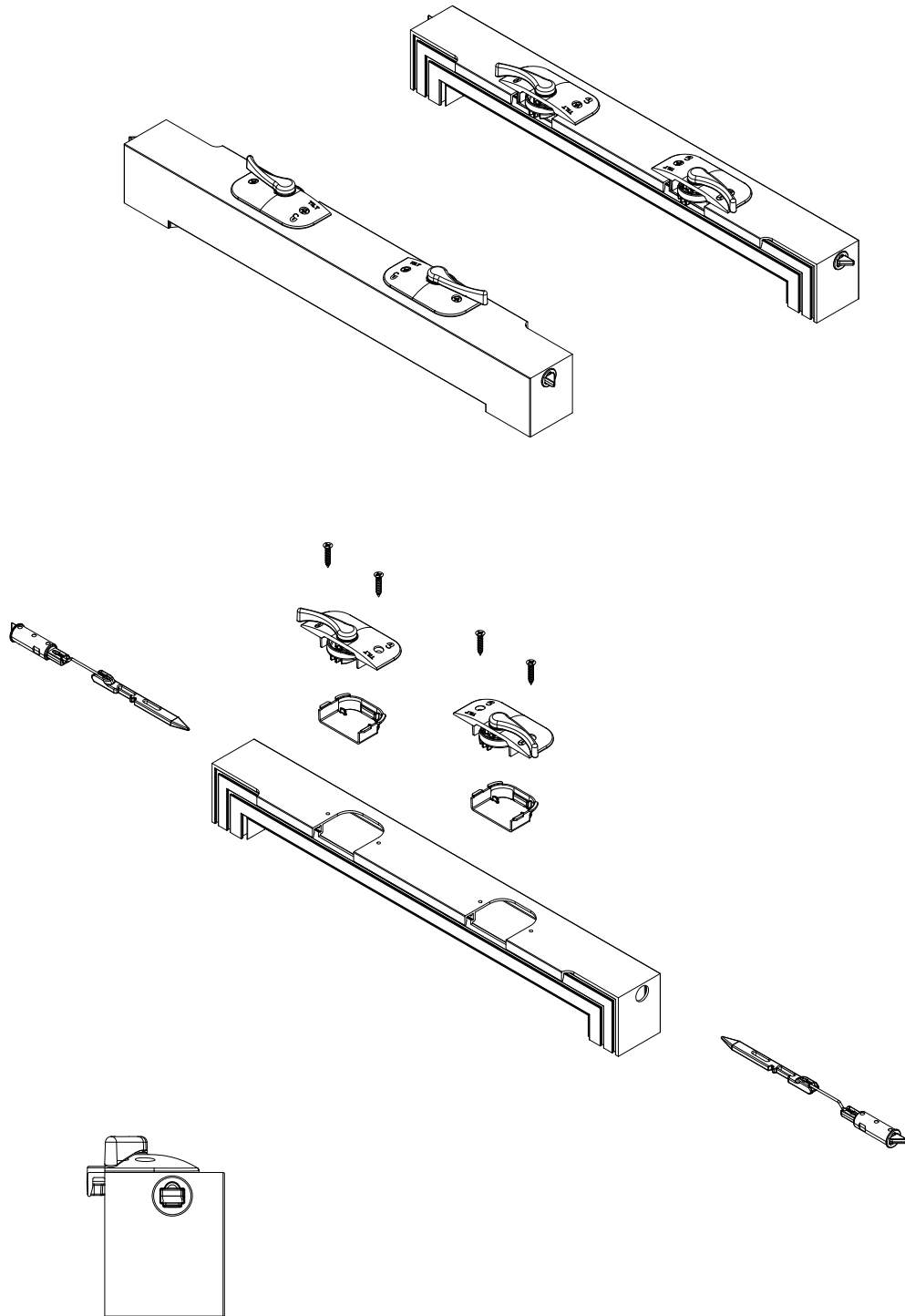
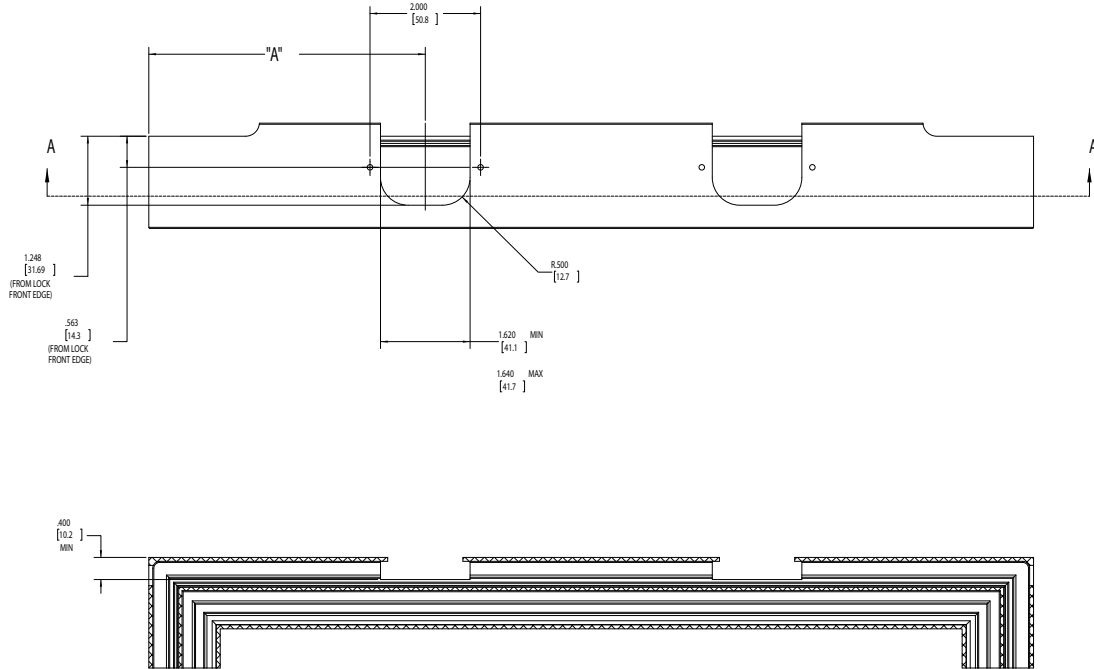


FIG. 14 19.77 HARMONY 7 LOCK APPLICATION



SECTION A-A  
SCALE 1:1

"A"
5.000" (127.0)
7.000" (177.8)
9.000" (228.6)

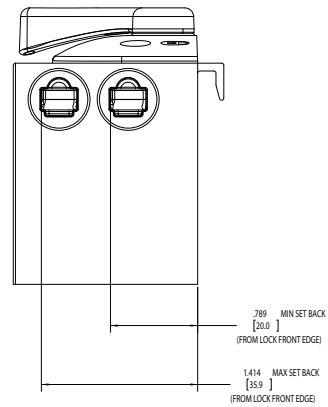
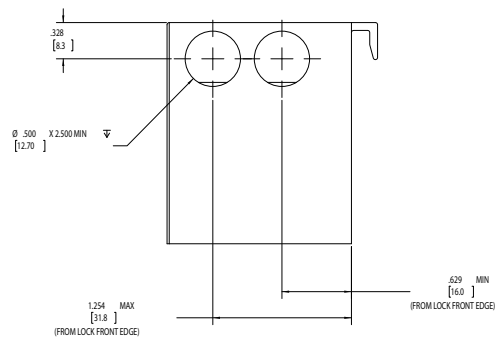
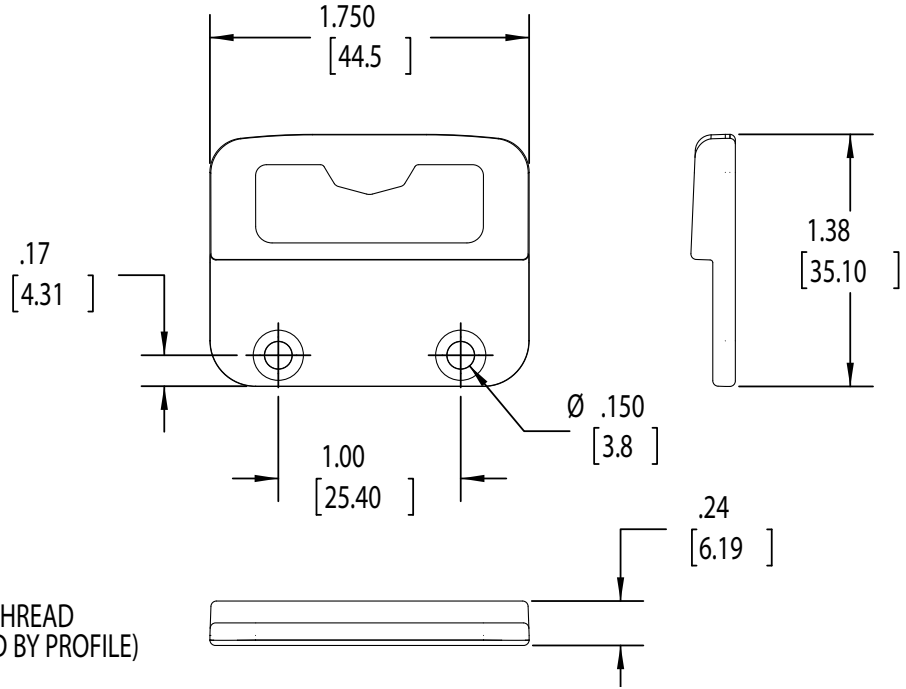


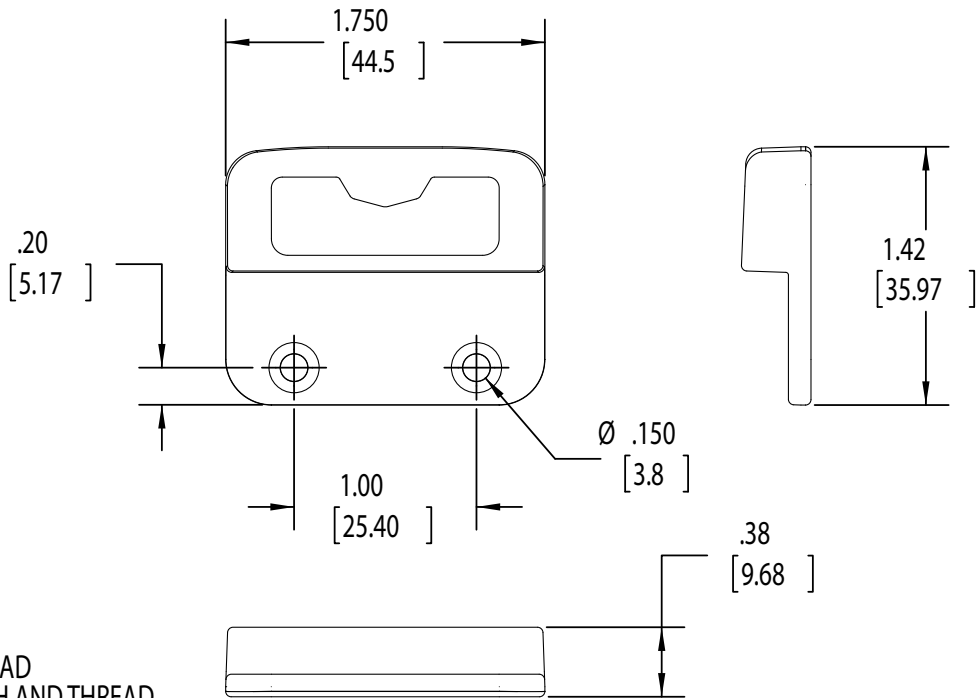
FIG. 15 42052.XX KEEPER



RECOMMENDED SCREWS:

(QTY 2) #6 PHILLIPS FLAT HEAD  
SCREWS (LENGTH AND THREAD  
TYPE TO BE DETERMINED BY PROFILE)

FIG. 16 45674.XX KEEPER



RECOMMENDED SCREWS:

(QTY 2) #6 PHILLIPS FLAT HEAD  
SCREWS (LENGTH AND THREAD  
TYPE TO BE DETERMINED BY PROFILE)

FIG. 17 45678.XX KEEPER

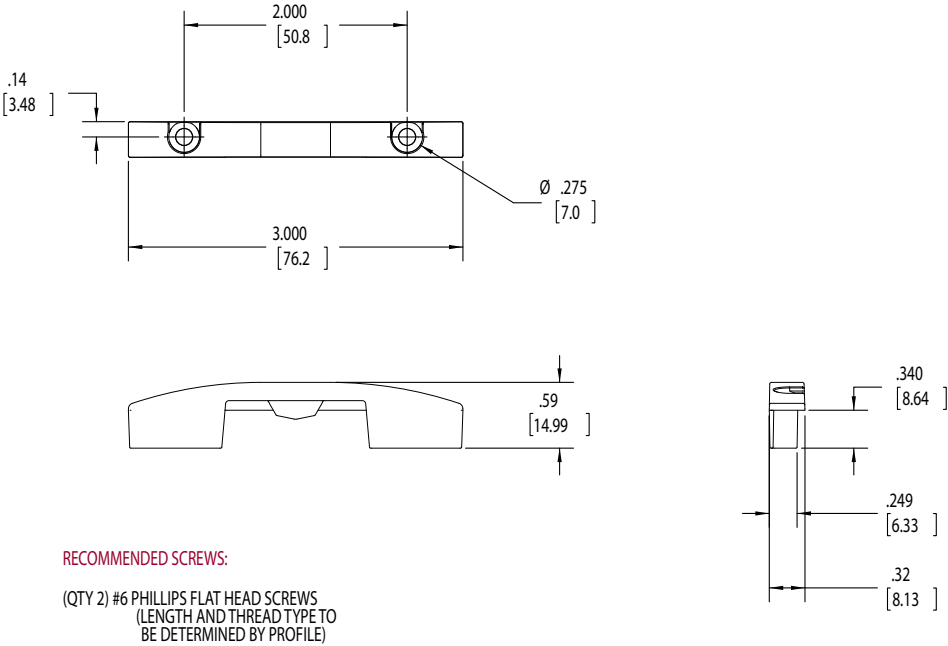


FIG. 18 33676.XX KEEPER

