



Truth Hardware Tilt Latches are designed to provide window manufacturers the highest quality product at a minimum cost. With several variations to choose from, these Tilt Latches are engineered with labor saving and design features to fit virtually every existing window profile in today's marketplace.

MOUNTING OPTIONS

Options include Truth's revolutionary "snap-in" mount and the "hidden mounting fastener", as well as our standard "top mounted" fasteners – each of which affords dependable operation with secure methods for installation. (See following drawings for available options).

WARRANTY:

Protected under the terms of the "Truth Warranty for Window & Door Manufacturers & Authorized Distributors". Refer to Truth's Terms & Conditions for further details

MATERIAL:

Composite assemblies of powder coated cast zinc and/or thermoplastics.

FINISH:

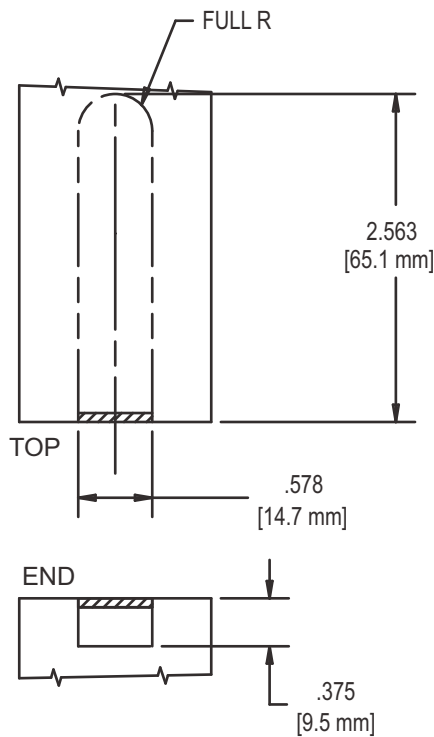
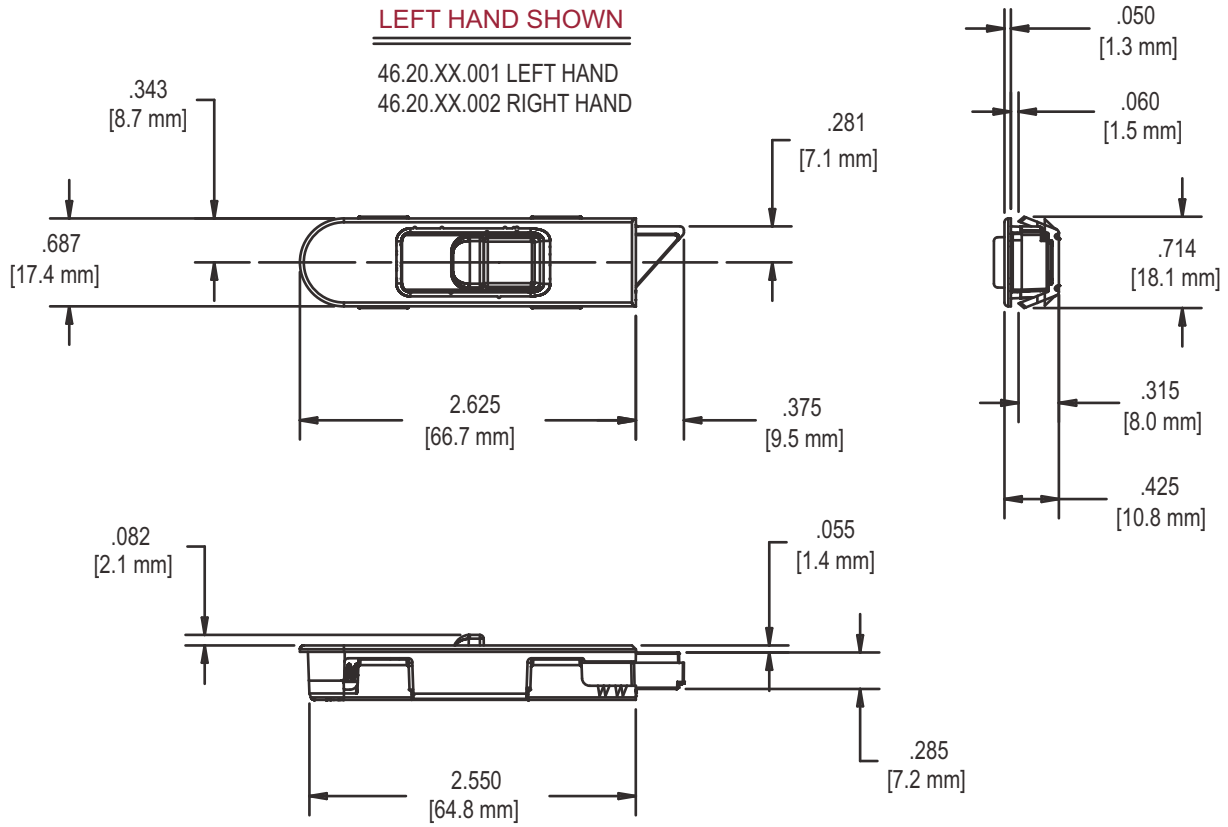
Electrostatically applied, durable coatings that provide excellent resistance to chipping, scratching and corrosion while maintaining color stability for years in direct sunlight. Please refer to Truth's Color Chart for examples of Truth's most popular finish options. Truth also offers a wide range of decorative "plated" finishes – contact Truth for additional information on availability of these finishes on specific product lines.



ORDERING INFORMATION & OPTIONS:

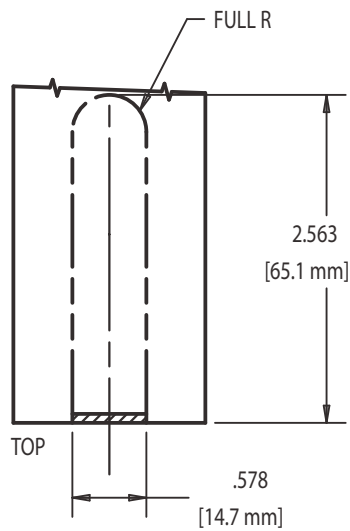
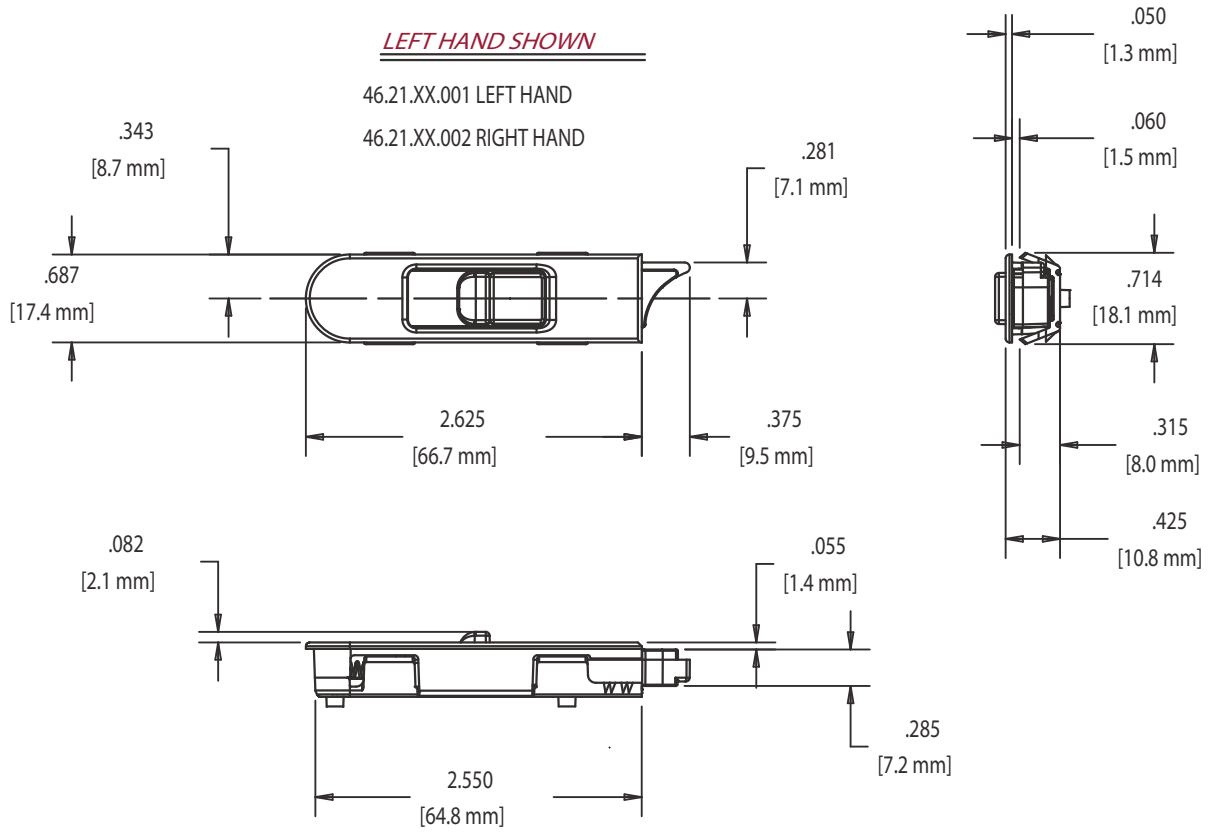
1. Choose Tilt Latch style (specify by part number).
2. Specify left or right hand (if necessary).
3. Order screws required (if necessary).
4. Specify desired finish.

FIG. 1 46.20.XX.001 TILT LATCH



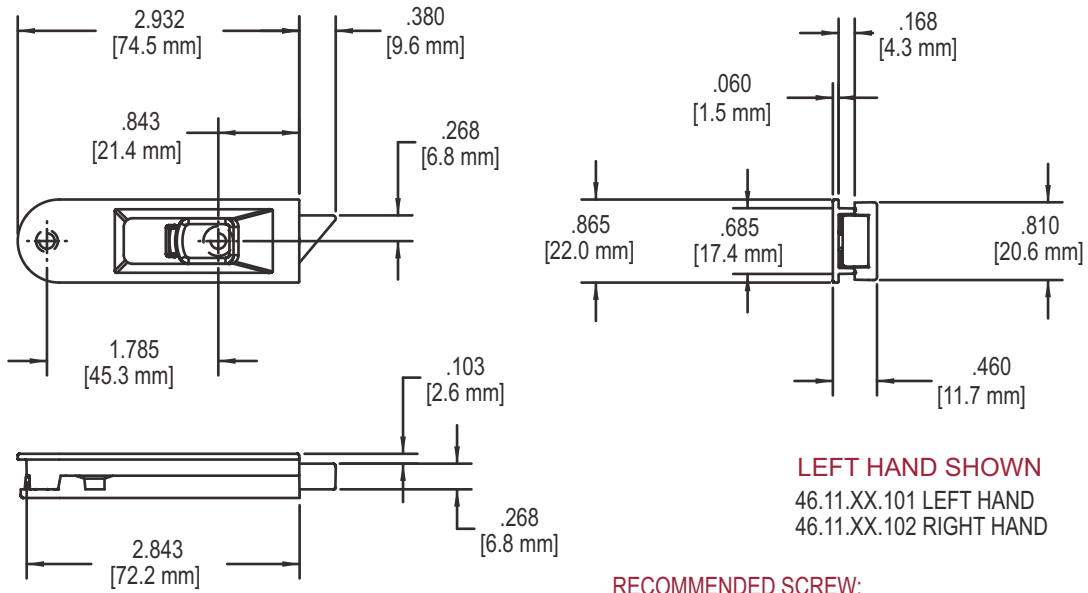
ROUTING DETAIL

FIG. 2 46.21.XX.001 TILT LATCH



ROUTING DETAIL

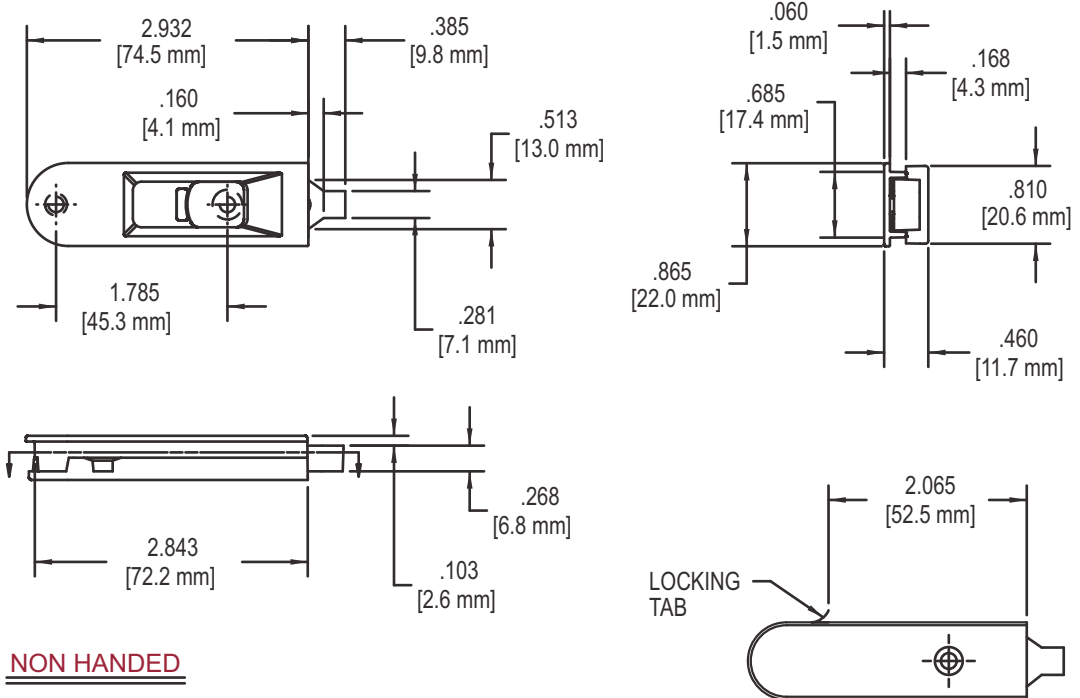
FIG. 3 46.11 TILT LATCH



RECOMMENDED SCREW:

WOOD/PVC: (QTY 2)#8 PHILLIPS FLAT HEAD SCREWS(LENGTH AND THREAD TYPE TO BE DETERMINED BY PROFILE.)

FIG. 4 46.12 TILT LATCH



RECOMMENDED SCREW:

WOOD/PVC: (QTY 2)#8 PHILLIPS FLAT HEAD SCREWS(LENGTH AND THREAD TYPE TO BE DETERMINED BY PROFILE.)

FIG. 5 1038L TILT LATCH (SNAP IN)

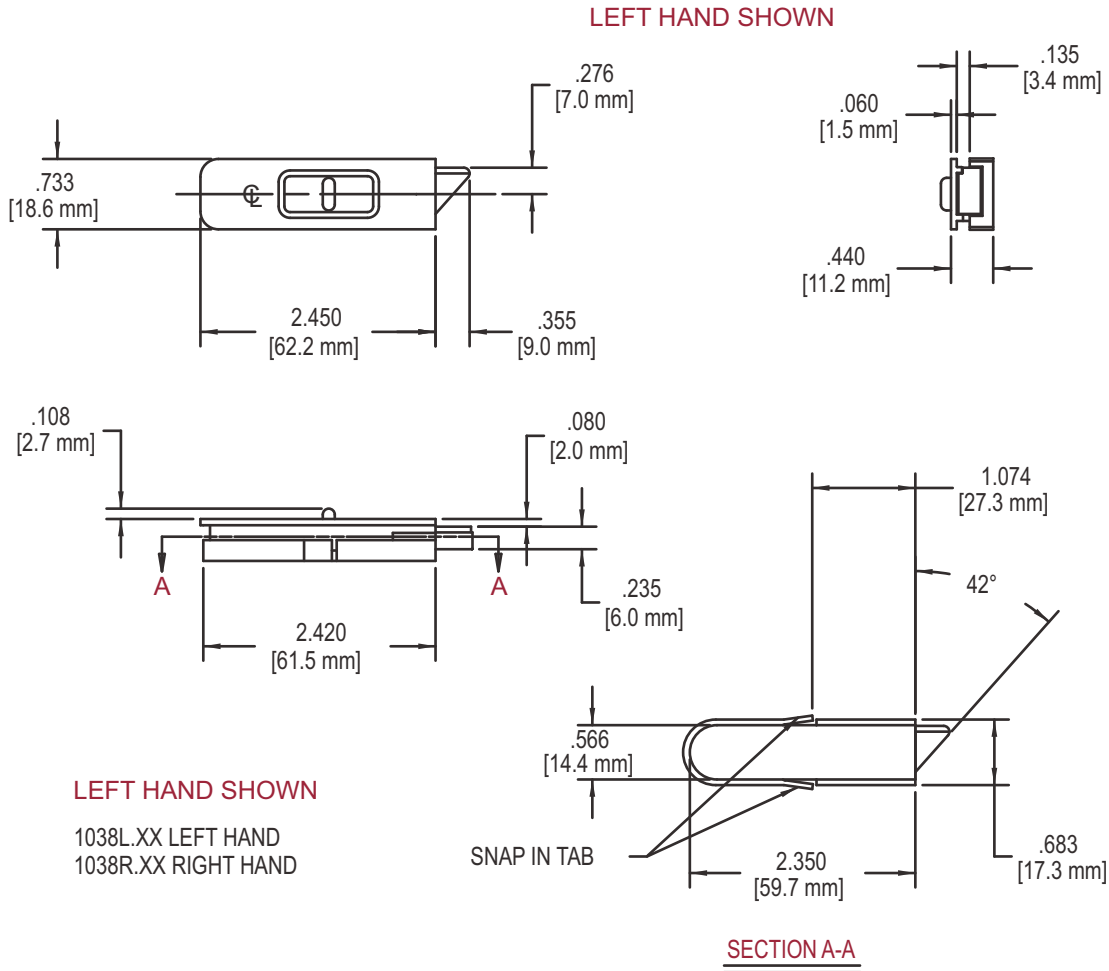
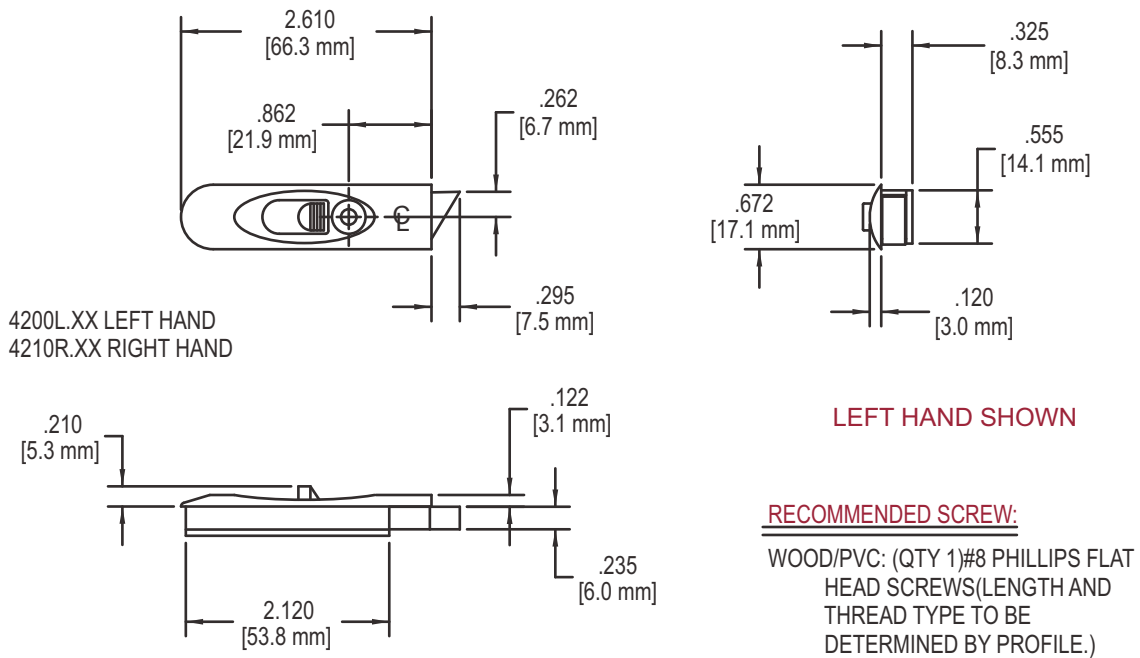
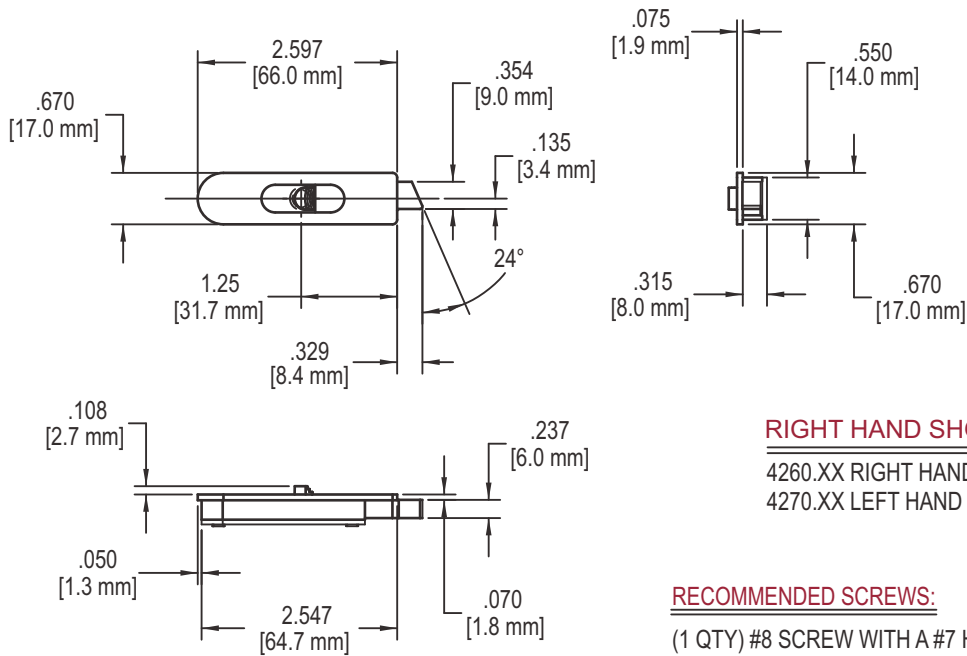


FIG. 6 4200 & 4210 TILT LATCH



TILT LATCHES

FIG. 7 4260 TILT LATCH



RIGHT HAND SHOWN

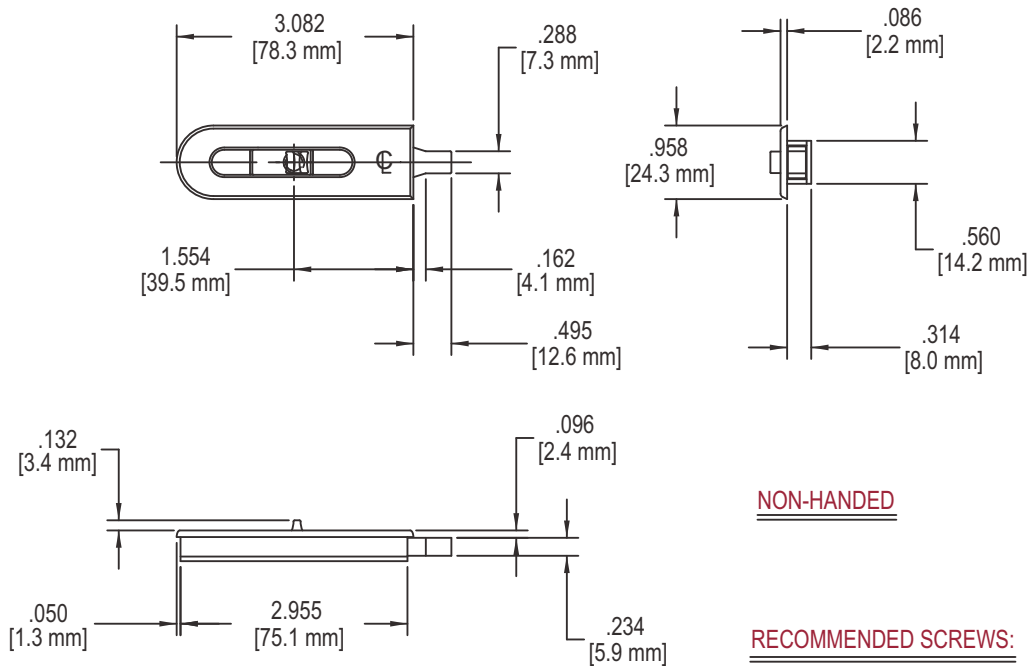
4260.XX RIGHT HAND

4270.XX LEFT HAND

RECOMMENDED SCREWS:

(1 QTY) #8 SCREW WITH A #7 HEAD
(LENGTH AND THREAD TYPE TO BE DETERMINED BY PROFILE)

FIG. 8 4250 TILT LATCH

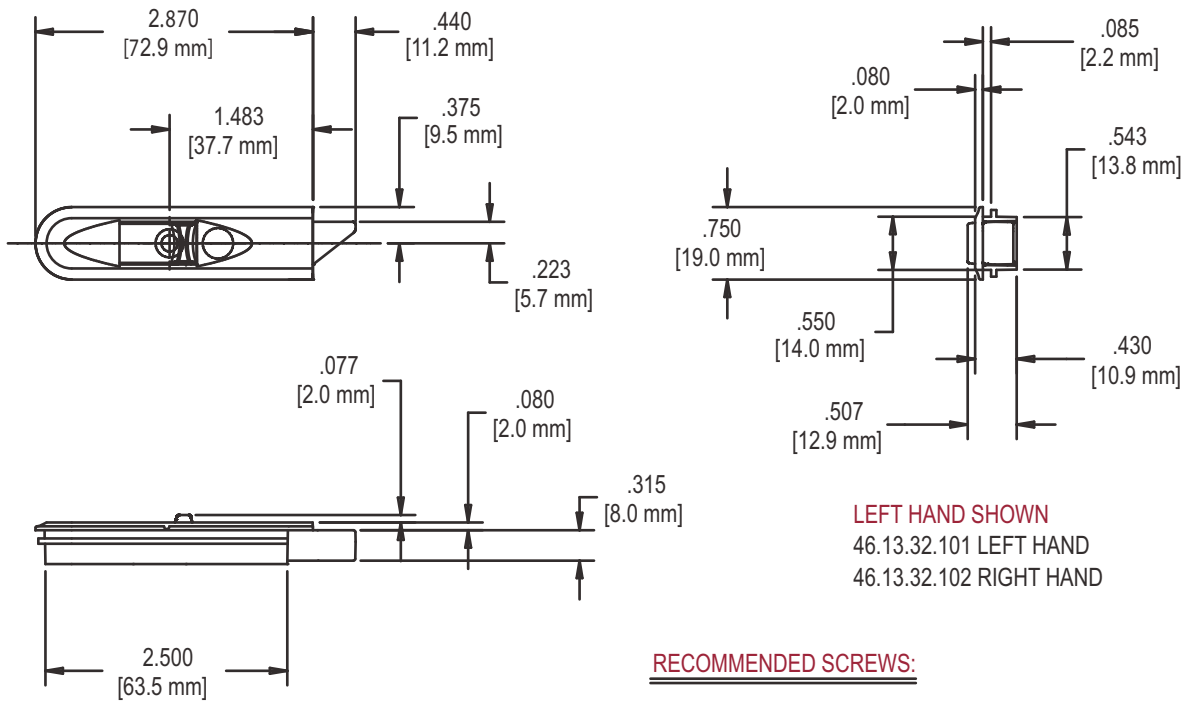


NON-HANDED

RECOMMENDED SCREWS:

(1 QTY) #8 SCREW WITH A #7 HEAD
(LENGTH AND THREAD TYPE TO BE DETERMINED BY PROFILE)

FIG. 9 46.13 TILT LATCH



LEFT HAND SHOWN
 46.13.32.101 LEFT HAND
 46.13.32.102 RIGHT HAND

RECOMMENDED SCREWS:

WOOD/PVC (QTY 1) #6 PHILLIPS FLAT HEAD
 SCREWS (LENGTH AND THREAD TYPE
 TO BE DETERMINED BY PROFILE)

