

FIG. 25 14232 KEYS ONLY

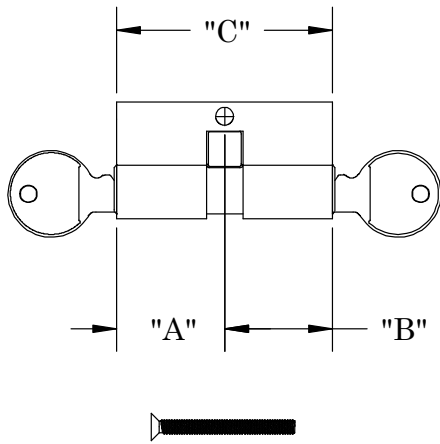
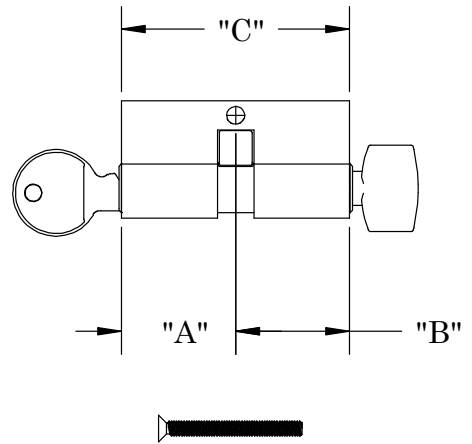


FIG. 26 14231 THUMB TURN AND KEY



PART NO.	"A"	"B"	"C"
14231	1.08 [27.5]	1.08 [27.5]	2.16 [54.9]
14232	1.25 [31.8]	1.25 [31.8]	2.50 [63.5]

ASCENT EURO GROOVE LOCKING SYSTEM

FIG. 27 TALL KEEPER 14047

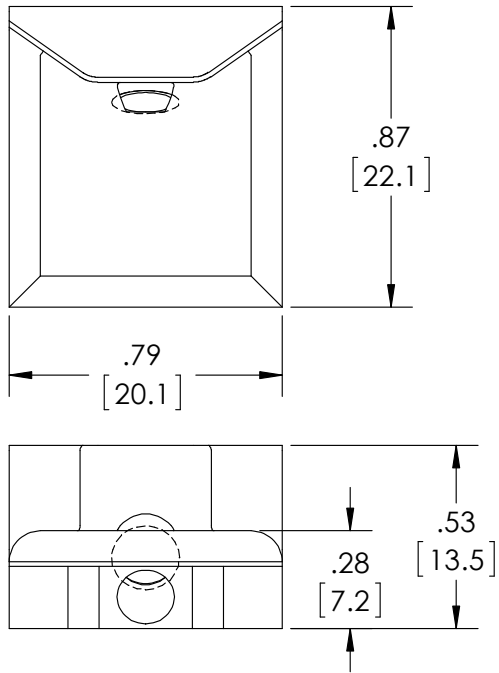


FIG. 28 SHORT KEEPER 14048

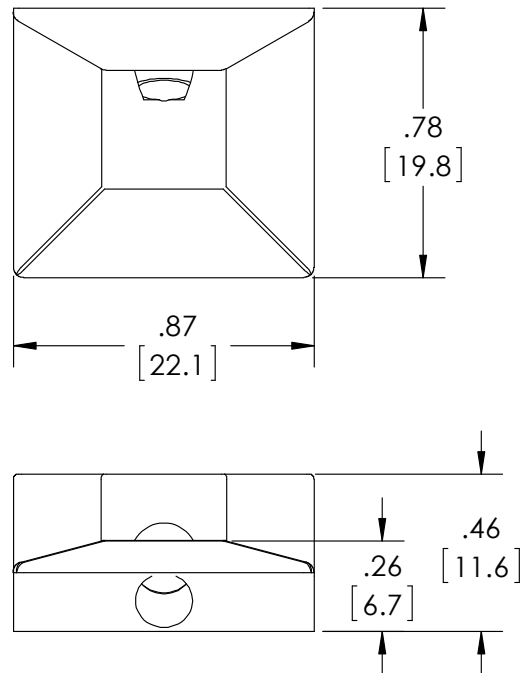
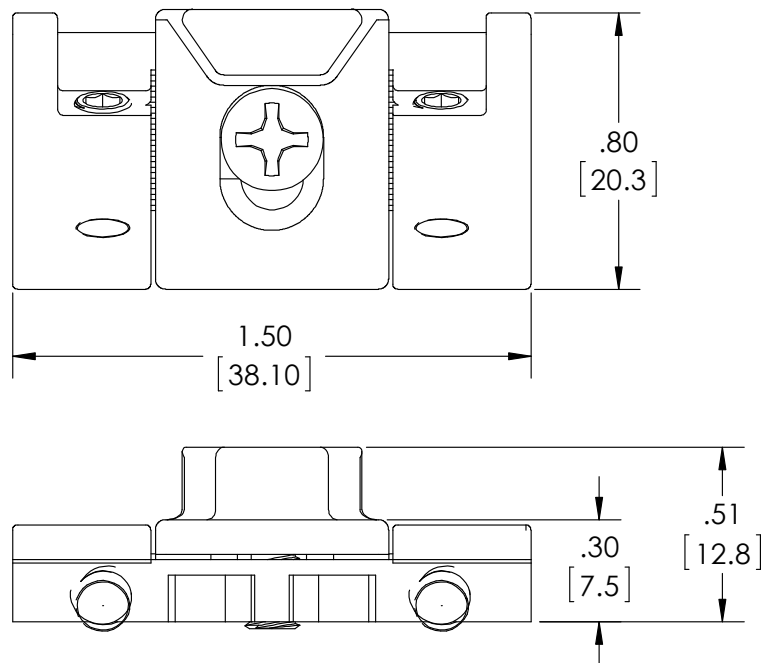


FIG. 29 ADJUSTABLE KEEPER 14064



**ASCENT EURO GROOVE
LOCKING SYSTEM**