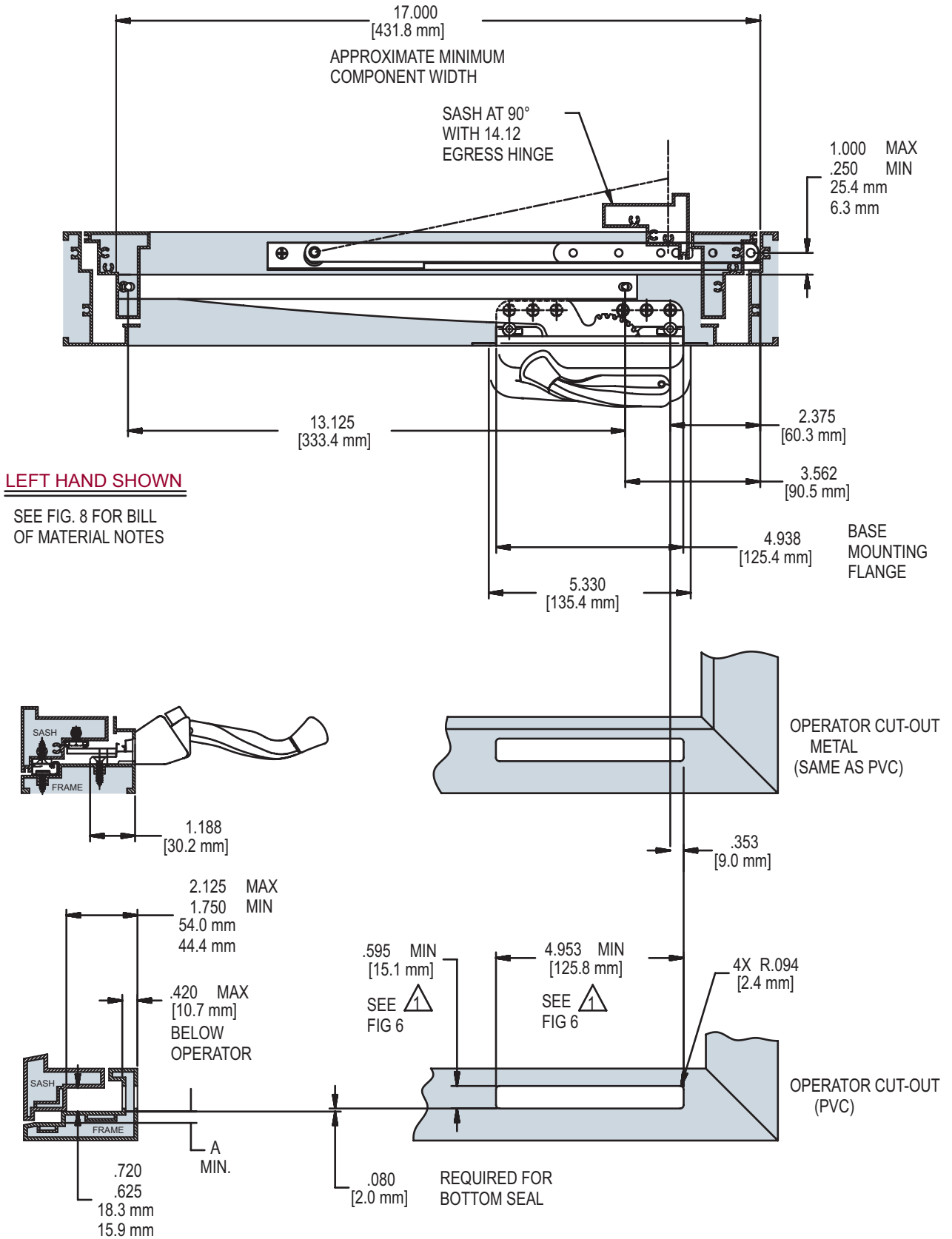
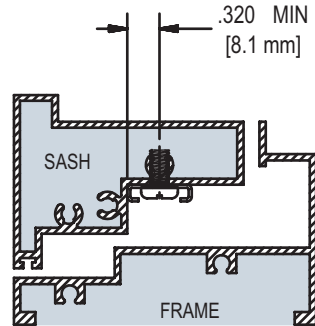


**FIG. 7 APPLICATION OF ENCORE SINGLE ARM OPERATOR (SILL MOUNT VERSION) (LOW PROFILE)**



# ENCORE™ SINGLE ARM OPERATORS (LOW PROFILE)

FIG. 8 APPLICATION OF ENCORE SINGLE ARM OPERATOR CONTINUED  
(SILL MOUNT VERSION)  
(LOW PROFILE)



## 30175 TRACK PLACEMENT

HARDWARE SHOWN FOR LEFT HAND WINDOW, SEE FIG. 7	
PART NUMBER	DESCRIPTION
52.13.00.011	SINGLE ARM OPERATOR
30175	TRACK
14.12.00.XXX	EGRESS HINGE
12614.XX	TANGO HANDLE/COVER PACK
32658	GASKET

HINGE	"A"
14.12.00.XXX	.322 [8.2 mm]
OTHER 14 SERIES CASEMENT HINGES	.275 [7.0 mm]

NOTE:

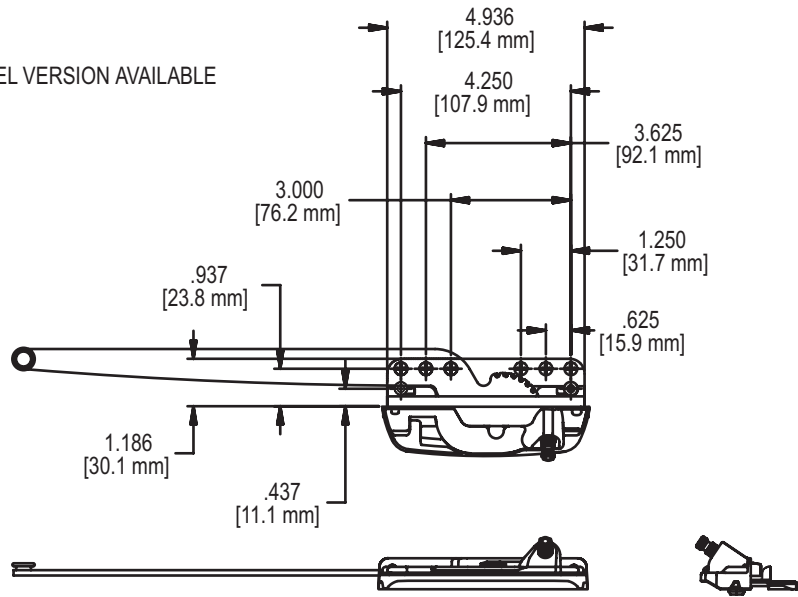
1. HOLD THIS DIMENSION AS CLOSE TO THE MINIMUM AS MANUFACTURING TOLERANCES ALLOW. A CLOSE FITTING CUT-OUT HELPS TO STABILIZE THE OPERATOR AGAINST ROCKING

2. GASKET 32658 IS REQUIRED ON PVC AND METAL PROFILES FOR AN IMPROVED AIR AND WATER SEAL

**FIG. 9 ENCORE SINGLE ARM OPERATOR (SILL MOUNT VERSION) (LOW PROFILE)**

STAINLESS STEEL VERSION AVAILABLE

52.13.XX.011 LEFT HAND SHOWN

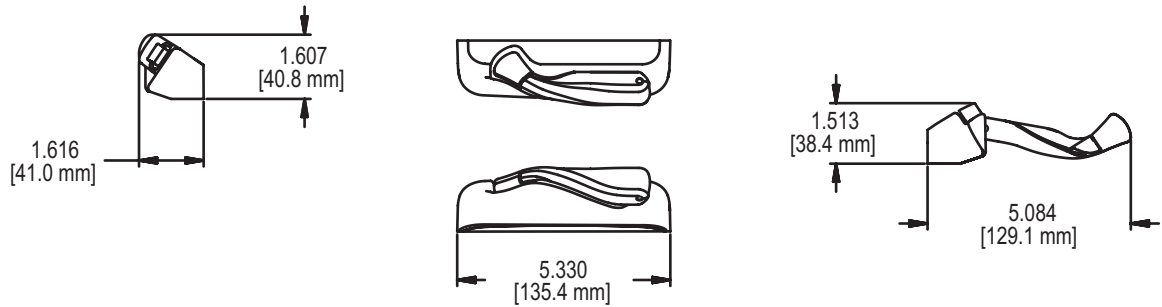


RECOMMENDED SCREWS:

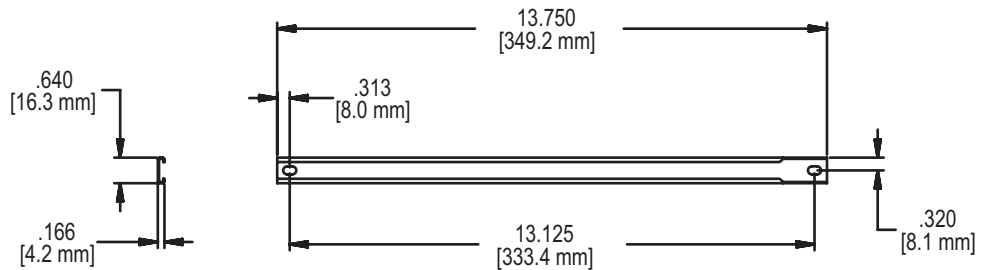
(QTY 6)(PN 19240.XX)#8 X 1 FLAT HEAD SHEET METAL (SEE TRUTH TIPS FOR MORE INFORMATION)

(QTY 2)REAR MOUNT:#8-32 X 3/8 PAN HEAD MACHINE SCREW PN 19545.XX

**FIG. 10 ENCORE TANGO HANDLE/COVER 12614.XX(LH) (SHOWN) 12616.XX(RH)**



**FIG. 11 TRACK 30175**



RECOMMENDED SCREWS:

(QTY 2)(PN 19214.XX)#8 X 1 FLAT HEAD SHEET METAL (SEE TRUTH TIPS FOR MORE INFORMATION)