



Truth Hardware offers a variety of tension spring rollers for use on screen door systems. Available with high quality radial ball bearing-equipped rollers and nylon wheels for long lasting quiet performance these rollers encompass Truth Hardware's unique advantage in that we manufacture our own ball bearings. This allows Truth complete control over all aspects of design and production of our roller assemblies. While others may use soft stamped metal parts in the production of their wheels, Truth's bearing raceways are machined from solid steel bar stock and then plated for corrosion resistance. This method provides the longest lasting true running rollers capable of carrying the heaviest loads.

WARRANTY: Protected under the terms of the "Truth Warranty for Window & Door Manufacturers & Authorized Distributors". Refer to Truth's Terms & Conditions for further details.

ORDERING INFORMATION AND OPTIONS:

Choose the style of rollers desired from the following drawings which best suits your application. Contact Truth Hardware Technical Services Department if assistance is needed.

TRUTH TIPS:

1. Most screen door rollers have a tension spring to apply downward pressure to keep the roller on track should the screen door be inadvertently lifted during operation.
2. Some screen door roller models are available with a retention dimple. Retention dimples retain the roller in a collapsed position to aid in installation.

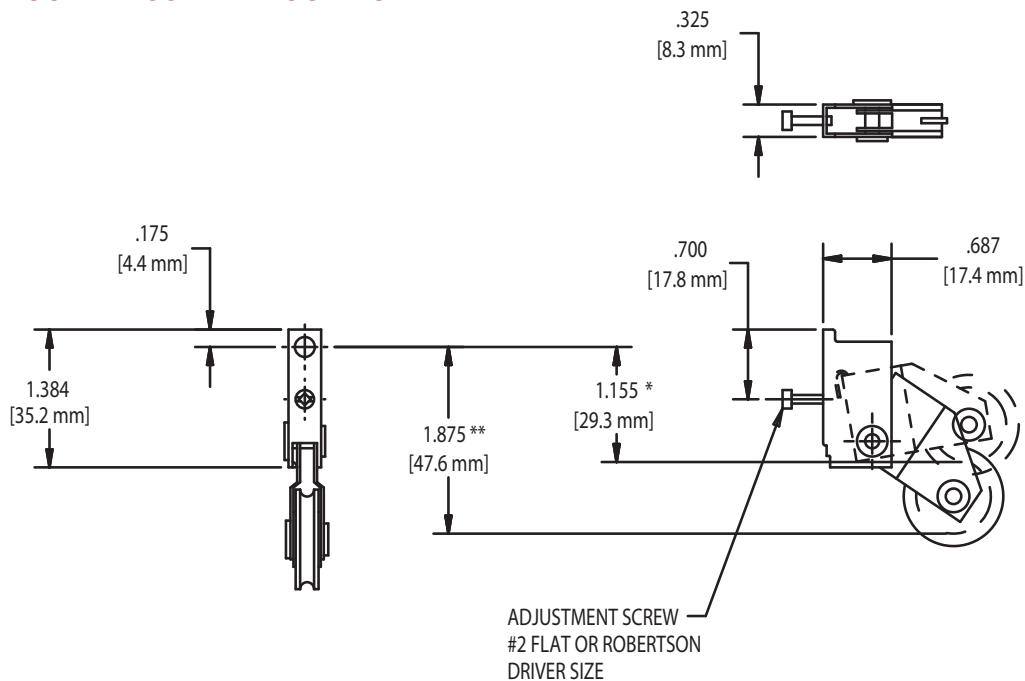
RECOMMENDED SCREWS:

Types of screws required determined by material of profile used. Refer to drawings for complete information on screw type and quantity needed (sold separately).



SCREEN ROLLERS

FIG. 1 END MOUNTED SCREEN DOOR ROLLER



*FULLY RETRACTED WHEEL POSITION-DIMENSION IS TO INSIDE WHEEL RADIUS

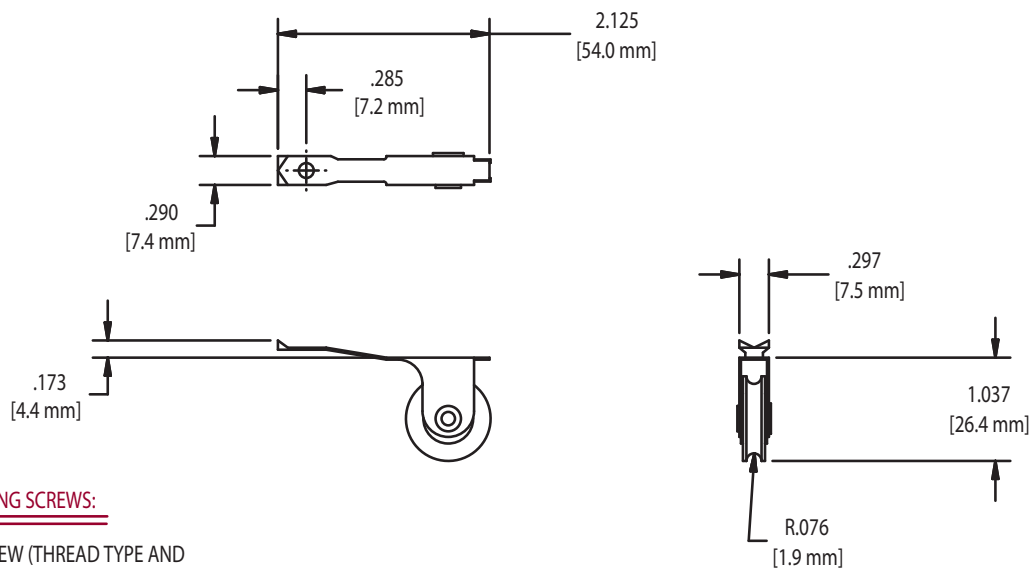
**FULLY EXTENDED WHEEL POSITION-DIMENSION IS TO INSIDE WHEEL RADIUS

RECOMMENDED FASTENERS:

(QTY 1) 3/16 POP RIVET. GRIP RANGE TO SUIT APPLICATION

P/N	SPRING LOADED	RETENTION DIMPLE (SEE TRUTH TIPS)
NS282	YES	YES
NS285	YES	NO
NS288	NO	YES

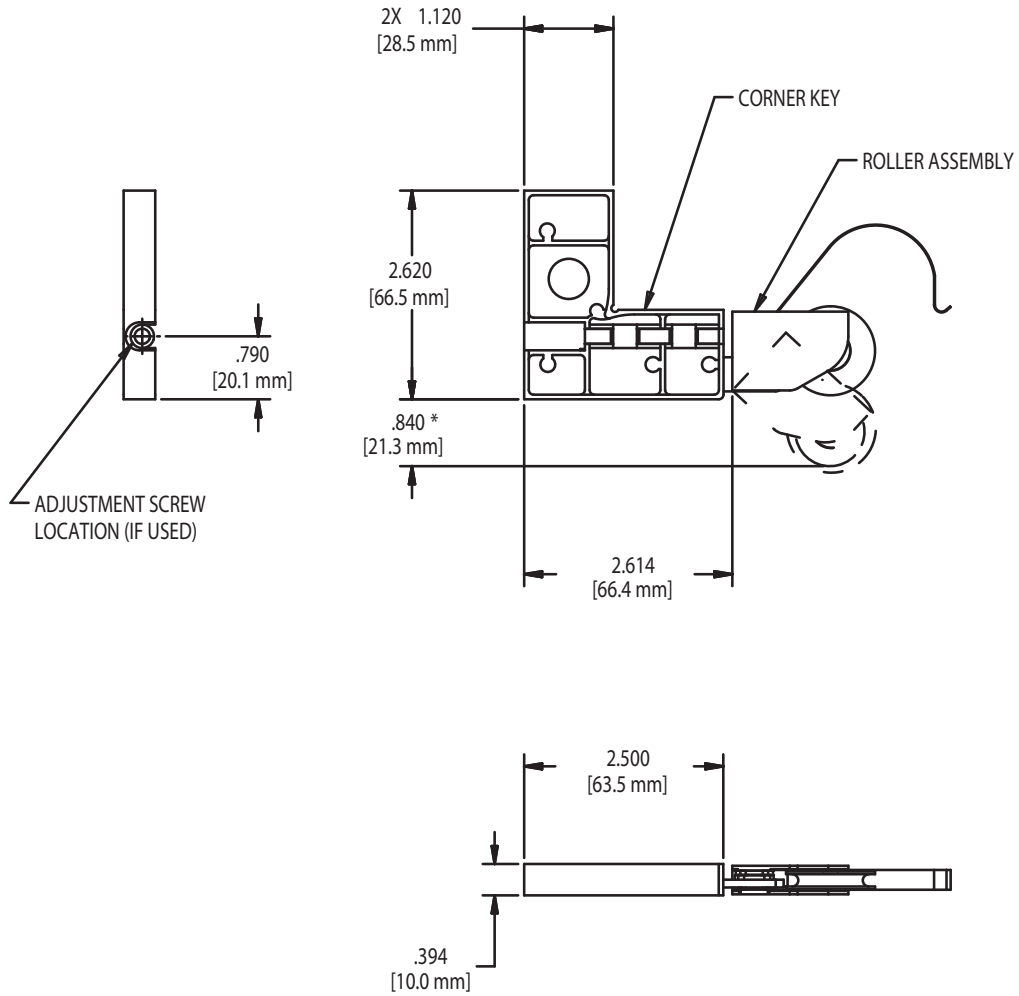
FIG. 2 NS760 SCREEN DOOR ROLLER



RECOMMENDED MOUNTING SCREWS:

(QTY 1) #6 PAN HEAD SCREW (THREAD TYPE AND LENGTH TO BE DETERMINED BY APPLICATION)

FIG. 3 500 SERIES CORNER KEY COMBINATION ROLLER



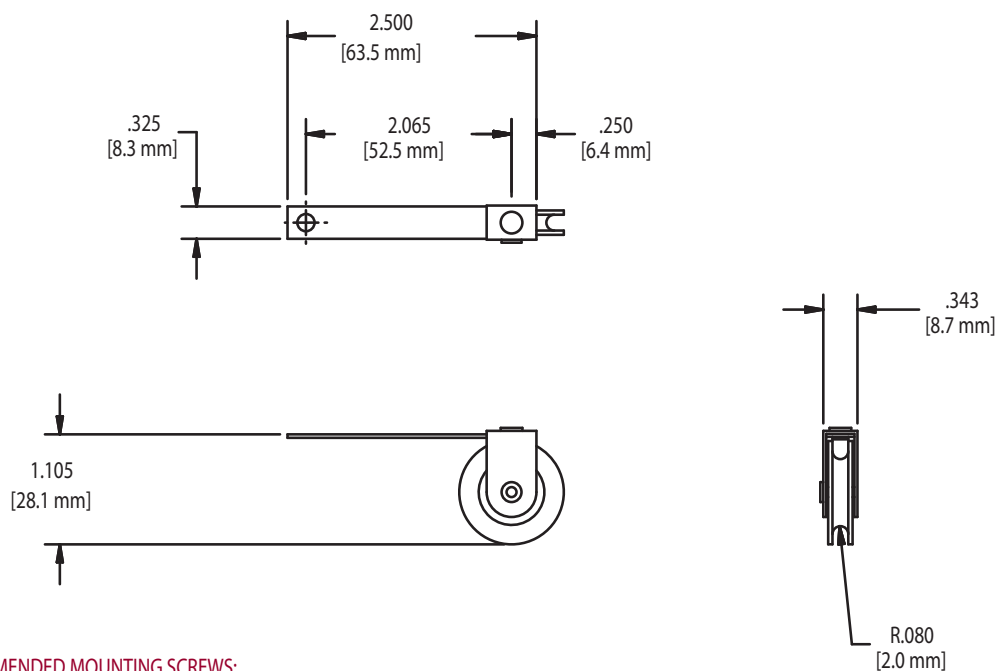
*FULLY EXTENDED WHEEL POSITION-DIMENSION IS TO INSIDE OF WHEEL RADIUS

DESCRIPTION	ORDER NUMBER
CORNER KEY ONLY	RS503
CORNER KEY W/ROLLER*	RS502 & SS500

*ADJUSTMENT SCREW INCLUDED (SUPPLIED WITH ROBERTSON DRIVE UNLESS OTHERWISE SPECIFIED)

SCREEN ROLLERS

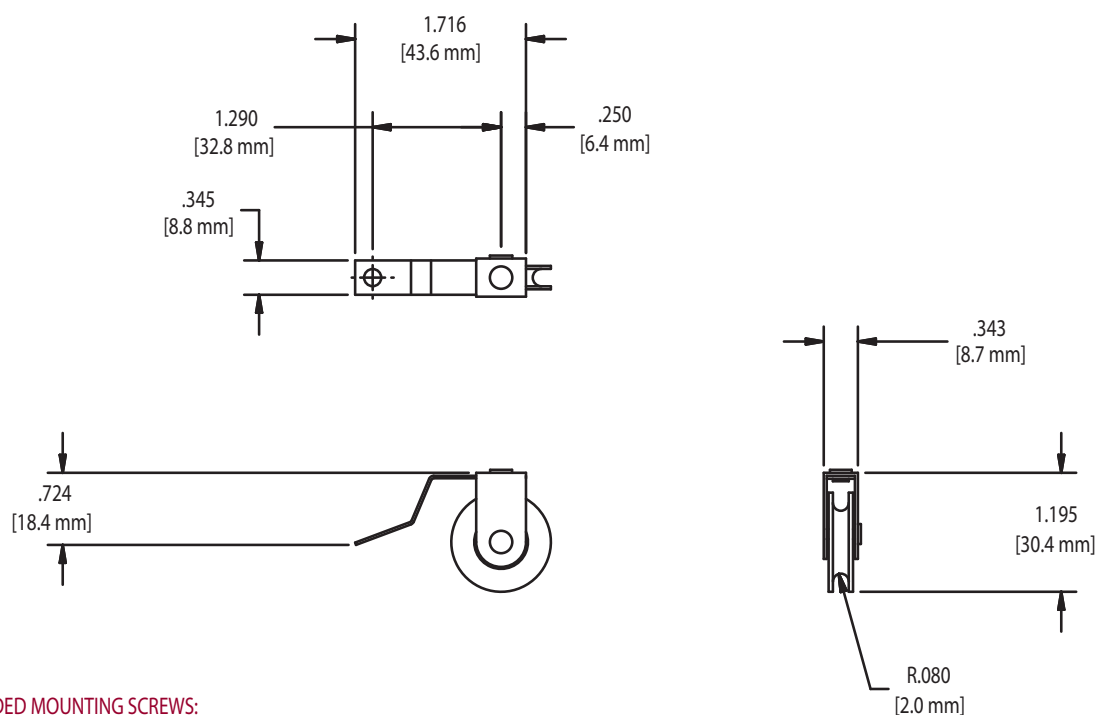
FIG. 4 4521-1061 SCREEN DOOR ROLLER



RECOMMENDED MOUNTING SCREWS:

(QTY 1) #8 PHILLIPS PAN HEAD SCREW (LENGTH AND
THREAD TYPE TO BE DETERMINED BY APPLICATION)

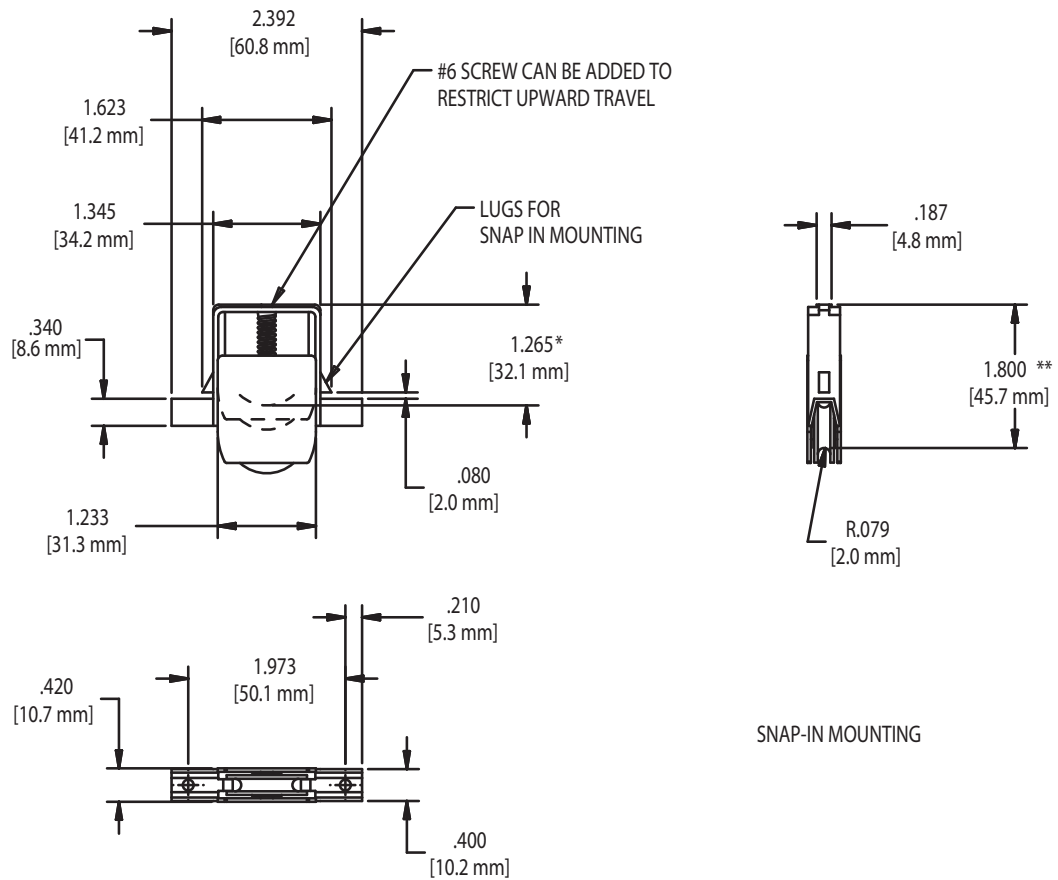
FIG. 5 4639-1061 SCREEN DOOR ROLLER



RECOMMENDED MOUNTING SCREWS:

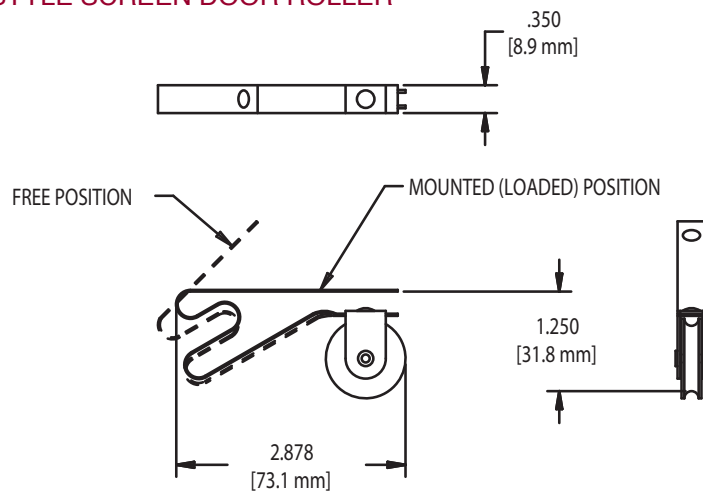
(QTY 1) #8 PHILLIPS PAN HEAD SCREW (LENGTH AND
THREAD TYPE TO BE DETERMINED BY APPLICATION)

FIG. 6 4518-1000 SCREEN DOOR ROLLER



*FULLY RETRACTED WHEEL POSITION-DIMENSION IS TO INSIDE WHEEL RADIUS
 **FULLY EXTENDED WHEEL POSITION-DIMENSION IS TO INSIDE WHEEL RADIUS

FIG. 7 4512-3042 "M" STYLE SCREEN DOOR ROLLER



RECOMMENDED MOUNTING SCREWS:

(QTY 1) #10 PHILLIPS PAN HEAD SCREW (LENGTH AND THREAD TYPE TO BE DETERMINED BY APPLICATION)

